

4

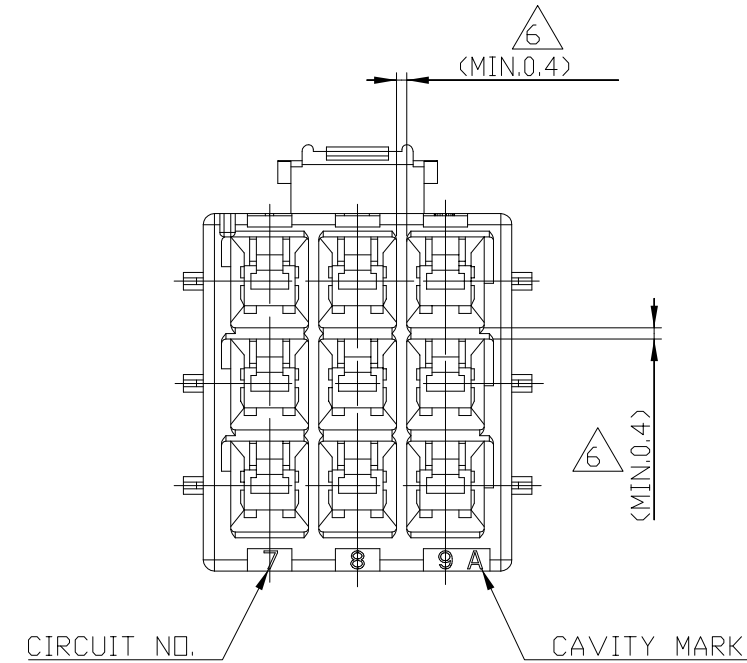
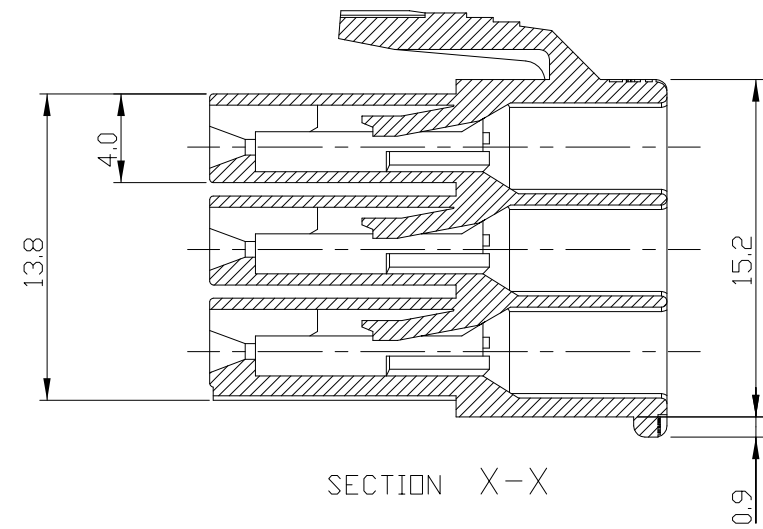
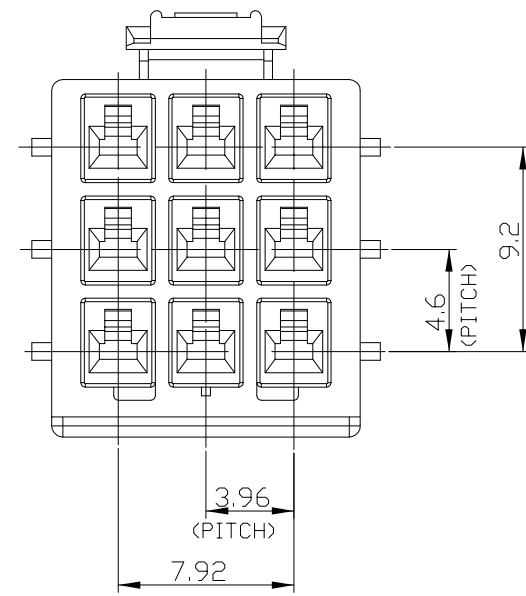
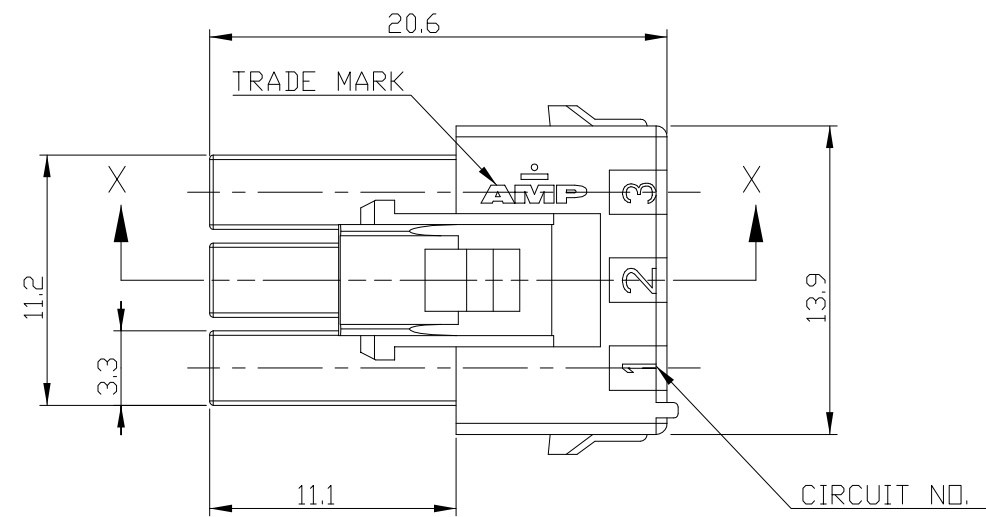
3

2

1

THIS DRAWING IS UNPUBLISHED. RELEASED FOR PUBLICATION 20  
© COPYRIGHT 20 BY TYCO ELECTRONICS CORPORATION. ALL RIGHTS RESERVED.

LOC	DIST	REVISIONS					
DS	-	P	LTR	DESCRIPTION	DATE	DWN	APVD
		A		RELEASED	01.OCT'09	SC	JK



NOTE;  
 1.APPLICABLE CONTACT P/N  
 -REC CONTACT:177915- □(AWG#16-#20)  
 :177914- □(AWG#22-#26)  
 2.MATING CONN.P/N  
 -TAB CONTACT:177917- □(AWG#16-#20)  
 177916- □(AWG#22-#26)  
 3.APPLICABLE DOUBLE LOCK PLATE:177919- □  
 \*IT SHOULD BE USED CERTAINLY WHEN CABLE ASS'Y  
 4.GENERAL TOLERANCES:±0.3  
 5.ACCORDING TO IEC 60335-1 4.2 EDITION  
 -PART MEETS GWT 750°& 850°C.  
 -MATERIAL MEETS BALL PRESSURE TESTING AT 125°C.  
 -MATERIAL HAS CTI VALUE OF 250V.  
 6.MIN.THICKNESS OF INSULATING WALL

2005254-6	BLUE
2005254-4	YELLOW
2005254-1	NATURAL
P/N	COLOR

THIS DRAWING IS A CONTROLLED DOCUMENT FOR TYCO ELECTRONICS CORPORATION IT IS SUBJECT TO CHANGE AND THE CONTROLLING ENGINEERING ORGANIZATION SHOULD BE CONTACTED FOR THE LATEST REVISION.		DWN SC KIM		AMP KOREA Kyungsan, Korea	
DIMENSIONS: mm		CHK BW KANG		NAME	
TOLERANCES UNLESS OTHERWISE SPECIFIED:		APVD JK SONG		PDL 9P PLUG HSG 3.96mm T/R (GWT)	
0 PLC ±-		PRODUCT SPEC 108-61106		SIZE CAGE CODE DRAWING NO RESTRICTED TO	
1 PLC ±0.1		APPLICATION SPEC -		A3 00779 C- 2005254 -	
2 PLC ±0.01		WEIGHT -		SCALE 3:1 SHEET 1 OF 1 REV A	
3 PLC ±0.001		CUSTOMER DRAWING			
4 PLC ±0.0001					
ANGLES ±-					
MATERIAL PA66 (UL94V-0)		FINISH -			