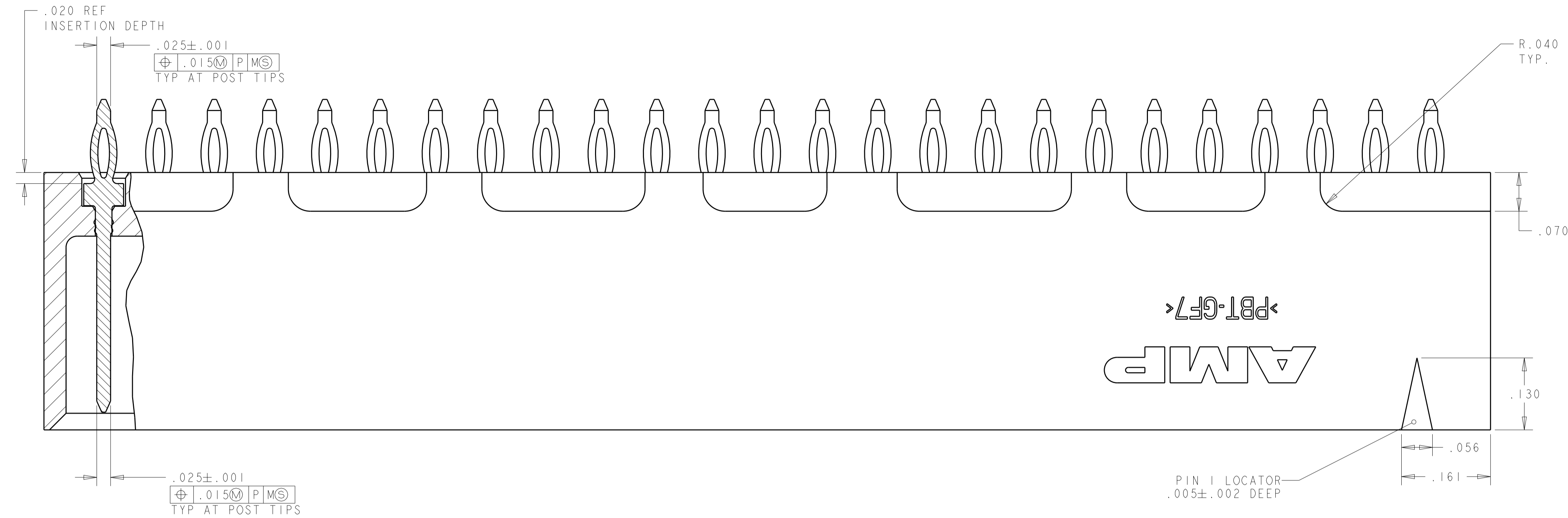
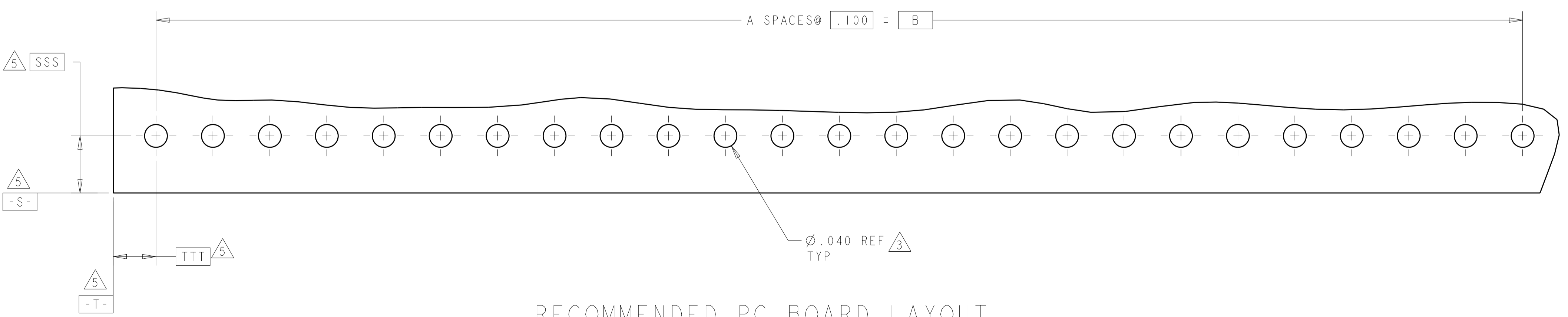
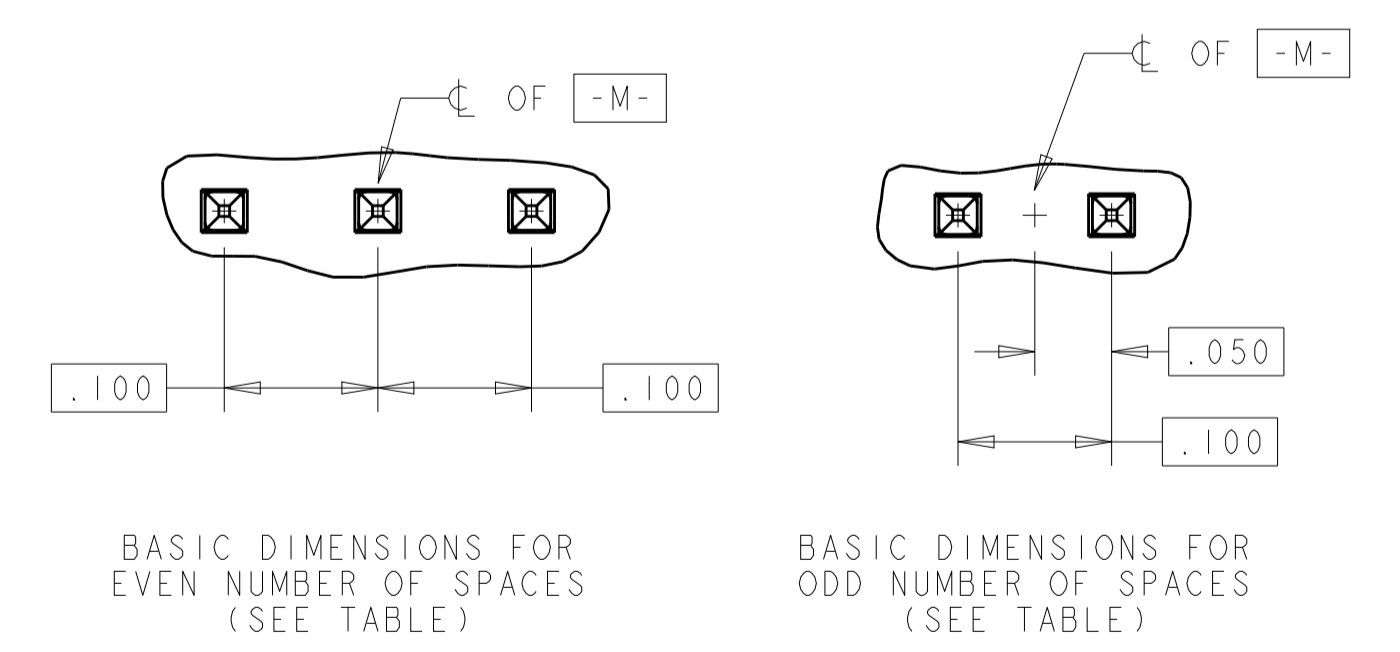
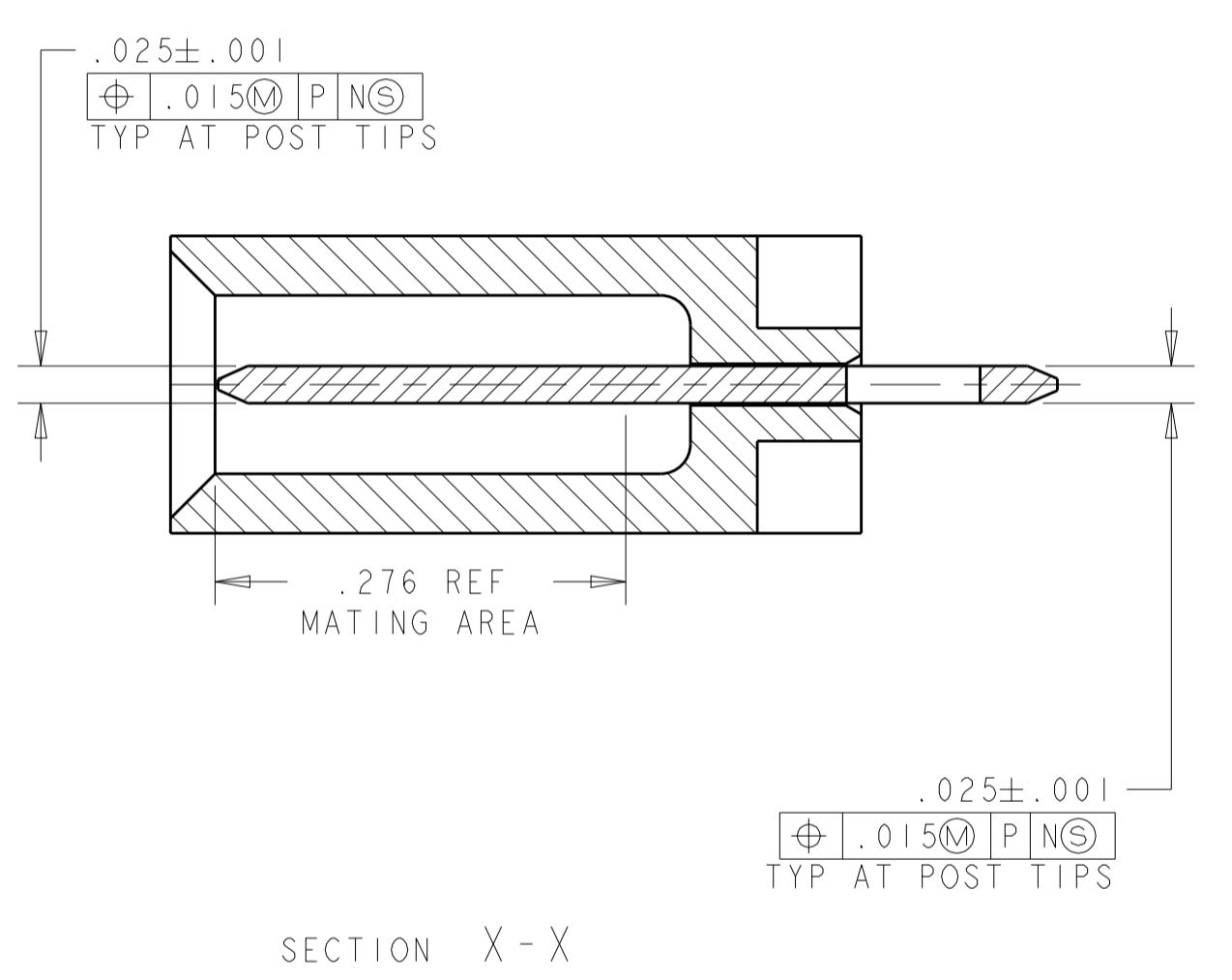
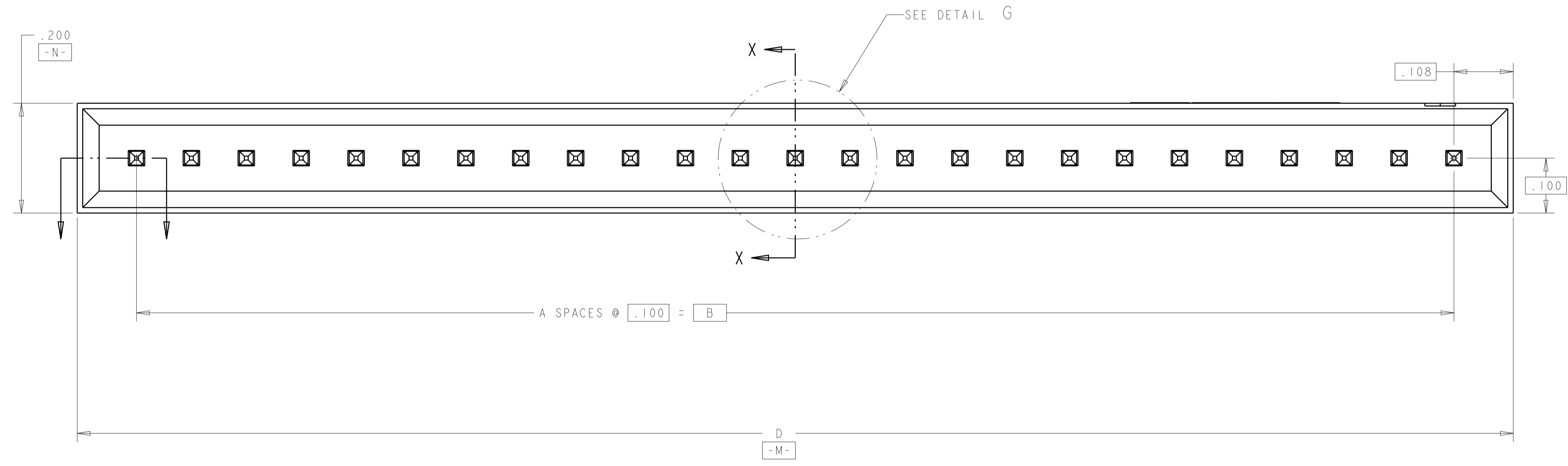


LOC	DIST	REVISIONS			
AD	00	REV	DATE	BY	APP'D
		H1	REVISED PER ECO-12-011614	29JUN2012	KH MM



- 1 MATERIAL:  
HOUSING: PBT, FLAME RETARDANT THERMOPLASTIC, (UL 94V-0), COLOR: BLACK  
POSTS: COPPER ALLOY
- 2 FINISH:  
POSTS: .000030 MIN GOLD ON MATING AREA, .000100-.000200 TIN-LEAD ON EYE OF NEEDLE, ALL OVER .000050 MIN. NICKEL.
- 3 PCB HOLE RECOMMENDATIONS:  
A. DRILL HOLE DIAMETER TO BE .0453±.001  
B. PLATING TO BE .0003 MIN TIN-LEAD OVER .001-.003 COPPER.  
C. RECOMMENDED FINISH HOLE SIZE IS .037-.043
- 4 INSERTION FORCE PER PIN < 16 LBS.
- 5 DATUMS AND BASIC DIMENSIONS ESTABLISHED BY CUSTOMER
- 6 PRELIMINARY PART - NOT RELEASED FOR PRODUCTION
- 7. FOR A NOMINAL DRILL HOLE DIAMETER OF .0453, THE AVERAGE INSERTION FORCE (PER PIN) IS 10.1 LBS AND THE AVERAGE RETENTION FORCE (PER PIN) IS 8.2 LBS
- 8 FINISH:  
POSTS: .000030 MIN GOLD ON MATING AREA, .000100-.000200 TIN ON EYE OF NEEDLE, ALL OVER .000050 MIN. NICKEL.



RECOMMENDED PC BOARD LAYOUT

DETAIL G SCALE 8:1

D	C	B	A	NO OF POSN	PART NUMBER
2.616	2.536	2.400	24	25	5-147473-2
2.616	2.536	2.400	24	25	147473-2
1.116	1.036	.900	9	10	147473-1

THIS DRAWING IS A CONTROLLED DOCUMENT.

DW	D. FABIAN	07SEP00
CHK	J. LANDIS	10OCT00
APP'D	J. LANDIS	10OCT00

TE Connectivity

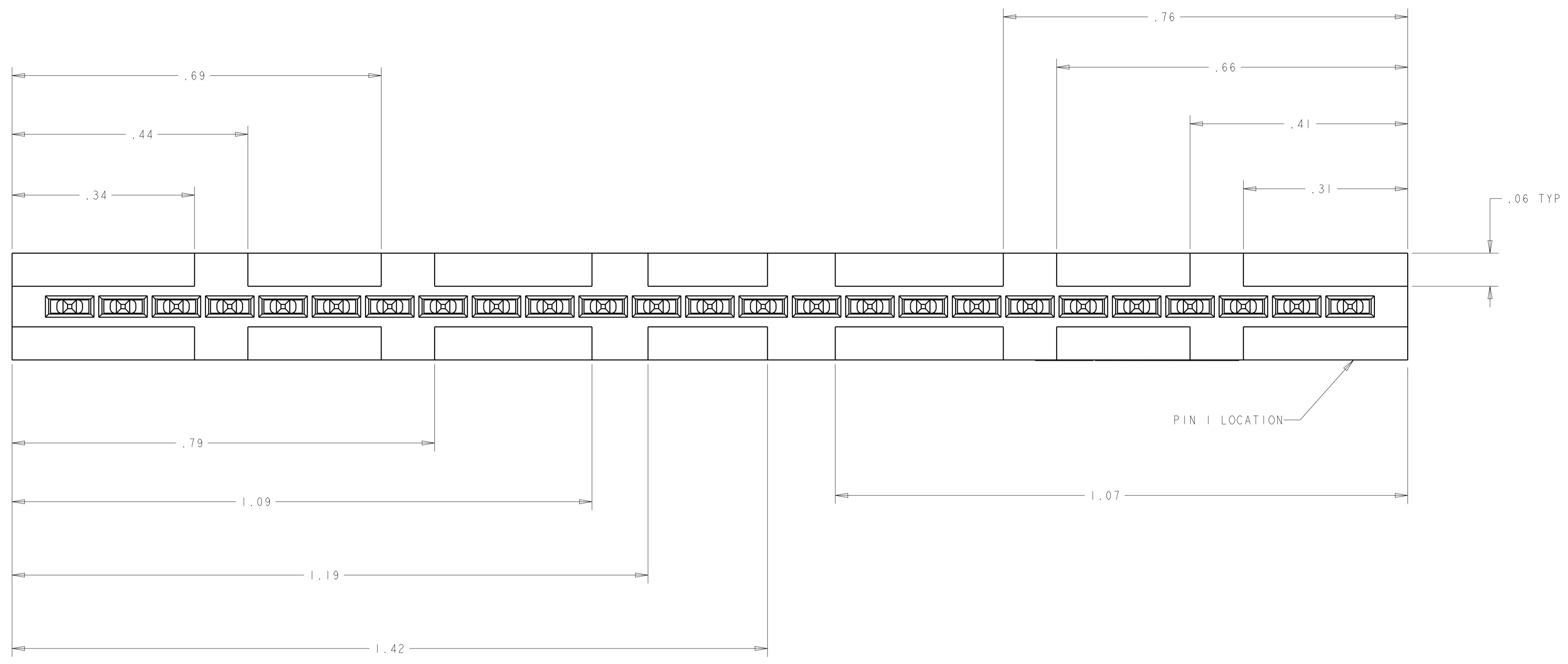
ASSEMBLY, PRESS-FIT HEADER  
SINGLE ROW, .100 CL,  
4 SIDED SHROUD

SCALE 8:1 SHEET 1 OF 2 REV HI

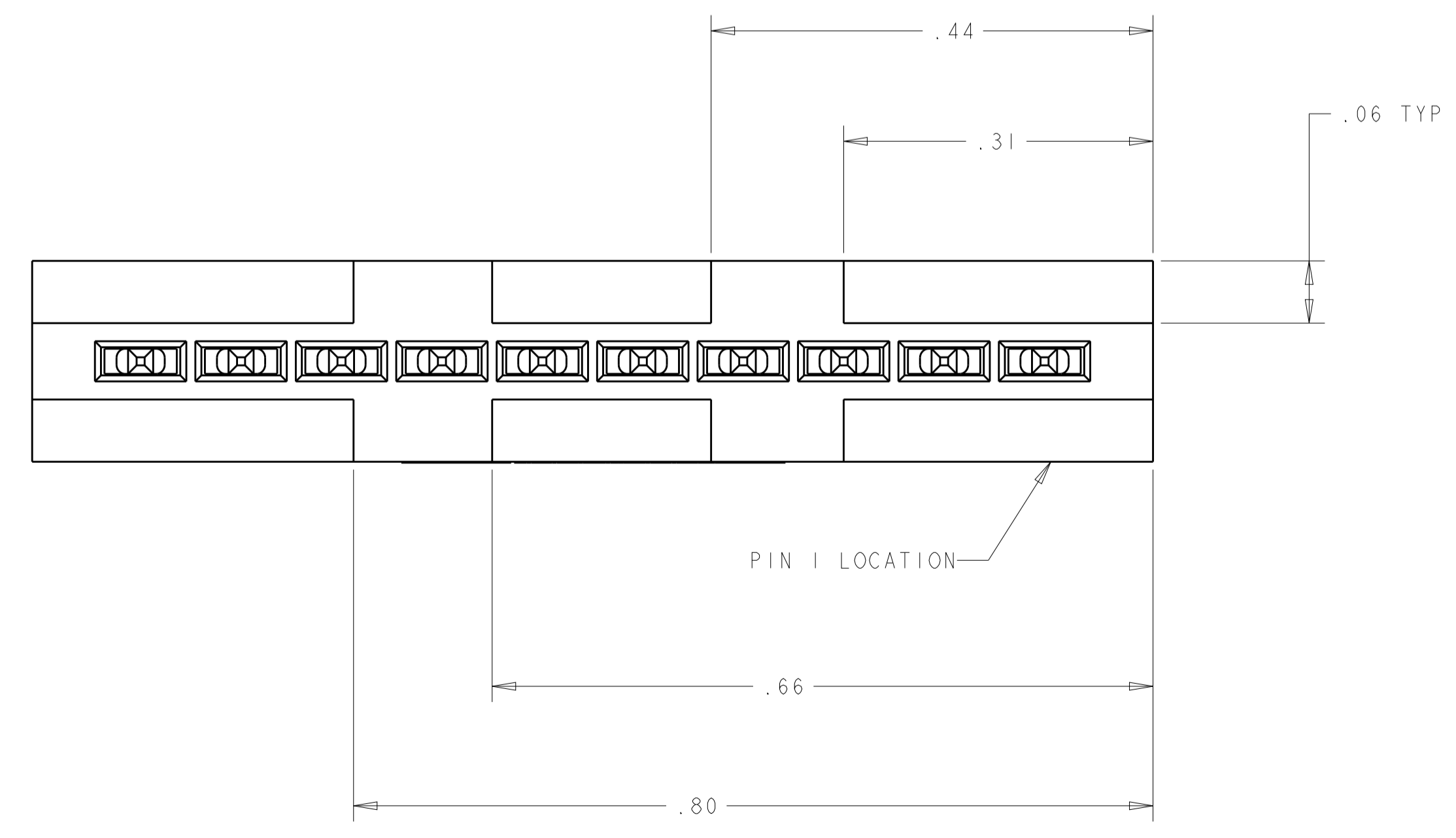
LOC	DIST	REV	DATE	BY	APPV
AD	00				

REVISIONS					
REV	DATE	BY	APPV	DESCRIPTION	DATE
-	-	-	-	SEE SHEET 1	-



BOARD CLEARANCE FEATURE LOCATIONS  
 FOR PART NUMBER 147473-2



BOARD CLEARANCE FEATURE LOCATIONS  
 FOR PART NUMBER 147473-1

THIS DRAWING IS A CONTROLLED DOCUMENT.		OWN: D. FABIAN 07SEP00	TE Connectivity
DIMENSIONS: IN		CHK: J. LANDIS 10OCT00	
DIMENSIONS: IN 0 PLC ±. 1 PLC ±. 2 PLC ±. 3 PLC ±.010 4 PLC ±. ANGLES ±.		APVD: J. LANDIS 10OCT00	NAME: ASSEMBLY, PRESS-FIT HEADER SINGLE ROW, .100 CL, 4 SIDED SHROUD
MATERIAL: -		FINISH: -	SIZE: A100779C=147473
CUSTOMER DRAWING		WEIGHT: -	RESTRICTED TO: -
SCALE: 8:1		SHEET: 2 OF 2	REV: H1