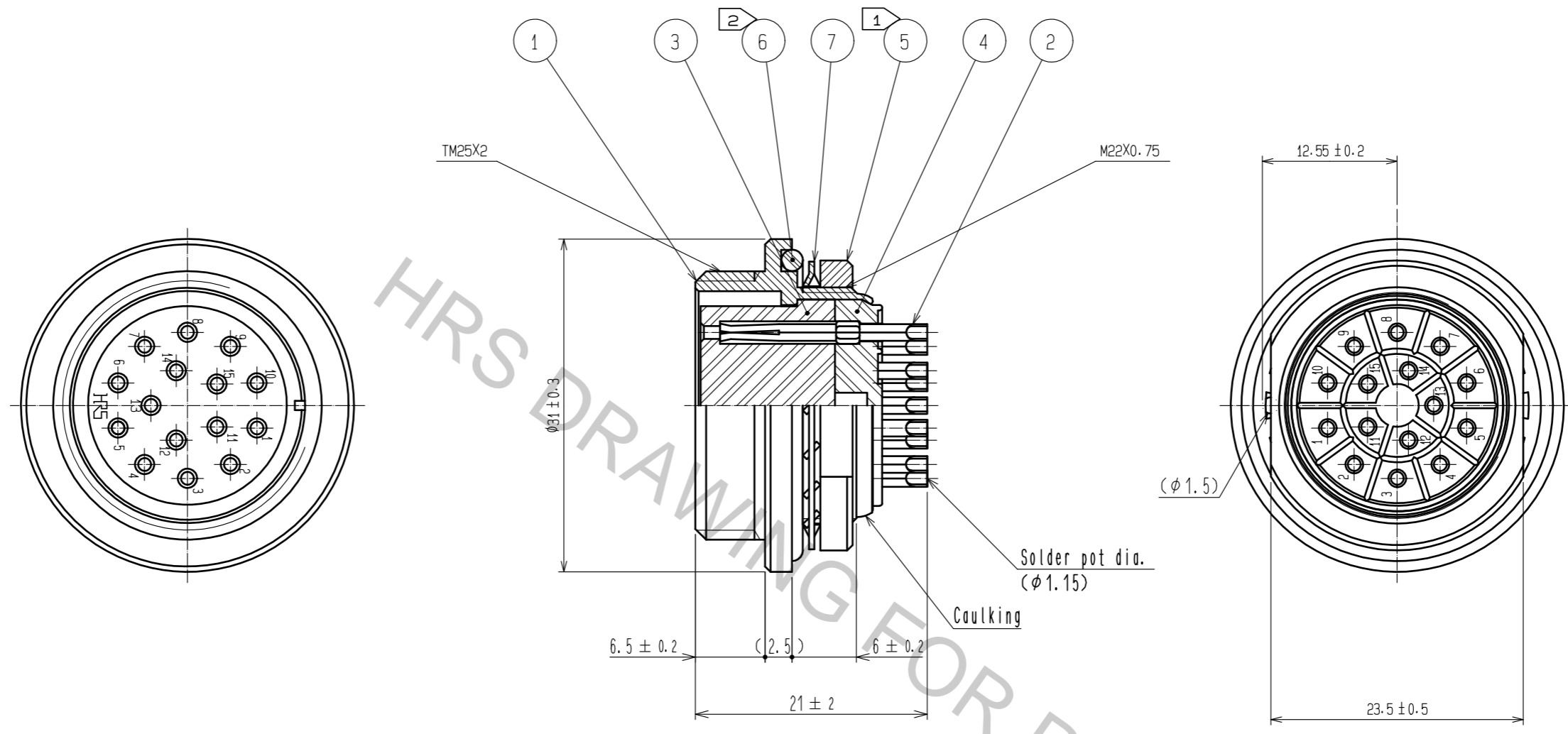
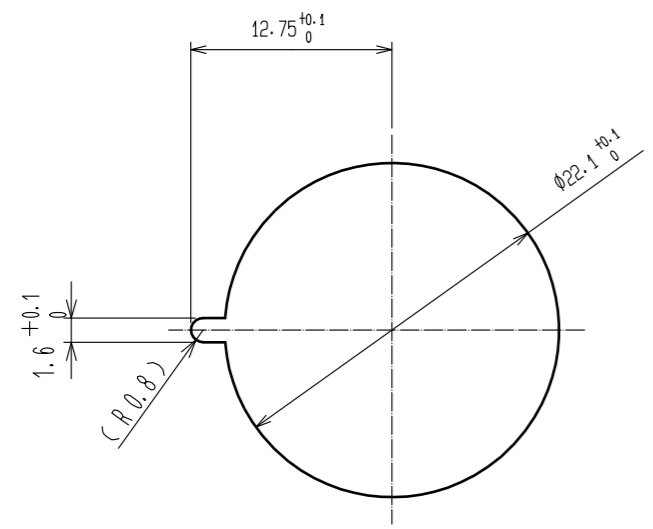


Aug.1.2018 Copyright 2018 HIROSE ELECTRIC CO., LTD. All Rights Reserved.
 In case that the application demands a high level of reliability, such as automotive,
 please contact a company representative for further information.



Panel cutout
 (Panel thickness 2 max.)



- Notes
- ① The recommended clamp torque of ref. No. ⑤ : 4 N·m.
 LOCTITE 263, HENKEL JAPAN or equivalent is recommended to prevent ref. No. ⑤ from loosening.
 - ② At the connector mount ref. No. ⑥ shall be attached without bite lump.

NO.	MATERIAL	FINISH	REMARKS	NO.	MATERIAL	FINISH	REMARKS
3	PPS	(BLACK)	UL94V-0	7	PHOSPHOR BRONZE	NICKEL PLATING	
2	COPPER ALLOY	SILVER PLATING	5 μm.	6	CHLOROPRENE RUBBER	(BLACK)	
1	BRASS	NICKEL PLATING		5	BRASS	NICKEL PLATING	
				4	PPS	(BLACK)	UL94V-0

UNITS	SCALE	COUNT	DESCRIPTION OF REVISIONS	DESIGNED	CHECKED	DATE		
mm	2 : 1	△						
APPROVED : HY. KOBAYASHI			18.02.22	DRAWING NO. EDC-003647-31-00				
CHECKED : HY. KOBAYASHI			18.02.22	PART NO. RM21WTR-15S(31)				
DESIGNED : HY. KISHI			18.02.22	CODE NO. CL109-1447-3-31				
DRAWN : MK. INOUE			18.02.08	<table border="1" style="float: right;"> <tr> <td>1</td> <td>1</td> </tr> </table>			1	1
1	1							