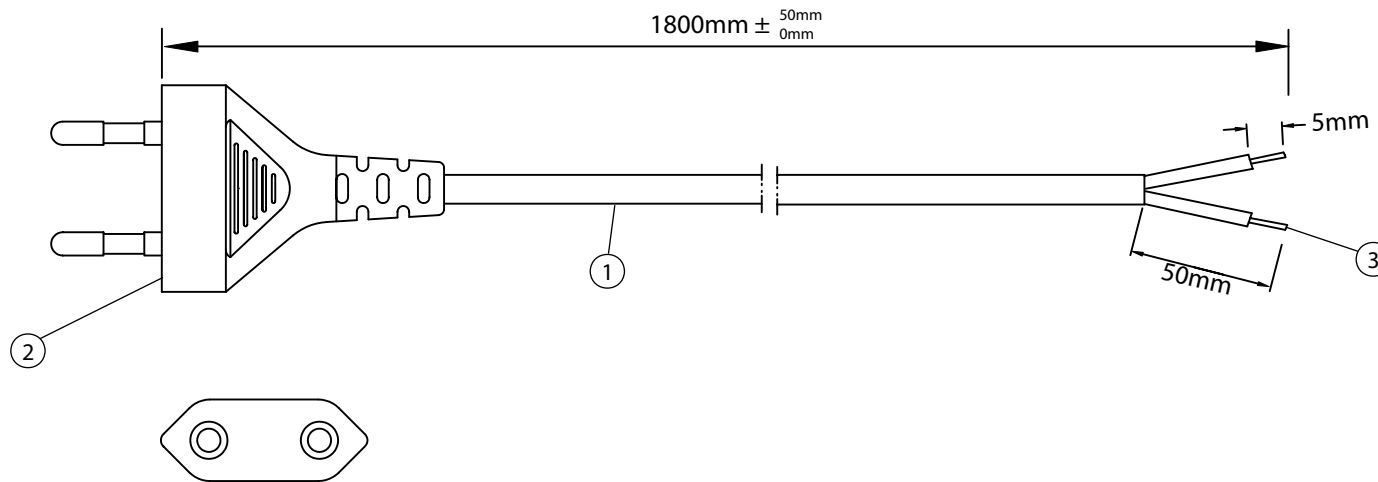


THESE DRAWINGS ARE THE PROPERTY OF QUALTEK ELECTRONICS AND NOT TO BE REPRODUCED FOR OR COMMUNICATED TO A THIRD PARTY WITHOUT THE EXPRESS WRITTEN PERMISSION OF AN OFFICER OF QUALTEK ELECTRONICS.

REVISION			
REV.	DESCRIPTION	DATE	APPROVED



CONTROLLED

NOTES:

1. CORDAGE: H03VVH2-F, 2 x 0.75mm², UNSHIELDED, CEE COLOR CODE, TEMP. RATING: 70°C, RATING 250V 2.5A, JACKET COLOR: BLACK
2. PLUG: KS C8305
3. OTHER END: ROJ 50mm, STRIP 5mm
4. APPROVALS: KTL
5. ROHS COMPLIANT

Dim range (mm)		Tolerance +/- (mm)		Qualtek Electronics Corp. PPC DIVISION		
0-1		0.15		Part Number: 385006-01 <div style="float: right; border: 1px solid green; padding: 2px;">RoHS Compliant</div>		
1-6		0.20		Description: POWER CORD		
6-18		0.30		UNIT: mm		
18-50		0.50				
50-120		0.70		Drawn / Date	Checked / Date	Approved / Date
120-250		0.90		R.Nuti 10-17-11	10-17-11	LY / 10-17-11
250-500		1.20				