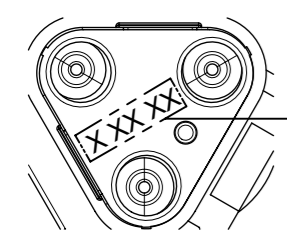
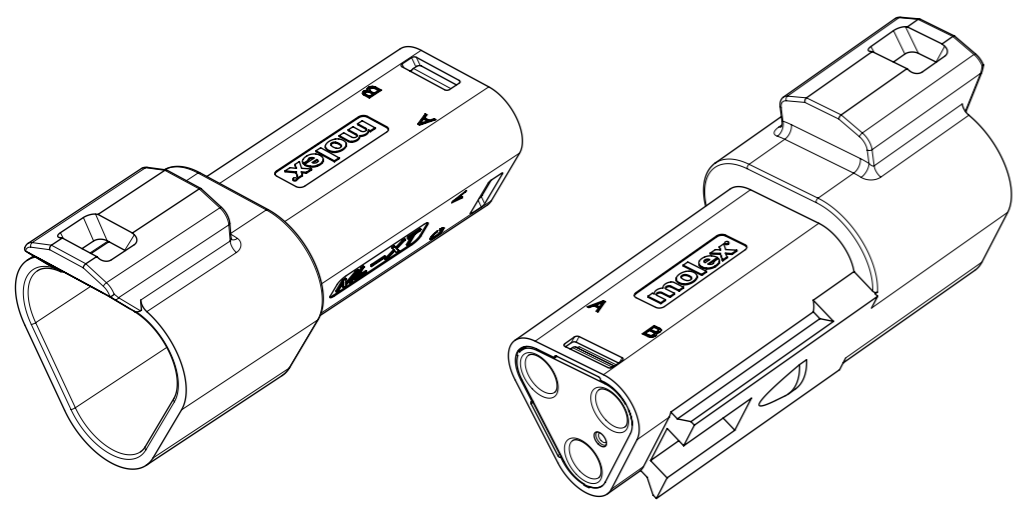


**NOTES**  
 1. SEE SHEETS 2 TO 7 FOR ALL UNSPECIFIED NOTES, DIMENSIONS AND PART NUMBERS

THIS DRAWING CONTAINS INFORMATION THAT IS PROPRIETARY TO MOLEX ELECTRONIC TECHNOLOGIES, LLC AND SHOULD NOT BE USED WITHOUT WRITTEN PERMISSION												
<b>QUALITY SYMBOLS</b> ▽A = 0 ▽E = 0 ▽F = 0 ▼ = 0 ▽C = 0 ⊠ = 0 ■ = 0 ▽ = 0	PROPOSED EC NO: 102420 DRWN: JFLETCHER CHK'D: NDOOWDS APPR: JDWALLACE	GENERAL TOLERANCES (UNLESS SPECIFIED)		DIMENSION UNITS	SCALE							
		ANGULAR TOL ± 2.0 °		MM	1.5:1							
		4 PLACES ±	DRWN BY		DATE		3CCT ML-XT CV CONNECTOR					
		3 PLACES ±	JFLETCHER		2014/12/12							
		2 PLACES ± 0.1	CHK'D BY		DATE		PRODUCT CUSTOMER DRAWING					
		1 PLACE ± 0.2	FDUGGAN		2015/01/08							
		0 PLACES ±	APPR BY		DATE		SERIES: 93443    MATERIAL NUMBER: SEE CHART    CUSTOMER: GENERAL MARKET					
		DRAFT WHERE APPLICABLE MUST REMAIN WITHIN DIMENSIONS	JDWALLACE		2015/01/22							
				DRAWING SIZE	THIRD ANGLE PROJECTION		DOCUMENT NUMBER		DOC TYPE	DOC PART	SHEET NUMBER	
				A3			934430020		PSD	000	1 OF 7	

3CCT RECEPTACLE CONNECTOR

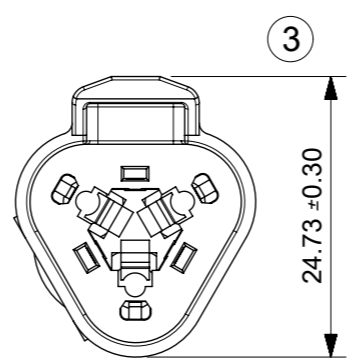
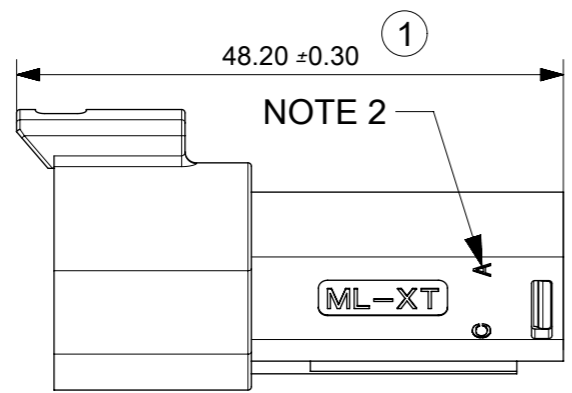
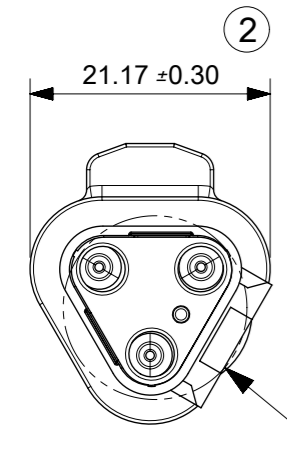


DETAIL A  
SCALE 2:1

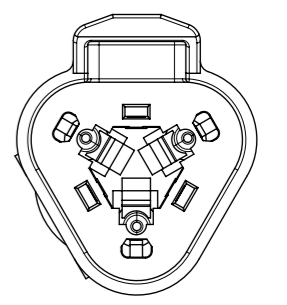
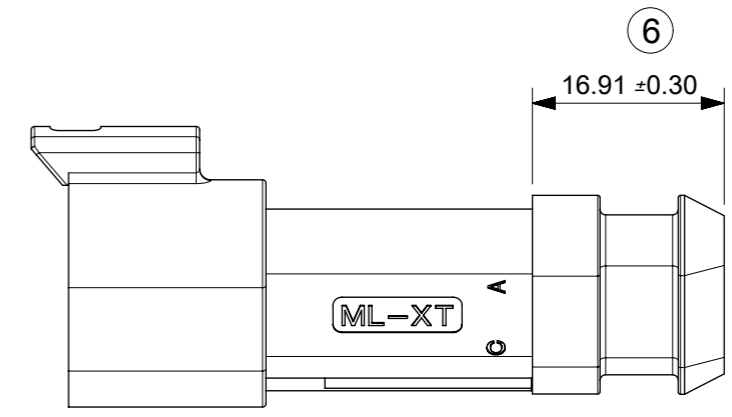
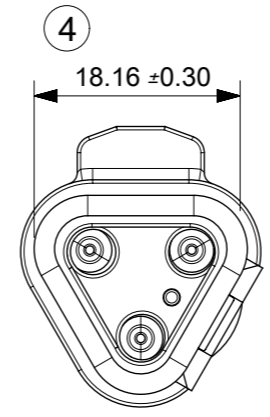
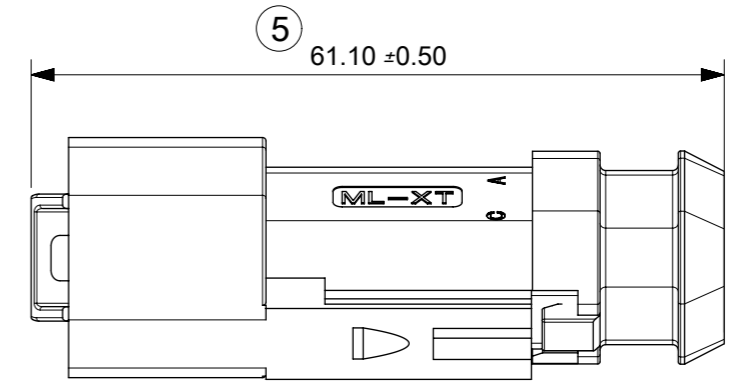
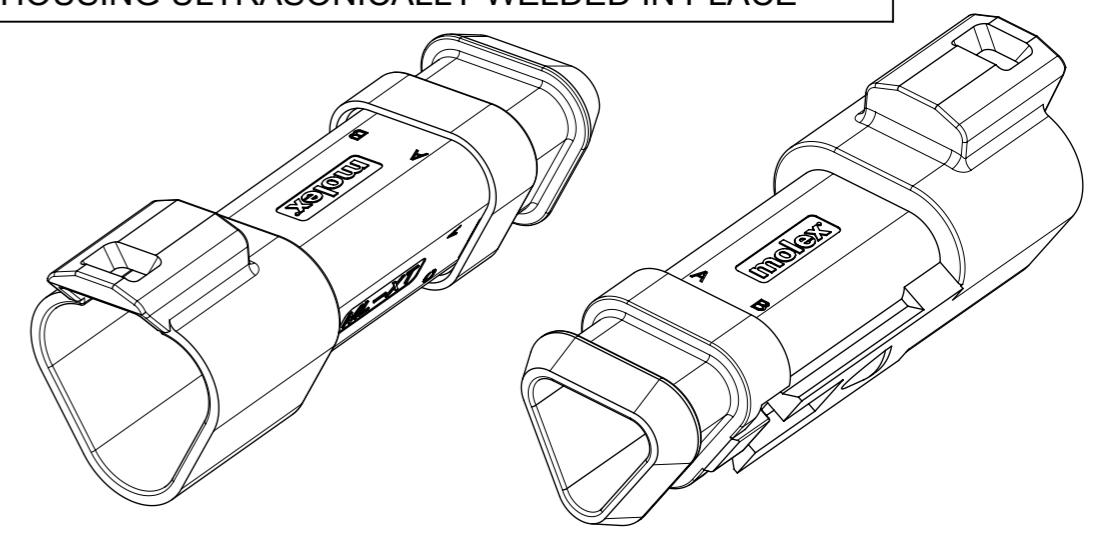
DATE CODE: X XX XX  
X—DAY: 1- 7

X — WEEK: 01 - 52  
X — YEAR: 00 - 99

EXAMPLE: 11315 = DAY 1, WEEK 13,  
YEAR 15 i.e. 23rd OF MARCH 2015

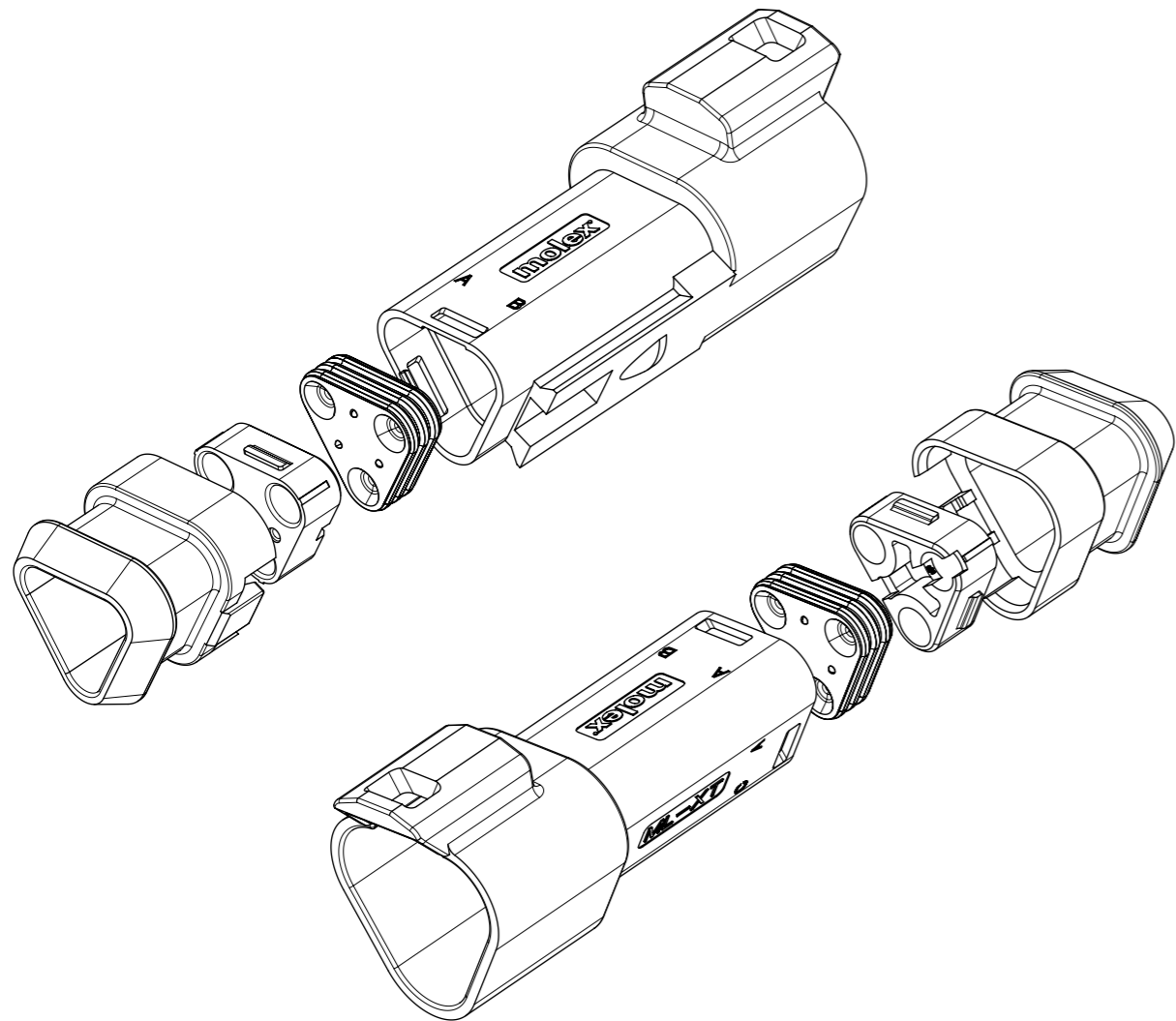


3CCT RECEPTACLE CONNECTOR WITH HEATSHRINK HOUSING ULTRASONICALLY WELDED IN PLACE



1. MATERIAL  
HOUSING: NYLON 30% GLASS FILLED  
BACK SEAL: HIGH CONSISTENCY RUBBER
  2. CIRCUIT IDENTIFICATION
  3. JACKET RANGE LARGE = Ø2.7MM TO 3.6MM (SEAL COLOUR: LIGHT BLUE)  
JACKET RANGE SMALL = Ø1.4MM TO 2.7MM (SEAL COLOUR: BURNT ORANGE)
  4. SEE SHEET 3 FOR FINAL PART NUMBER
  5. SEE 934430010 PS P FOR PRODUCT SPECIFICATION
  6. SEE 934430002 PS K OR 934430010 PS K FOR PACKAGING SPECIFICATION
- INSPECTION NUMBERS 1 - 50 RESERVED FOR SHEET 2  
LAST INSPECTION NO. 6

THIS DRAWING CONTAINS INFORMATION THAT IS PROPRIETARY TO MOLEX ELECTRONIC TECHNOLOGIES, LLC AND SHOULD NOT BE USED WITHOUT WRITTEN PERMISSION													
QUALITY SYMBOLS	PROPOSED	EC NO: 102420	DRWN: JFLETCHER	CHK'D: NDOWDS	APPR: JDWALLACE	GENERAL TOLERANCES (UNLESS SPECIFIED)		DIMENSION UNITS		SCALE			
						ANGULAR TOL ± 2.0 °		MM	1.5:1				
▽A = 0						4 PLACES ±		DRWN BY	DATE				
▽E = 0						3 PLACES ±		JFLETCHER	2014/12/12				
▽F = 0						2 PLACES ± 0.1		CHK'D BY	DATE				
▽ = 0						1 PLACE ± 0.2		FDUGGAN	2015/01/08				
▽C = 0						0 PLACES ±		APPR BY	DATE				
▽ = 0								JDWALLACE	2015/01/22				
▽ = 0								DRAWING SIZE	THIRD ANGLE PROJECTION				
▽ = 0								A3					
▽ = 0								DRAFT WHERE APPLICABLE MUST REMAIN WITHIN DIMENSIONS					
								<b>molex</b>					
								3CCT ML-XT CV CONNECTOR					
								PRODUCT CUSTOMER DRAWING					
SERIES		MATERIAL NUMBER		CUSTOMER									
93443		SEE CHART		GENERAL MARKET									
DOCUMENT NUMBER								DOC TYPE		DOC PART		SHEET NUMBER	
934430020								PSD		000		2 OF 7	



### 3CCT RECEPTACLE CONNECTOR

93444

2

-

--

SERIES No.

CIRCUIT SIZE  
2 = 3CCT

ASSEMBLY OPTIONS:

- 1 = RECEP ASSEMBLY FOR WIRE JACKET RANGE:  $\varnothing$ 1.4mm-2.7mm (NOTE 2)
- 2 = RECEP ASSEMBLY FOR WIRE JACKET RANGE:  $\varnothing$ 2.7mm-3.6mm (NOTE 2)
- 5 = RECEP ASSEMBLY & HEATSHRINK FOR WIRE JACKET RANGE:  $\varnothing$ 1.4mm-2.7mm (NOTE 3)
- 6 = RECEP ASSEMBLY & HEATSHRINK FOR WIRE JACKET RANGE:  $\varnothing$ 2.7mm-3.6mm (NOTE 3)

COLOUR

- 01=BLACK
- 02=GREY 06=WHITE
- 03=GREEN 07=BROWN
- 04=BLUE 08=ORANGE
- 05=YELLOW 09=RED

EXAMPLE:

3cct RECEP BLACK WITH LARGE SEAL AND HEATSHRINK = 93444-2601

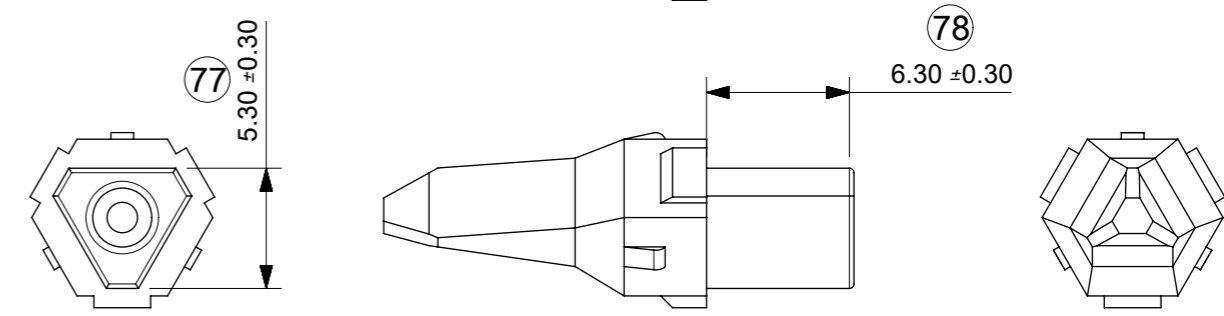
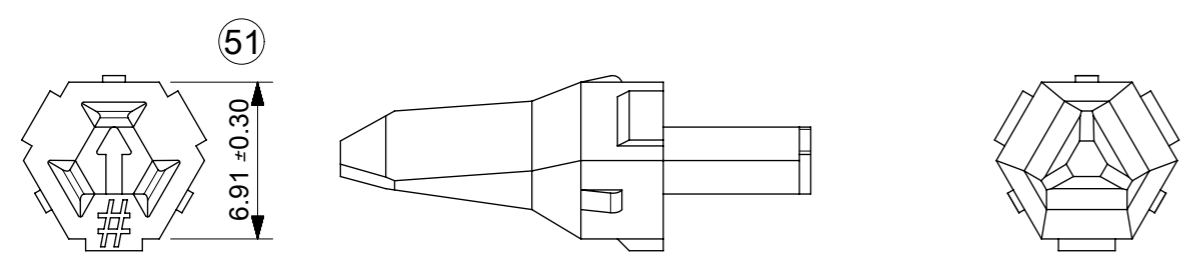
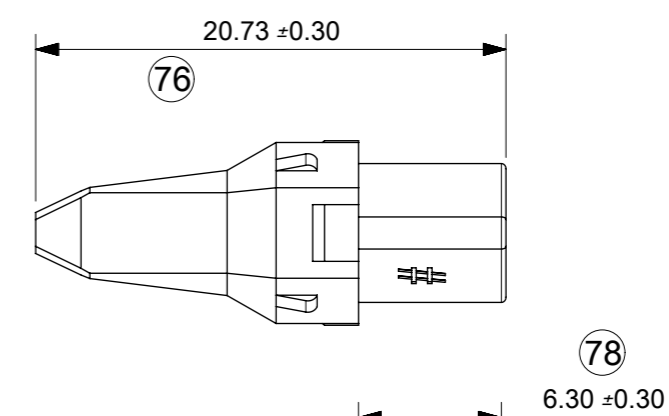
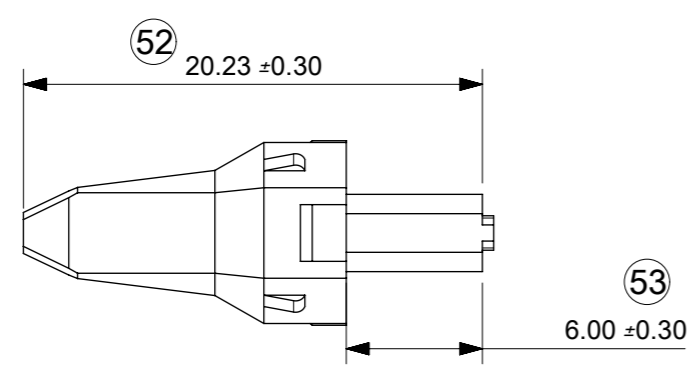
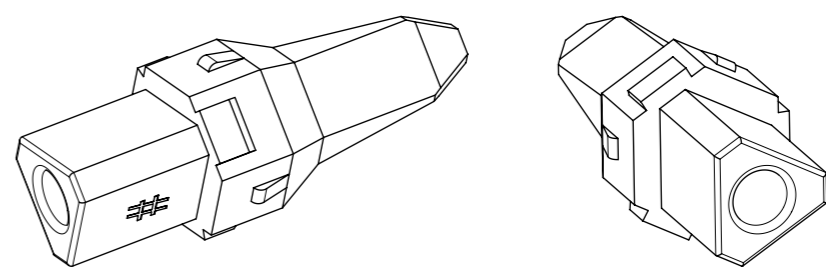
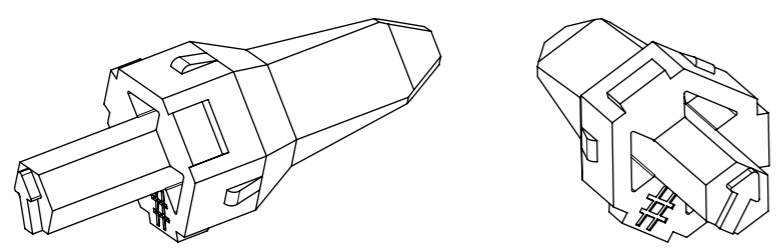
#### NOTES

1. SEE SHEET 2 FOR UNSPECIFIED NOTES AND DIMENSIONS
2. BACK COVER HOUSING COLOUR BLACK
3. PLEASE CONTACT MOLEX REGARDING HEATSHRINK HOUSING (HEATSHRINK HOUSING COLOUR: BLACK)

THIS DRAWING CONTAINS INFORMATION THAT IS PROPRIETARY TO MOLEX ELECTRONIC TECHNOLOGIES, LLC AND SHOULD NOT BE USED WITHOUT WRITTEN PERMISSION													
<b>QUALITY SYMBOLS</b> ▽A = 0 ▽E = 0 ▽F = 0 ▽ = 0 ▽C = 0 ▽X = 0 ▽ = 0 ▽ = 0	<b>PROPOSED</b> EC NO: 102420 DRWN: JFLETCHER CHK'D: NDOOWDS APPR: JDWALLACE	<b>GENERAL TOLERANCES (UNLESS SPECIFIED)</b> ANGULAR TOL $\pm$ 2.0 °		<b>DIMENSION UNITS</b> MM	<b>SCALE</b> 1.5:1								
		4 PLACES $\pm$ 3 PLACES $\pm$ 2 PLACES $\pm$ 0.1 1 PLACE $\pm$ 0.2 0 PLACES $\pm$		<b>DRWN BY</b> JFLETCHER	<b>DATE</b> 2014/12/12							<b>3CCT ML-XT CV CONNECTOR</b>	
		DRAFT WHERE APPLICABLE MUST REMAIN WITHIN DIMENSIONS		<b>CHK'D BY</b> FDUGGAN	<b>DATE</b> 2015/01/08	<b>PRODUCT CUSTOMER DRAWING</b>							
				<b>APPR BY</b> JDWALLACE	<b>DATE</b> 2015/01/22							<b>SERIES</b> 93443	<b>MATERIAL NUMBER</b> SEE CHART
				<b>DRAWING SIZE</b> A3	<b>THIRD ANGLE PROJECTION</b> 	<b>DOCUMENT NUMBER</b> 934430020		<b>DOC TYPE</b> PSD	<b>DOC PART</b> 000	<b>SHEET NUMBER</b> 3 OF 7			

RECEPTACLE WEDGELOCK STANDARD

RECEPTACLE WEDGELOCK J1939

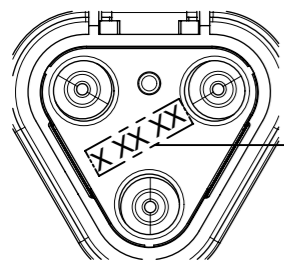
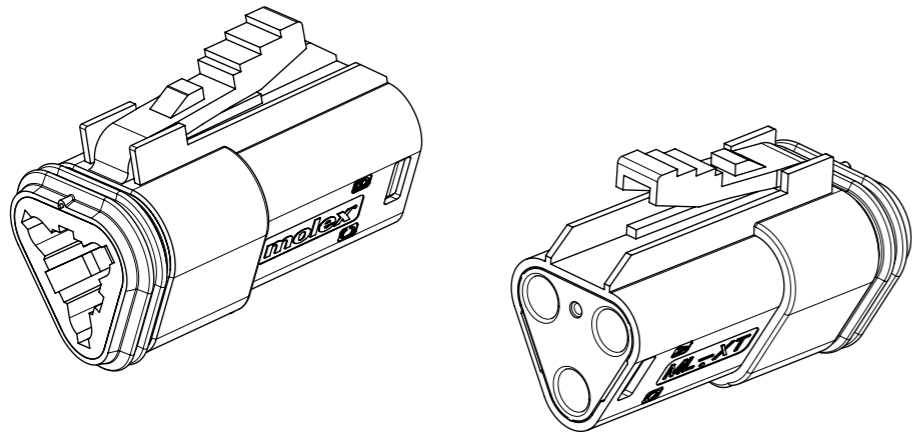


NOTES  
 1. MATERIAL  
 HOUSING: NYLON 30% GLASS FILLED  
 COLOUR: GREEN  
 2. PART NUMBER 934472003  
 KEYING : STANDARD  
 INSPECTION NUMBERS 51-75  
 LAST INSPECTION NUMBER 53

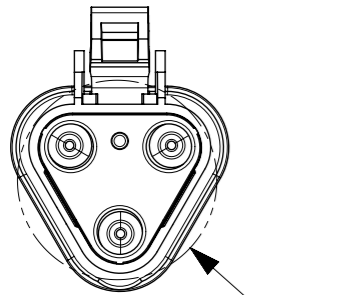
NOTES  
 1. MATERIAL  
 HOUSING: NYLON 30% GLASS FILLED  
 COLOUR: BLUE  
 2. PART NUMBER 934472004  
 KEYING: J1939  
 INSPECTION NUMBERS 76-100  
 LAST INSPECTION NUMBER 79

THIS DRAWING CONTAINS INFORMATION THAT IS PROPRIETARY TO MOLEX ELECTRONIC TECHNOLOGIES, LLC AND SHOULD NOT BE USED WITHOUT WRITTEN PERMISSION											
QUALITY SYMBOLS ▽A = 0 ▽E = 0 ▽F = 0 ▼ = 0 ▽C = 0 ⊗ = 0 ■ = 0 ▽ = 0	PROPOSED EC NO: 102420 DRWN: JFLETCHER CHK'D: NDOWDS APPR: JDWALLACE	GENERAL TOLERANCES (UNLESS SPECIFIED)		DIMENSION UNITS	SCALE						
		ANGULAR TOL ± 2.0 °		MM	3:1						
		4 PLACES ±		DRWN BY	DATE						
		3 PLACES ±		JFLETCHER 2014/12/12		CHK'D BY		DATE		3CCT ML-XT CV CONNECTOR	
		2 PLACES ± 0.1		FDUGGAN 2015/01/08		APPR BY		DATE		PRODUCT CUSTOMER DRAWING	
		1 PLACE ± 0.2		JDWALLACE 2015/01/22		DRAWING SIZE	THIRD ANGLE PROJECTION	SERIES	MATERIAL NUMBER	CUSTOMER	
		0 PLACES ±		DRAFT WHERE APPLICABLE MUST REMAIN WITHIN DIMENSIONS		A3		93443	SEE CHART	GENERAL MARKET	
								DOCUMENT NUMBER	DOC TYPE	DOC PART	SHEET NUMBER
								934430020	PSD	000	4 OF 7

3CCT PLUG CONNECTOR



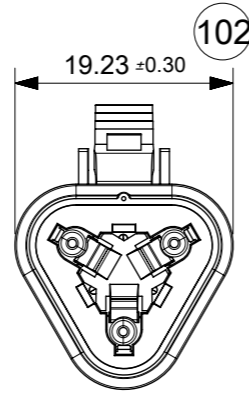
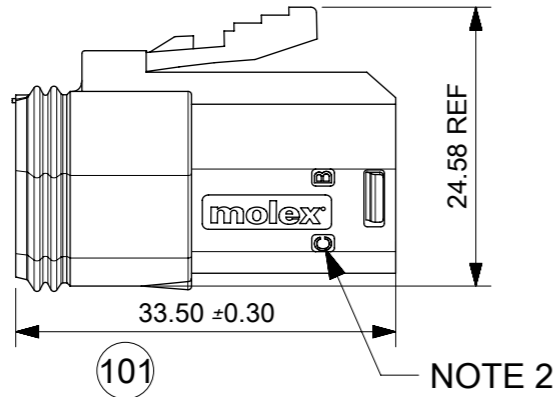
DETAIL B  
SCALE 2:1



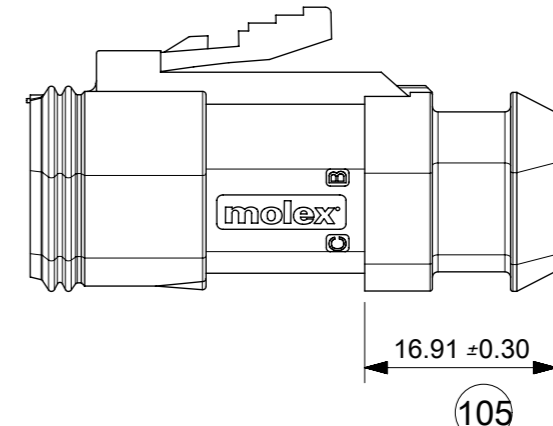
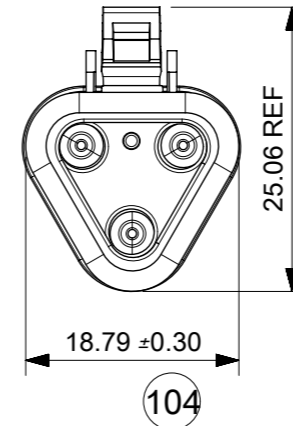
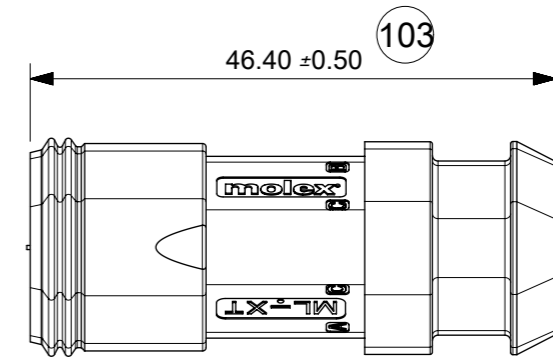
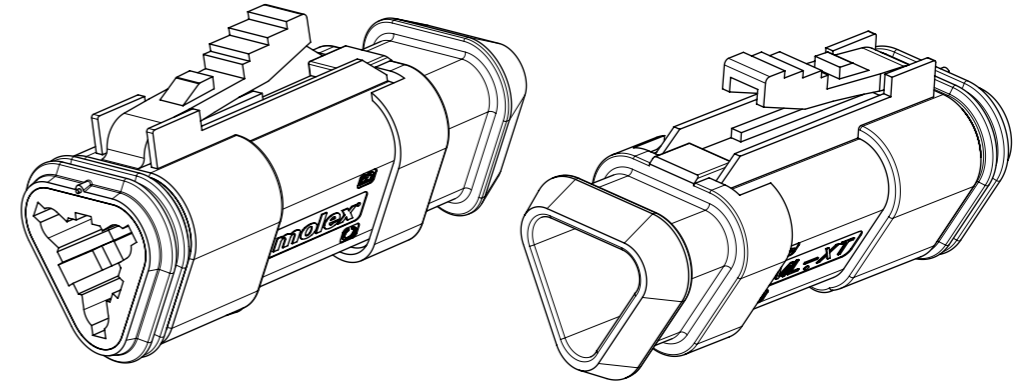
DATE CODE: X XX XX  
X — DAY: 1- 7

X — WEEK: 01 - 52  
X — YEAR: 00 - 99

EXAMPLE: 11315 = DAY 1, WEEK 13, YEAR 15  
i.e. 23rd OF MARCH 2015



3CCT PLUG CONNECTOR WITH HEATSHRINK HOUSING ULTRA SONICALLY WELDED IN PLACE

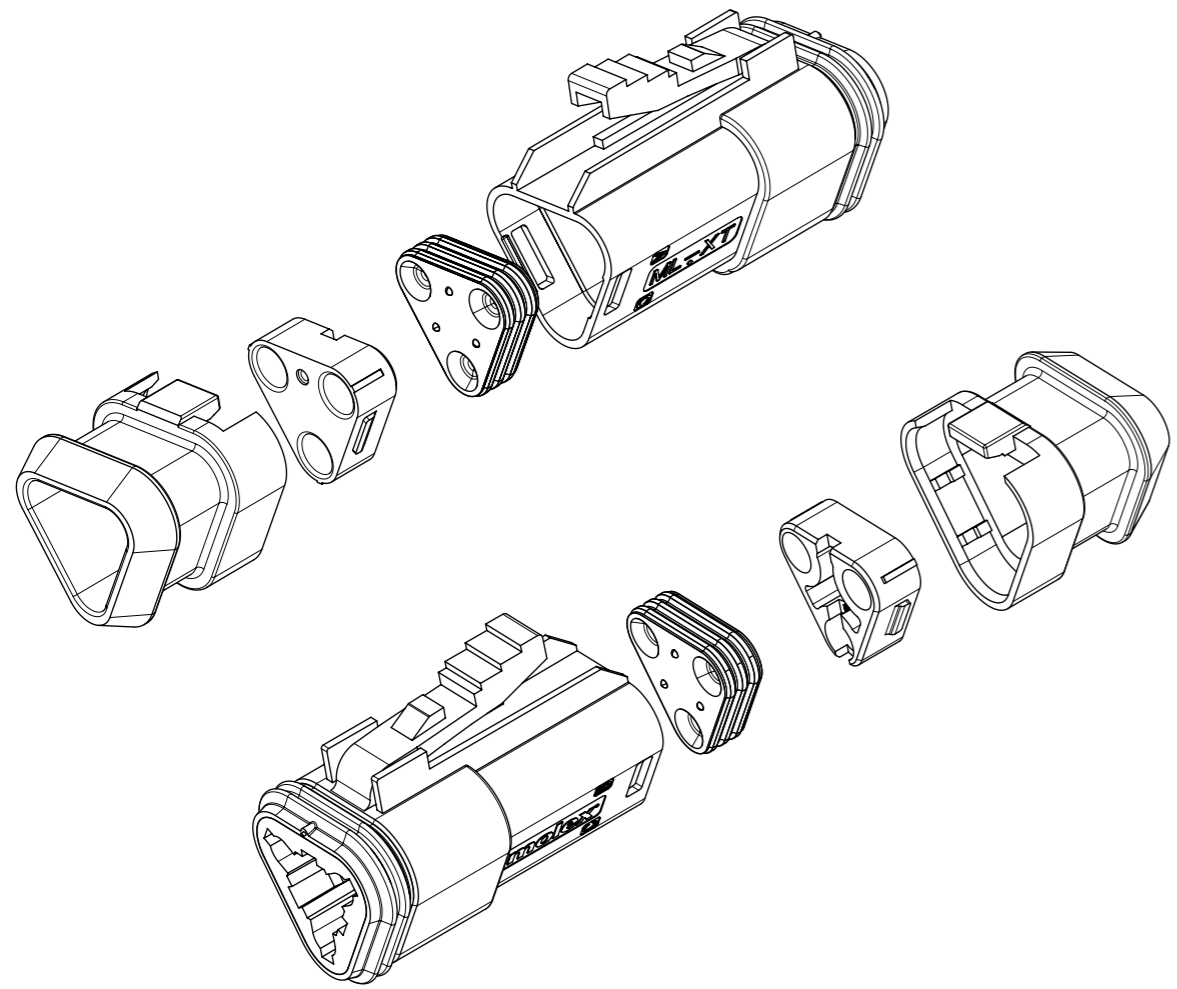


NOTES

- MATERIAL:  
HOUSING: NYLON 30% GLASS FILLED  
PLUG SEAL: SILICONE RUBBER  
BACK SEAL: HIGH CONSISTENCY RUBBER
- CIRCUIT IDENTIFICATION
- JACKET RANGE LARGE = Ø2.7MM TO 3.6MM (SEAL COLOUR: LIGHT BLUE)  
JACKET RANGE SMALL = Ø1.4MM TO 2.7MM (SEAL COLOUR: BURNT ORANGE)
- SEE SHEET 6 FOR FINAL PART NUMBER DESIGNATION
- INSPECTION NUMBERS 101-150 RESERVED FOR SHEET 5  
LAST INSPECTION NUMBER 105

RELEASE STATUS P1 RELEASE DATE 14.01.2016 10:16:47

THIS DRAWING CONTAINS INFORMATION THAT IS PROPRIETARY TO MOLEX ELECTRONIC TECHNOLOGIES, LLC AND SHOULD NOT BE USED WITHOUT WRITTEN PERMISSION												
<p>QUALITY SYMBOLS</p> <p>▽A = 0</p> <p>▽E = 0</p> <p>▽F = 0</p> <p>▽ = 0</p> <p>▽C = 0</p> <p>⊗ = 0</p> <p>■ = 0</p> <p>▽ = 0</p>	<p>PROPOSED</p> <p>EC NO: 102420</p> <p>DRWN: JFLETCHER</p> <p>CHK'D: NDOWDS</p> <p>APPR: JDWALLACE</p> <p>2016/01/07</p> <p>2016/01/11</p> <p>2016/01/14</p>	GENERAL TOLERANCES (UNLESS SPECIFIED)		DIMENSION UNITS	SCALE							
		ANGULAR TOL ± 2.0 °		MM	1.5:1							
		4 PLACES ±	DRWN BY		DATE		<p>3CCT ML-XT CV CONNECTOR</p>					
		3 PLACES ±	JFLETCHER		2014/12/12							
		2 PLACES ± 0.1	CHK'D BY		DATE		<p>PRODUCT CUSTOMER DRAWING</p>					
		1 PLACE ± 0.2	FDUGGAN		2015/01/08							
		0 PLACES ±	APPR BY		DATE		<p>SERIES MATERIAL NUMBER CUSTOMER</p> <p>93443 SEE CHART GENERAL MARKET</p>					
		DRAFT WHERE APPLICABLE MUST REMAIN WITHIN DIMENSIONS	JDWALLACE		2015/01/22							
			DRAWING SIZE	THIRD ANGLE PROJECTION		<p>DOCUMENT NUMBER DOC TYPE DOC PART SHEET NUMBER</p> <p>934430020 PSD 000 5 OF 7</p>						
			A3									



3CCT PLUG CONNECTOR

93445

2

-

--

SERIES No. \_\_\_\_\_

CIRCUIT SIZE  
2 = 3CCT

ASSEMBLY OPTIONS:

- 1 = PLUG ASSEMBLY FOR WIRE JACKET RANGE:  $\varnothing$ 1.4mm-2.7mm (NOTE 2)
- 2 = PLUG ASSEMBLY FOR WIRE JACKET RANGE:  $\varnothing$ 2.7mm-3.6mm (NOTE 2)
- 5 = PLUG ASSEMBLY & HEATSHRINK FOR WIRE JACKET RANGE:  $\varnothing$ 1.4mm-2.7mm (NOTE 3)
- 6 = PLUG ASSEMBLY & HEATSHRINK FOR WIRE JACKET RANGE:  $\varnothing$ 2.7mm-3.6mm (NOTE 3)

COLOUR

- 01=BLACK
- 02=GREY    06=WHITE
- 03=GREEN   07=BROWN
- 04=BLUE    08=ORANGE
- 05=YELLOW   09=RED

EXAMPLE:

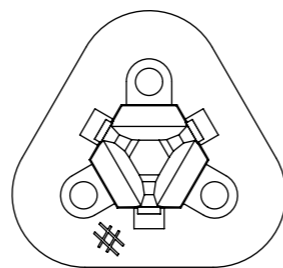
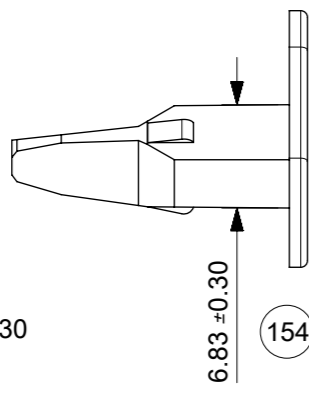
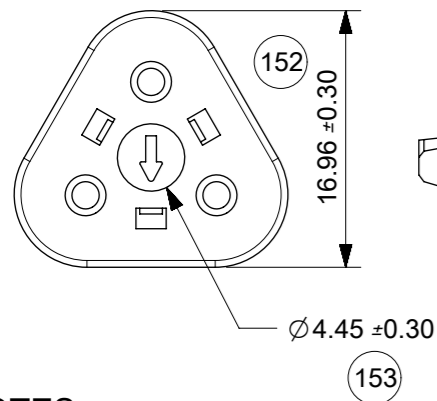
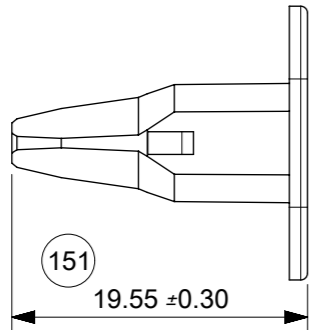
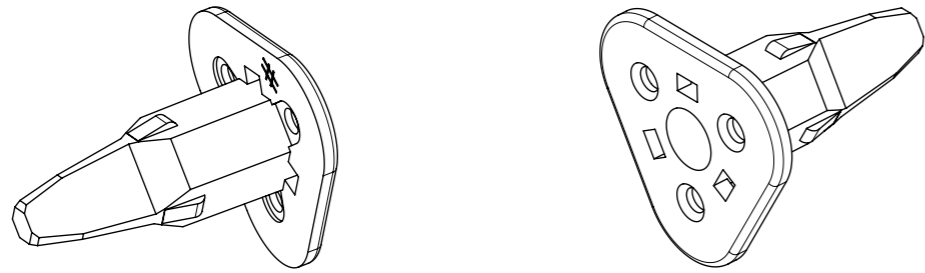
3cct PLUG BLACK WITH LARGE SEAL AND HEATSHRINK = 93444-2601

NOTES

1. SEE SHEET 5 FOR UNSPECIFIED NOTES AND DIMENSIONS
2. BACK COVER HOUSING COLOUR BLACK
3. PLEASE CONTACT MOLEX REGARDING HEATSHRINK HOUSING (HEATSHRINK HOUSING COLOUR: BLACK)

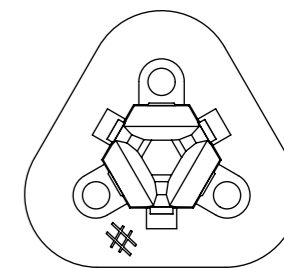
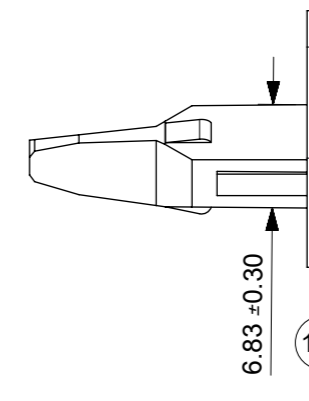
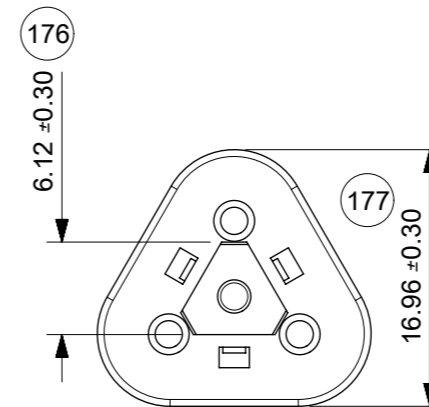
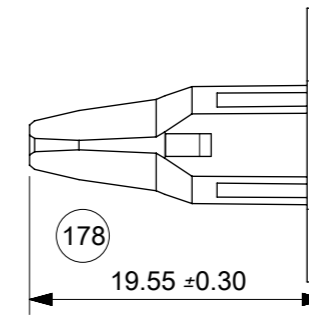
THIS DRAWING CONTAINS INFORMATION THAT IS PROPRIETARY TO MOLEX ELECTRONIC TECHNOLOGIES, LLC AND SHOULD NOT BE USED WITHOUT WRITTEN PERMISSION												
<b>QUALITY SYMBOLS</b> ▽A = 0 ▽E = 0 ▽F = 0 ▽ = 0 ▽C = 0 ▽X = 0 ▽ = 0 ▽ = 0	<b>PROPOSED</b> EC NO: 102420 DRWN: JFLETCHER CHK'D: NDOWNDS APPR: JDWALLACE	GENERAL TOLERANCES (UNLESS SPECIFIED)		DIMENSION UNITS	SCALE	 <b>3CCT ML-XT CV CONNECTOR</b>						
		ANGULAR TOL ± 2.0 °		MM	1.5:1							
		4 PLACES ±	DRWN BY	DATE	JFLETCHER							2014/12/12
		3 PLACES ±	CHK'D BY	DATE	FDUGGAN	2015/01/08	<b>PRODUCT CUSTOMER DRAWING</b>					
		2 PLACES ± 0.1	APPR BY	DATE	JDWALLACE	2015/01/22						
		1 PLACE ± 0.2	DRAWING SIZE	THIRD ANGLE PROJECTION	A3	SERIES: 93443    MATERIAL NUMBER: SEE CHART    CUSTOMER: GENERAL MARKET						
		0 PLACES ±	DRAFT WHERE APPLICABLE MUST REMAIN WITHIN DIMENSIONS					DOCUMENT NUMBER: 934430020		DOC TYPE: PSD	DOC PART: 000	SHEET NUMBER: 6 OF 7

PLUG WEDGELOCK STANDARD



- NOTES**
- MATERIAL**  
HOUSING: NYLON 30% GLASS FILLED  
COLOUR: GREEN
  - PART NUMBER 934482003**  
KEYING : STANDARD  
INSPECTION NUMBERS 151-175  
LAST INSPECTION NUMBER 154

PLUG WEDGELOCK J1939



- NOTES**
- MATERIAL**  
HOUSING: NYLON 30% GLASS FILLED  
COLOUR: BLUE
  - PART NUMBER 934482004**  
KEYING : J1939  
INSPECTION NUMBERS 176-200  
LAST INSPECTION NUMBER 179

THIS DRAWING CONTAINS INFORMATION THAT IS PROPRIETARY TO MOLEX ELECTRONIC TECHNOLOGIES, LLC AND SHOULD NOT BE USED WITHOUT WRITTEN PERMISSION												
<b>QUALITY SYMBOLS</b> ▽A = 0 ▽E = 0 ▽F = 0 ▽ = 0 ▽ = 0 ▽ = 0 ▽ = 0 ▽ = 0 ▽ = 0 ▽ = 0	PROPOSED EC NO: 102420 DRWN: JFLETCHER CHK'D: NDOOWDS APPR: JDWALLACE	GENERAL TOLERANCES (UNLESS SPECIFIED) ANGULAR TOL ± 2.0 °		DIMENSION UNITS <b>MM</b>	SCALE <b>2:1</b>							
		4 PLACES ± 3 PLACES ± 2 PLACES ± 0.1 1 PLACE ± 0.2 0 PLACES ±		DRWN BY <b>JFLETCHER</b>	DATE <b>2014/12/12</b>							3CCT ML-XT CV CONNECTOR
		DRAFT WHERE APPLICABLE MUST REMAIN WITHIN DIMENSIONS		DRAWING SIZE <b>A3</b>	THIRD ANGLE PROJECTION	PRODUCT CUSTOMER DRAWING						
		B1		DRUGAN <b>FDUGGAN</b>	DATE <b>2015/01/08</b>	SERIES <b>93443</b>		MATERIAL NUMBER <b>SEE CHART</b>		CUSTOMER <b>GENERAL MARKET</b>		
		REV		JDWALLACE <b>JDWALLACE</b>		DATE <b>2015/01/22</b>		DOCUMENT NUMBER <b>934430020</b>		DOC TYPE <b>PSD</b>	DOC PART <b>000</b>	SHEET NUMBER <b>7 OF 7</b>