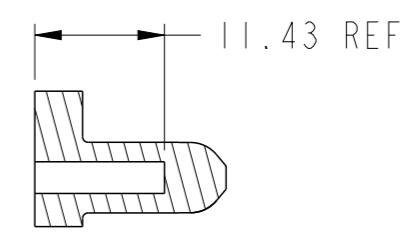
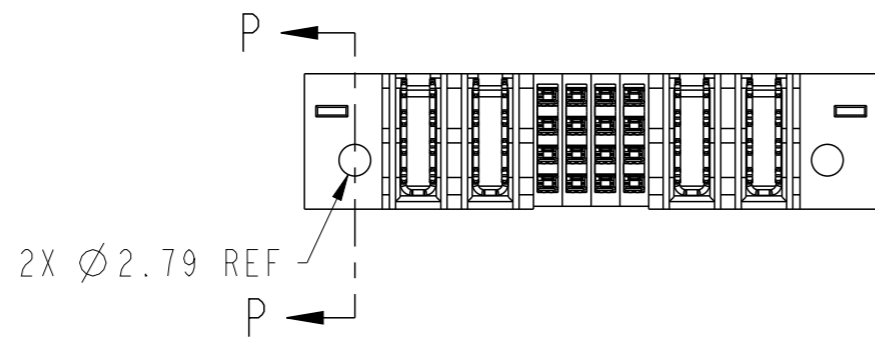
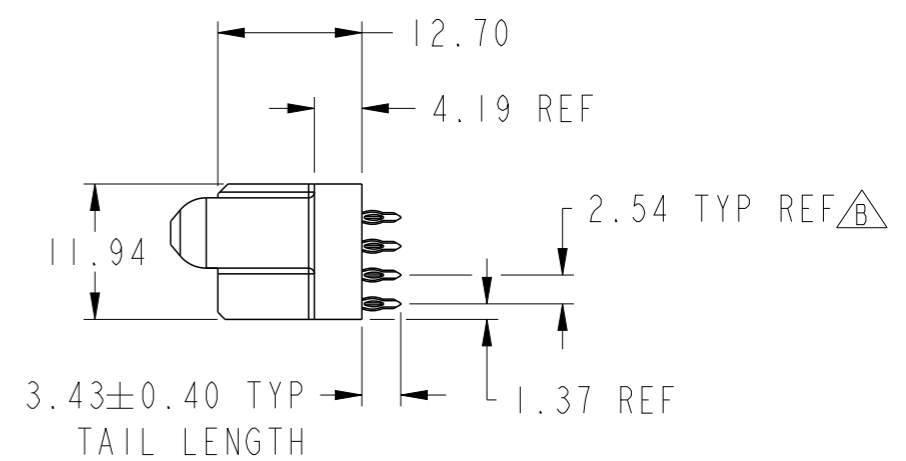
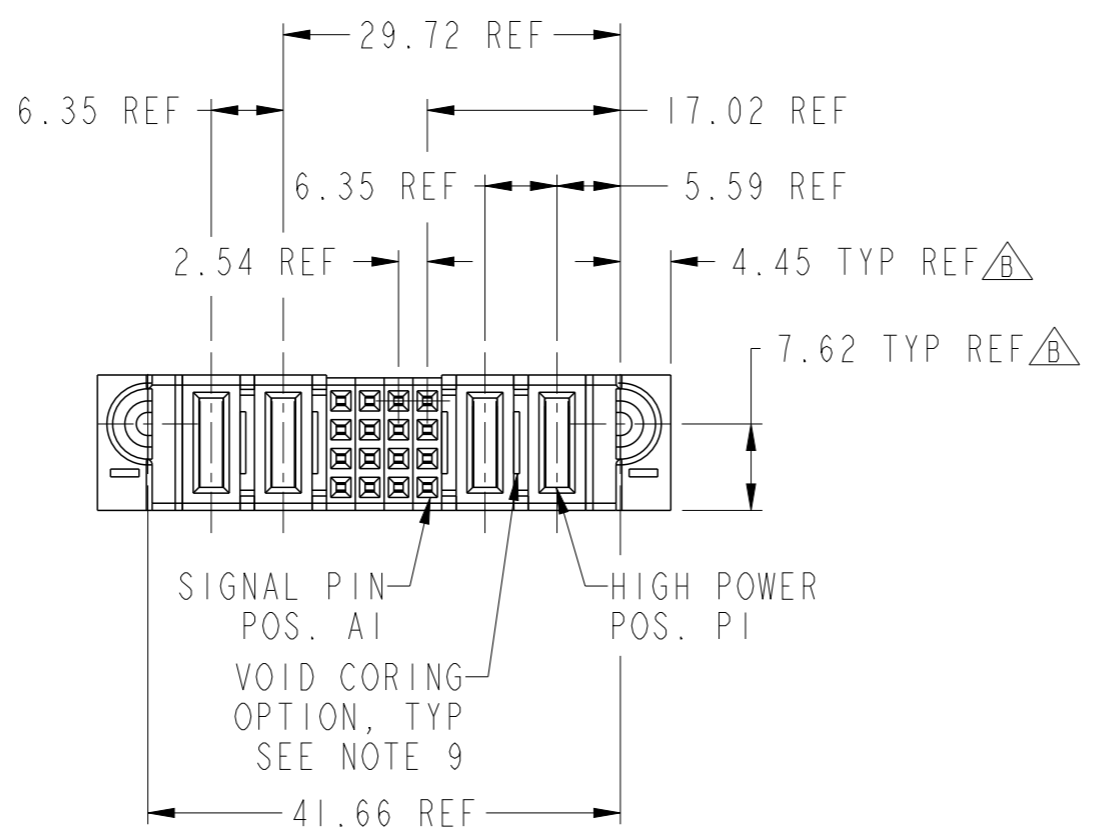
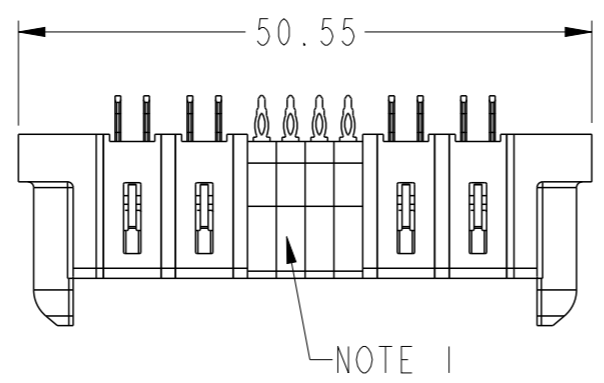


PRODUCT NUMBER SEE SHEET 2



SECTION P-P



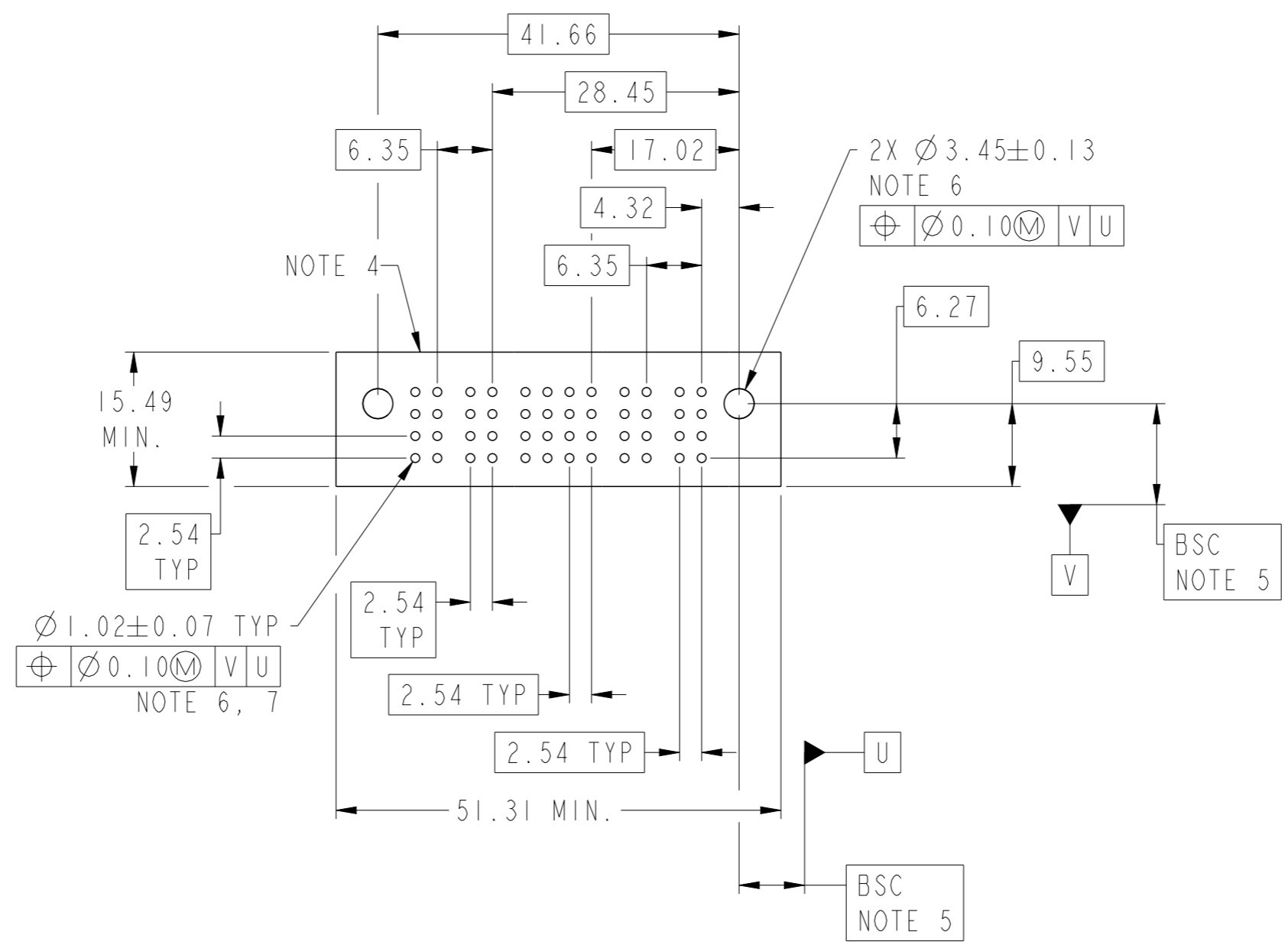
Copyright FCI.



spec ref		dr	Peng-Bing Fu	2011/05/18	projection	MM	size	A3	scale	3:2	
tolerance std		eng	Peng-Bing Fu	2012/11/13		← →	ecn no	ELX-DG-013146-1			
ASME Y14.5		chr	Tian-Xu Huang	2012/11/13				product family	PowerBlade+	rel level	
TOLERANCES UNLESS OTHERWISE SPECIFIED		appr	Pei-Ming Zheng	2012/11/13	PowerBlade+		Released				
surface	✓	linear	0.X	$\pm 0.50$		2HP + 16S + 2HP	dwg no	10106131-4004001		rev	B
			0.XX	$\pm 0.25$							
			0.XXX	$\pm 0.10$							
ASME Y14.5	angular	0°	$\pm 2^\circ$	www.fci.com	cat. no.	Product - Customer Drw	sheet 1 of 3				

PRODUCT NO.	ROWS	HP			SIGNAL				HP		
		E1	P4	P3	4	3	2	1	P2	P1	E2
10106131-4004001LF	DCBA										

CODE	DESCRIPTION
F	STD SIGNAL CONTACT
HG	STD HIGH POWER CONTACT (3.43)



Copyright FCI.

dr	Peng-Bing Fu	2011/05/18	projection	MM	size	A3	scale	3:2
eng	Peng-Bing Fu	2012/11/13		← →	ecn no	ELX-DG-013146-1		
chr	Tian-Xu Huang	2012/11/13				product family	PowerBlade+	rel level
appr	Pei-Ming Zheng	2012/11/13	www.fci.com			cat. no.	Product - Customer Drw	sheet 2 of 3
			2HP + 16S + 2HP VT PF RECEPTACLE			dwg no 10106131-4004001	rev B	

A

B

C

D

A

B

C

D

NOTES:

- 1) "FCI", PART NUMBER AND DATE CODE TO BE MARKED ON THIS SURFACE.  
THE MARK CAN BE OMITTED IF THERE IS NOT ENOUGH SPACE ON THIS SURFACE.
- 2) MATERIALS:  
-HOUSING - GLASS FILLED WITH HIGH TEMP THERMOPLASTIC, UL94V-0.  
-SIGNAL CONTACT - COPPER ALLOY.  
-POWER CONTACT - HIGH CONDUCTIVITY COPPER ALLOY.
- 3) PLATING SPECIFICATION REFER TO FCI 10116351
- 4) DENOTES CONNECTOR KEEP OUT ZONE.
- 5) DATUM AND BASIC DIMENIONS WERE ESTABLISHED BY CUSTOMER.
- 6) ALL HOLE DIAMETERS ARE FINISHED HOLE SIZES.
- 7)  $1.15 \pm 0.025$ MM DRILLED HOLE PLATED WITH 0.00762MM MIN Sn  
OVER 0.0254-0.0762MM Cu PLATING TO ACHIEVE A  $1.02 \pm 0.07$ MM HOLE.
- 8) PRODUCT SPECIFICATION REFER TO FCI GS-12-658.  
APPLICATION SPECIFICATION REFER TO FCI GS-20-141.  
PRODUCT PACKAGED IN TRAYS, REFER TO FCI GS-14-1502.
- 9) THE VOID CORING IN BETWEEN POWER MODULES, SIGNAL  
MODULES AND END MODULES ARE OPTIONAL AND THE SHAPE  
MAY BE DIFFERENT FOR OPTIMIZE THE MOLDING PROCESS. THE  
VOID CORING WILL NOT EFFECT TO PRODUCT FUNCTION.
- 10) A  $\triangle B$  SYMBOL WILL BE NEXT TO ANY DIMENSION, VIEW, OR NOTE  
WHICH HAS BEEN MODIFIED WITH THE CURRENT DRAWING REVISION.



Copyright FCI.

dr	Peng-Bing Fu	2011/05/18	projection 	MM 	size	A3	scale	1:1
eng	Peng-Bing Fu	2012/11/13			ecn no	ELX-DG-013146-1		
chr	Tian-Xu Huang	2012/11/13			product family	PowerBlade+	rel level	Released
appr	Pei-Ming Zheng	2012/11/13						
		title 2HP + 16S + 2HP VT PF RECEPTACLE			dwg no 10106131-4004001	rev B		
www.fci.com		cat. no.	Product - Customer Drw			sheet 3 of 3		