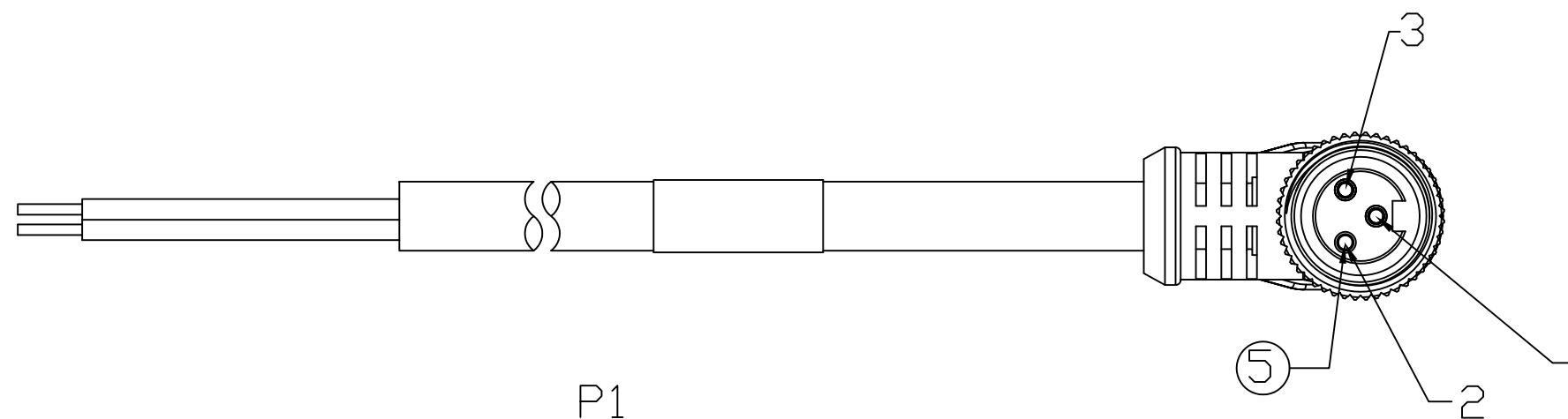
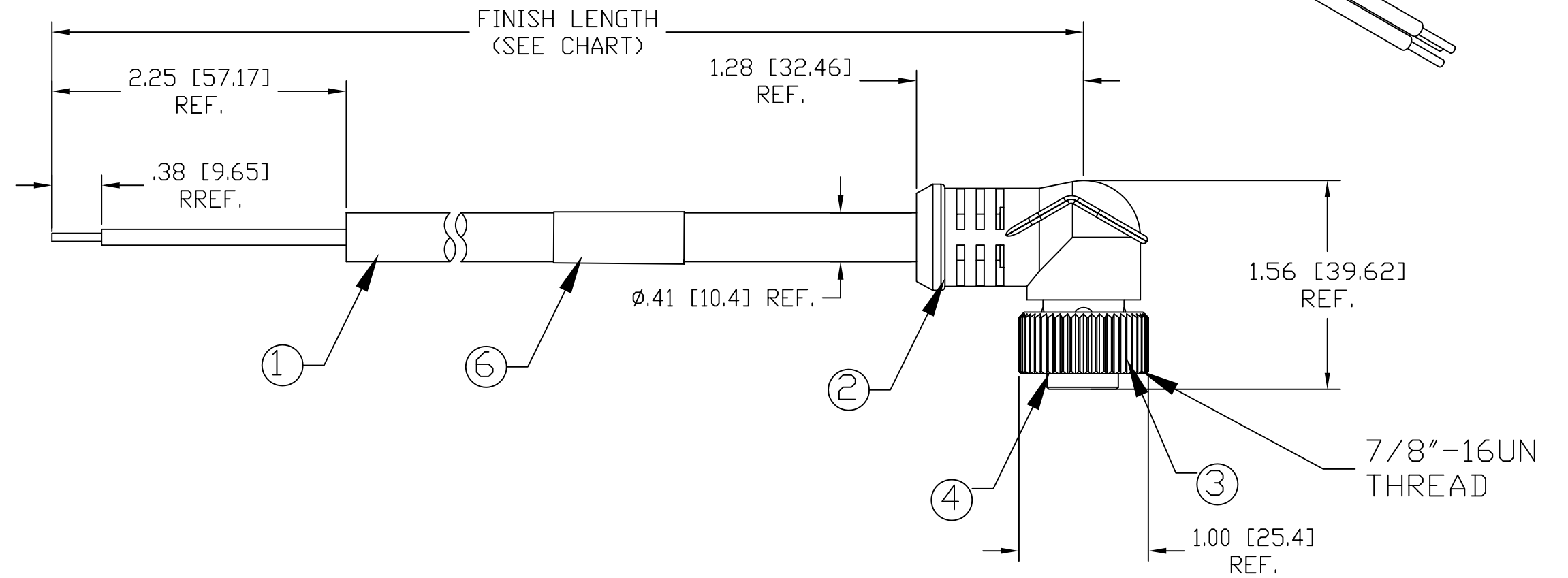


13	12	11	10	9	8	7	6	5	4	3	2	1
PART NUMBER	ENGINEERING NUMBER	FINISH LENGTH										
1300060450	103001A02F030	3.00' +1.75" -0 [.9M +44.5 -0]										
1300060452	103001A02F060	6.00' +2.19" -0 [1.8M +55.6 -0]										
1300060455	103001A02F120	12.00' +3.50" -0 [3.7M +88.9 -0]										
1300060458	103001A02F200	20.00' +6.50" -0 [6.1M +165.1 -0]										
1300060460	103001A02F250	25.00' +12.50" -0 [7.6M +317.5 -0]										
1300060461	103001A02F300	30.00' +12.50" -0 [9.1M +317.5 -0]										

NOTE

- 1) MATERIAL: SEE TABLE
- 2) FINISHES: SEE TABLE
- 3) WRAP LABEL IS MARKED WITH P/N, DATE CODE, VOLTAGE & AMPERAGE
- 4) MATES WITH: MINI CHANGE, 3 POLE RECEPTACLE
- 5) ELECTRICAL DATA:  
 INLINE CORDSET  
 FEMALE A-SIZE WITH FLYING LEADS  
 16AWG UNSHIELDED  
 POLES: 3  
 MAX. VOLTAGE: 600V  
 MAX. CURRENT 13A  
 PROTECTION IP67  
 TEMPERATURE RANGE: -20°C TO 105°C
- 6) PACKAGING:  
 CABLE ASSEMBLIES ARE BAGGED SEPERATELY  
 IN POLY BAGS WITH BAR CODE LABEL ATTACHED  
 TO OUTSIDE OF BAG.
- 7) ASSEMBLY IS RoHS COMPLIANT.
- 8) CERTIFICATION  
 UL RECOGNIZED, FILE NO. E152210  
 CSA CERTIFIED, FILE NO. LR6837



P1

1	GREEN-GND
2	RED WITH #2
3	RED WITH #3

FEMALE FACE VIEW

WIRING DIAGRAM

ITEM	QTY.	DESCRIPTION	MATERIAL	FINISH
6	1	LABEL	PLASTIC FILM	BLACK/YELLOW
5	3	CONTACT SOCKET	COPPER ALLOY	GOLD PLATED
4	1	INSERT	PVC	YELLOW
3	1	COUPLING NUT	ZINC DIE CAST	BLACK E-COATED
2	1	OVERMOLD	PVC	YELLOW
1	1	CABLE, 16AWG-3 TYPE STOOD	PVC	YELLOW

RELEASE EC NO: WNA2010-0418 DRWN: BWOODMAN2009/12/29 CH'KD: VOU APPR: JFMURPHY 2010/01/08 DESCRIPTION REV	QUALITY SYMBOL	GENERAL TOLERANCES (UNLESS SPECIFIED)		DIMENSION STYLE		SCALE	DESIGN UNITS	THIRD ANGLE PROJECTION	
	$\nabla=0$ $\sphericalangle=0$	4 PLACES	mm	INCH	DRAWN BY	DATE	1:1	INCH	TITLE
		3 PLACES	±---	±---	VOU	2009/12/30			MINI CHANGE ASSEMBLY 3-POLE FEMALE 90D 16/3AWG PVC AUTO
		2 PLACES	±0.13	±.010	JFMURPHY	2010/01/07			MOLEX INCORPORATED
	1 PLACE	±0.25	±.020	APPROVED BY DATE				DOCUMENT NO.	SHEET NO.
		ANGULAR ±1/2°		MATERIAL NO.				SD-130006-031	1 OF 1
		DRAFT WHERE APPLICABLE MUST REMAIN WITHIN DIMENSIONS		SEE CHART		THIS DRAWING CONTAINS INFORMATION THAT IS PROPRIETARY TO MOLEX INCORPORATED AND SHOULD NOT BE USED WITHOUT WRITTEN PERMISSION			