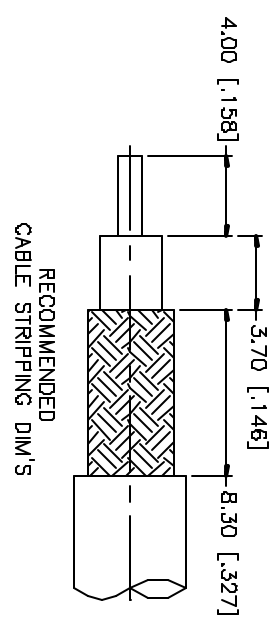
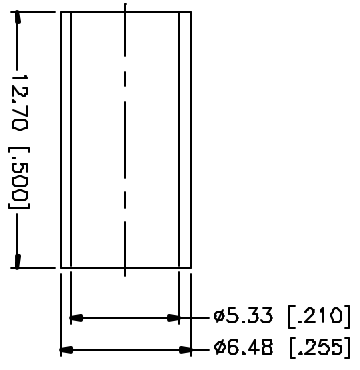
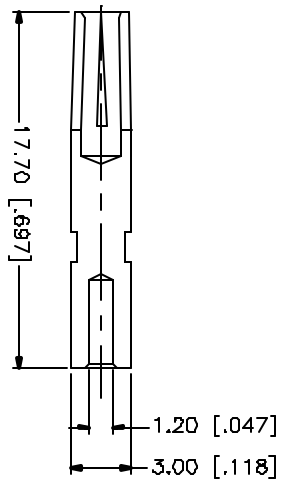
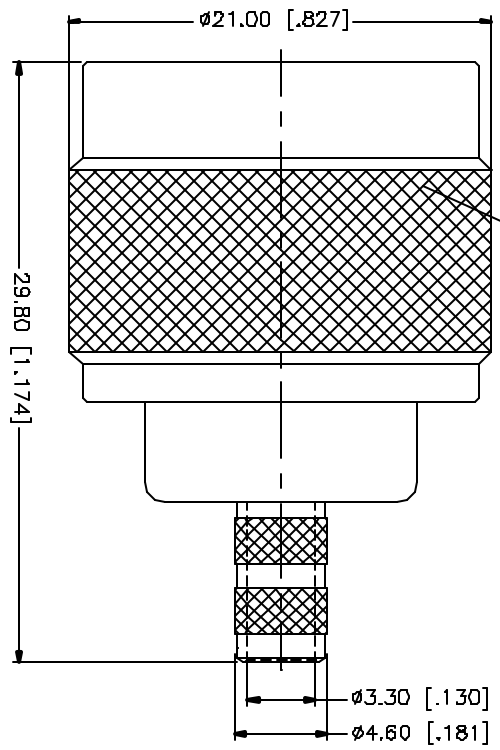


REV.	DATE	DESCRIPTION
NC	05/15/04	INITIAL RELEASE



5/8-24UNEF-2B



MINIMUM STRIPPING LENGTHS BETWEEN THE HOLES AND FOR CRIMPED TERMINALS ONLY.
 MINIMUM STRIPPING LENGTHS
 TOLERANCES FOR MILLIMETER ARE:
 0.5 - 30mm ± 0.20mm
 30 - 120mm ± 0.40mm
 120 - 300mm ± 0.50mm
 MINIMUM STRIPPING LENGTHS
 TOLERANCES FOR INCH ARE:
 .020 - .315 ± 0.007"
 .315 - 1.180 ± 0.015"
 1.180 - 4.724 ± 0.020"

DESCRIPTION	MATERIAL	FINISH	QTY
1	BRASS	NECKOATE	1
2	TEFLON	NATURAL	1
3	PHOS. BRONZE	COLD	1
4	COPPER	NECKOATE	1
5			
6			
7			
8			

APPROVALS	DATE
DRWEN G.R.S.	12/28/04
CHECKED	
ISSUED	
BHEET 1 OF 1	

Amphenol Connex

N REVERSE POLARITY CRIMP PLUG
 (FOR LMR 200, B 7808A CABLE)

PART NO. 172214RP

DWG. NO. 172214RP.DWG

REV. A

SIZE A

SCALE NA

DO NOT SCALE DRAWINGS