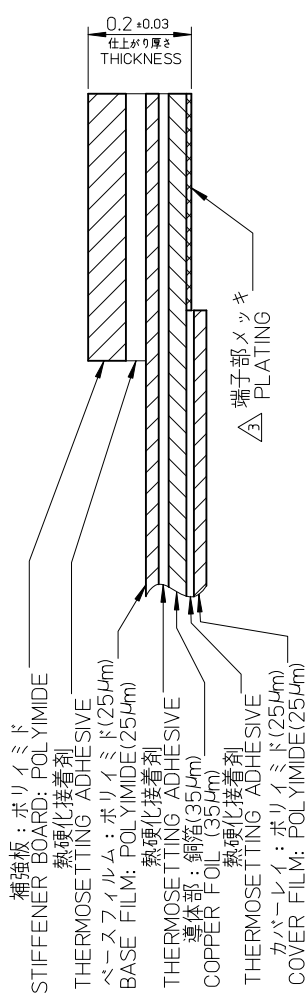


注記 NOTES

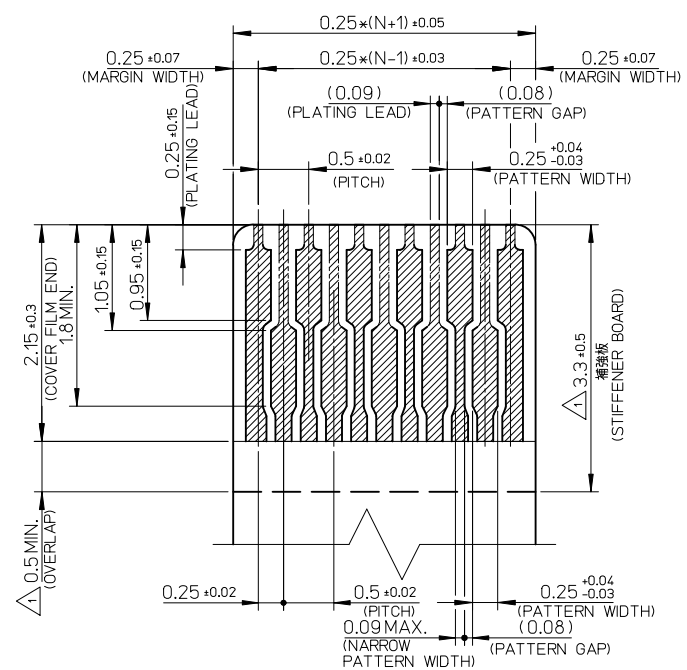
1. 使用材料 MATERIALS
 ハウジング : 液晶ポリマー(UL94V-0、ベージュ)
 アクチュエータ : ポリアミド(UL94HB、黒色)
 端子 : リン青銅
 補強金具 : リン青銅
 HOUSING : LCP (BEIGE)
 ACTUATOR : PA (BLACK)
 TERMINAL : PHOSPHOR BRONZE
 FITTING NAIL : PHOSPHOR BRONZE
2. メッキ仕様 PLATING
 端子 TERMINAL
 接点部 : 金メッキ0.1μm以上
 下地 : ニッケルメッキ1.0μm以上
 CONTACT AREA : Gold PLATING 0.1μm MINIMUM
 UNDER PLATING : Nickel PLATING 1.0μm MINIMUM
 金具 FITTING NAIL
 表面 : スズメッキ 1.0μm 以上
 下地 : ニッケルメッキ1.0μm以上
 ALL OVER : Tin PLATING 1.0μm MINIMUM
 UNDER PLATING : Nickel PLATING 1.0μm MINIMUM
3. 端子、補強金具のコプラナリティーは 0.1 以下とする
 COPLANARITY OF SOLDER TAILS AND FITTING NAILS : 0.1MAX.
4. 一般公差 : ± 0.3
 GENERAL TOLERANCES : ±0.3
 △ アクチュエータの図示箇所にゲート逃げの凹みがあります
 (極数により、レイアウトが異なります)
 THERE ARE DENT SHAPES AT ACTUATOR FOR MOLDING GATE
 (LAYOUT DIFFER ACCORDING TO CIRCUIT NUMBER)
6. ELV & RoHS 適合品
 ELV & RoHS COMPLIANT
7. 塩素系・臭素系難燃剤非使用
 CHLORINATED AND BROMINATED FLAME RETARDANTS FREE

16.34	15.5	14.5	15	17	502078-6160	61
10.84	10	9	9.5	11.5	502078-3960	39
10.34	9.5	8.5	9	11	502078-3760	37
4.34	3.5	2.5	3	5	502078-1360	13
E	D	C	B	A	ORDER NO.	CIRCUIT =N
CONNECTOR SERIES NO.					502078-**68	

REVISED EC NO: J2011-0247 DRWN: YSUGATA 2010/08/17 CHKD: SHOSHIKAWA 2010/08/17 APPR: IKANEKO 2010/08/18	DESCRIPTION	GENERAL TOLERANCES (UNLESS SPECIFIED)		DIMENSION STYLE		SCALE		DESIGN UNITS		THIRD ANGLE PROJECTION
				MM ONLY		20:1		METRIC		
		10 UNDER ± ---		DRAWN BY DATE		TITLE		0.25 PITCH FPC CONN E/O HGT=1.0 BTM CONTACT TYPE		
		10 OVER 30 UNDER ± ---		YFUJITA 2009/08/07						
30 OVER ± ---		CHECKED BY DATE		SHOSHIKAWA 2009/08/07		MOLEX INCORPORATED		DOCUMENT NO.		
ANGULAR ±1 °		APPROVED BY DATE		AHORINO 2009/08/07		SEE CHART		SD-502078-005		
DRAFT WHERE APPLICABLE MUST REMAIN WITHIN DIMENSIONS		MATERIAL NO.		SIZE		THIS DRAWING CONTAINS INFORMATION THAT IS PROPRIETARY TO MOLEX INCORPORATED AND SHOULD NOT BE USED WITHOUT WRITTEN PERMISSION		SHEET NO.		
				A3				1 OF 2		



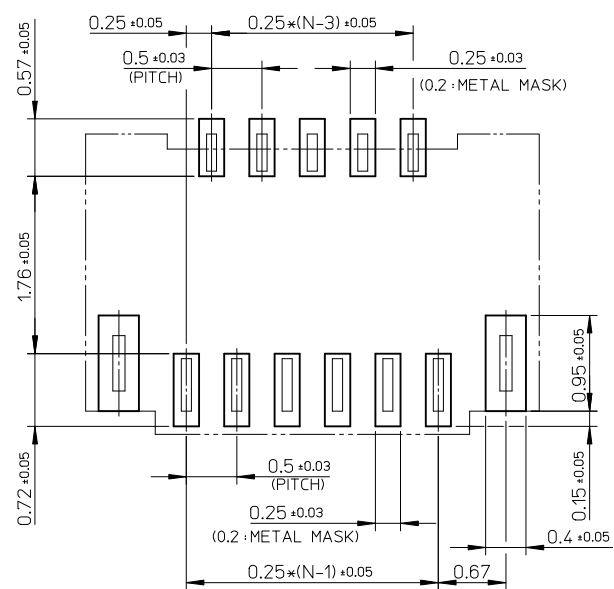
FPC 構成材料例
EXAMPLE OF FPC
COMPOSITION MATERIAL



適合するFPC 推奨寸法
APPLICABLE FPC
RECOMMENDED DIMENSION
(端子部仕上がり厚さ : 0.2±0.03)
(THICKNESS: 0.2±0.03)

注記 NOTES

- △ 補強板長さが図面通り確保できない場合は、カバーレイと補強板のオーバーラップ寸法を 0.5mm 以上としてください
WHEN STIFFENER BOARD DIMENSION CAN NOT BE SECURED AS DRAWING, PLEASE GIVE THE OVERLAP SIZE OF COVER FILM AND STIFFENER BOARD AS 0.5mm MINIMUM
- 2 推奨ペースト厚 : 100μm
推奨マスク開口率 : 80%
RECOMMEND SCREEN THICKNESS : 100μm
RECOMMEND SCREEN OPEN RATIO : 80%



FPC 挿入側
FPC INSERTION SIDE
参考基板レイアウト
RECOMMENDED PCB
PATTERN DIMENSIONS (REF.)

- △ FPCパターンのメッキ仕様は
金メッキ : 0.1μm以上
下地ニッケルメッキ : 2~6μm
FPC PATTERN PLATING
GOLD PLATING : 0.1μm MINIMUM
NICKEL UNDER PLATING : 2~6μm

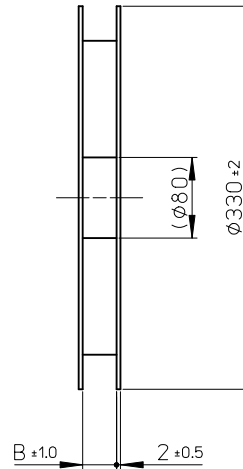
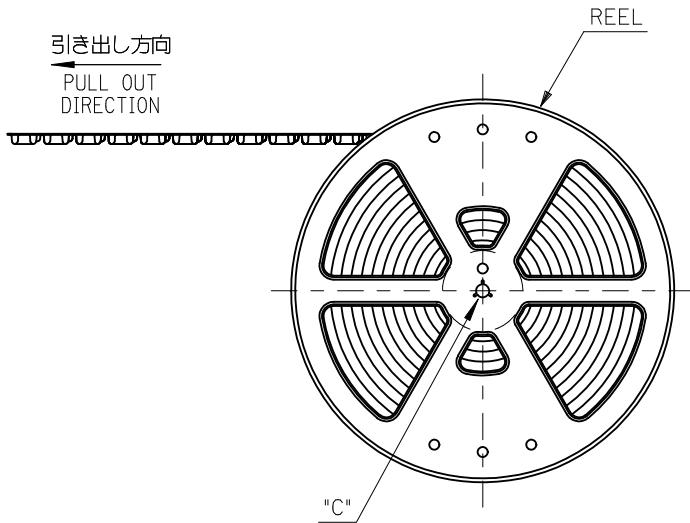
4 FPCについて (ABOUT FPC)
抜き方向は、導体側から補強板側を推奨します
補強板材質は、ポリイミドを推奨します
接着剤は熱硬化接着剤を推奨します
なお、接着剤の接点部への付着は導通不良の原因となりますので染み出しがないよう、お願いします
RECOMMENDED PUNCHER DIRECTION:
FROM CONDUCTOR SIDE TO STIFFENER BOARD SIDE
RECOMMENDED MATERIAL:
STIFFENER BOARD: POLYIMIDE
BONDING AGENT: THERMOSETTING AGENT
PLEASE PUT APPROPRIATE AMOUNT OF ADHESIVE ON THE CONTACT AREA BECAUSE THE EXTRA ADHESIVE MAY CAUSE THE DEFECT IN ELECTRICAL CONTINUITY

REVISED EC NO.: J2011-0247 DRWN: YSUGATA 2010/08/17 CHKD: SHOSHIKAWA 2010/08/17 APPR: IKANEKO 2010/08/18	GENERAL TOLERANCES (UNLESS SPECIFIED)		DIMENSION STYLE MM ONLY	SCALE 20:1	DESIGN UNITS METRIC	THIRD ANGLE PROJECTION
	10 UNDER	± ---	DRAWN BY YFUJITA	DATE 2009/08/07	TITLE 0.25 PITCH FPC CONN E/O HGT=1.0 BTM CONTACT TYPE	
	10 OVER 30 UNDER	± ---	CHECKED BY SHOSHIKAWA	DATE 2009/08/07	MOLEX INCORPORATED	
	30 OVER	± ---	APPROVED BY AHORINO	DATE 2009/08/07		
ANGULAR	±1 °	MATERIAL NO. SEE SHEET 1 OF 2	DOCUMENT NO. SD-502078-005	SHEET NO. 2 OF 2		
DRAFT WHERE APPLICABLE MUST REMAIN WITHIN DIMENSIONS		SIZE A3	THIS DRAWING CONTAINS INFORMATION THAT IS PROPRIETARY TO MOLEX INCORPORATED AND SHOULD NOT BE USED WITHOUT WRITTEN PERMISSION			

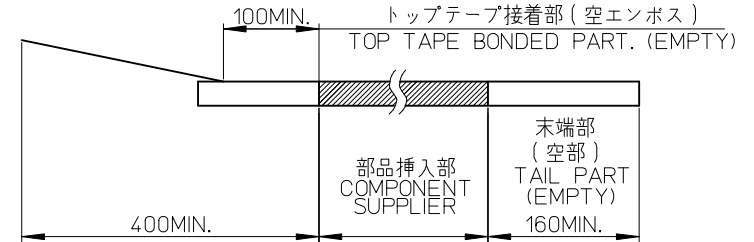
注記 NOTES

- 製品詳細寸法については図面 SD-502078-005 を参照下さい。
RE DETAILED DIMENSION, SEE SD-502078-005
- 梱包数量：3000 個/リール
NUMBER OF CONNECTORS : 3000 PCS/REEL
- リードテープ長さ LEAD TAPE LENGTH

引き出し方向
PULL OUT
DIRECTION

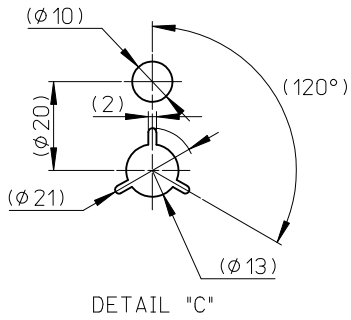


引き出し方向
PULL OUT
DIRECTION



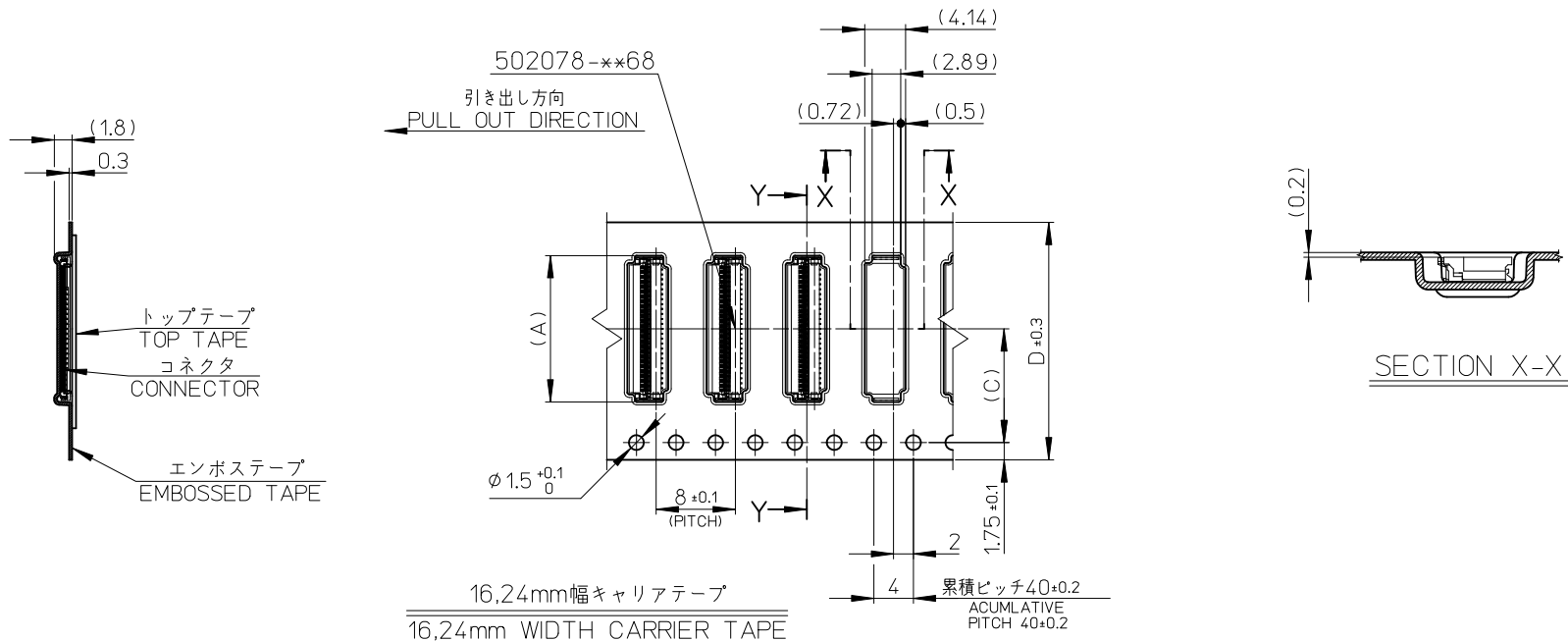
4. 材料 MATERIAL

キャリアテープ (CARRIER TAPE) : ポリスチレン (POLYSTYRENE)
 トップテープ (TOP TAPE) : PET , PE , PEF
 リール (REEL) : ポリスチレン (PS) <リサイクル材を含む>
 POLYSTYRENE (PS) <RECYCLE MATERIAL CONTAINED>



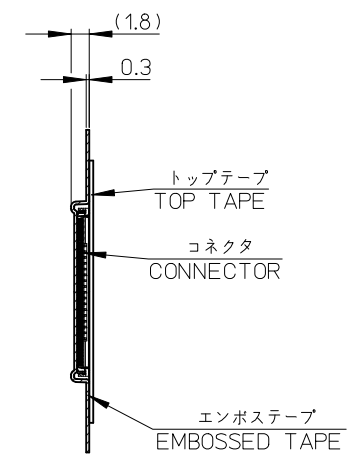
CONNECTOR SERIES NO. 502078-**68

REVISED EC NO: J2011-0247 DRWN: YSUGATA 2010/08/17 CHKD: SHOSHIKAWA 2010/08/17 APPR: IKANEKO 2010/08/18	DESCRIPTION REV	GENERAL TOLERANCES (UNLESS SPECIFIED)		DIMENSION STYLE MM ONLY		SCALE 1:1	DESIGN UNITS METRIC	THIRD ANGLE PROJECTION		
		10 UNDER	± ---	DRAWN BY YFUJITA	DATE 2009/08/07	TITLE 0.25MM PITCH FPC CONN HGT=1.0 HSG ASSY EMBOSSED TAPE PACKAGE MOLEX INCORPORATED				
		10 OVER 30 UNDER	± ---	CHECKED BY SHOSHIKAWA	DATE 2009/08/07					
		30 OVER	± ---	APPROVED BY AHORINO	DATE 2009/08/07					
ANGULAR ±1 °		DRAFT WHERE APPLICABLE MUST REMAIN WITHIN DIMENSIONS		MATERIAL NO. SEE CHART		DOCUMENT NO. SD-502078-006		SHEET NO. 1 OF 3		
SIZE A3 THIS DRAWING CONTAINS INFORMATION THAT IS PROPRIETARY TO MOLEX INCORPORATED AND SHOULD NOT BE USED WITHOUT WRITTEN PERMISSION										

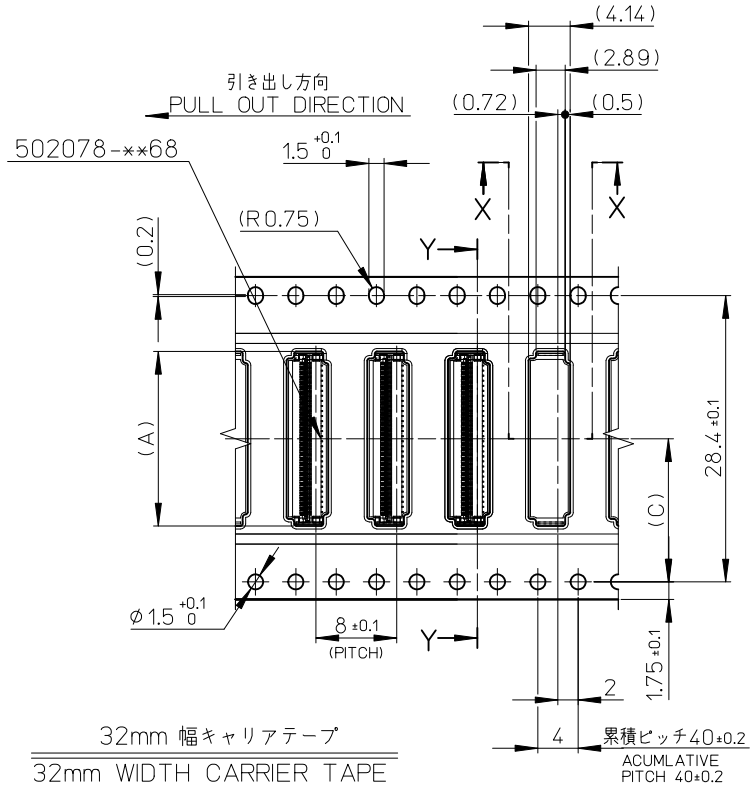


24	11.5	25.4	11.8	502078-3960	39
			11.3	502078-3760	37
16	7.5	17.4	5.3	502078-1360	13
D キャリアテープ幅 CARRIER TAPE WIDTH	C	B	(A)	オーダー番号 ORDER NO.	極数 CIRCUITS
				CONNECTOR SERIES NO. 502078-**-68	

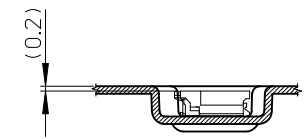
REVISED EC NO: J2011-0247 DRWN: YSUGATA 2010/08/17 CHKD: SHOSHIKAWA 2010/08/17 APPR: IKANEKO 2010/08/18	DESCRIPTION	GENERAL TOLERANCES (UNLESS SPECIFIED)		DIMENSION STYLE MM ONLY		SCALE 1:1		DESIGN UNITS METRIC		THIRD ANGLE PROJECTION		
		10 UNDER	± ---	DRAWN BY YFUJITA	DATE 2009/08/07	TITLE 0.25MM PITCH FPC CONN HGT=1.0 HSG ASSY EMBOSSED TAPE PACKAGE						
		10 OVER 30 UNDER	± ---	CHECKED BY SHOSHIKAWA	DATE 2009/08/07	MOLEX INCORPORATED						
		30 OVER	± ---	APPROVED BY AHORINO	DATE 2009/08/07	MATERIAL NO. SEE CHART		DOCUMENT NO. SD-502078-006		SHEET NO. 2 OF 3		
ANGULAR ±1 °		DRAFT WHERE APPLICABLE MUST REMAIN WITHIN DIMENSIONS		THIS DRAWING CONTAINS INFORMATION THAT IS PROPRIETARY TO MOLEX INCORPORATED AND SHOULD NOT BE USED WITHOUT WRITTEN PERMISSION								



SECTION Y-Y



32mm 幅キャリアテープ
32mm WIDTH CARRIER TAPE



SECTION X-X

14.2	33.4	17.3	502078-6160	61
C	B	(A)	オーダー番号 ORDER NO.	極数 CIRCUITS
CONNECTOR SERIES NO. 502078-6160				

REVISED EC NO: J2011-0247 DRWN: YSUGATA 2010/08/17 CHK'D: SHOSHIKAWA 2010/08/17 APPR: IKANEKO 2010/08/18	GENERAL TOLERANCES (UNLESS SPECIFIED)		DIMENSION STYLE MM ONLY		SCALE 1:1		DESIGN UNITS METRIC		THIRD ANGLE PROJECTION	
	10 UNDER	± ---	DRAWN BY	DATE	TITLE					
	10 OVER 30 UNDER	± ---	YFUJITA	2009/08/07	0.25MM PITCH FPC CONN HGT=1.0 HSG ASSY EMBOSSED TAPE PACKAGE MOLEX INCORPORATED					
	30 OVER	± ---	SHOSHIKAWA	2009/08/07						
ANGULAR	± 1 °	APPROVED BY	DATE	MATERIAL NO.		DOCUMENT NO.		SHEET NO.		
DRAFT WHERE APPLICABLE MUST REMAIN WITHIN DIMENSIONS		AHORINO	2009/08/07	SEE CHART		SD-502078-006		3 OF 3		
		SIZE	THIS DRAWING CONTAINS INFORMATION THAT IS PROPRIETARY TO MOLEX INCORPORATED AND SHOULD NOT BE USED WITHOUT WRITTEN PERMISSION							
		A3								