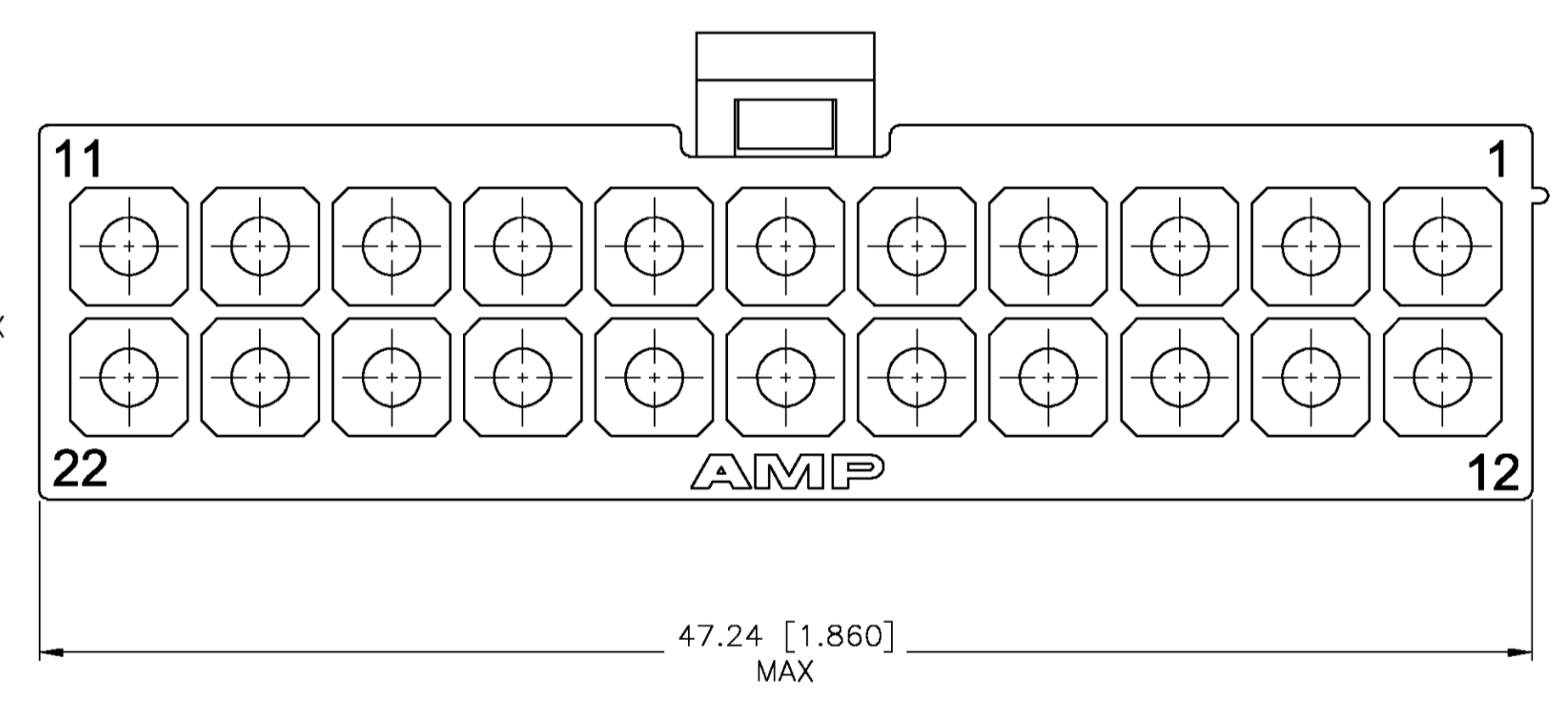
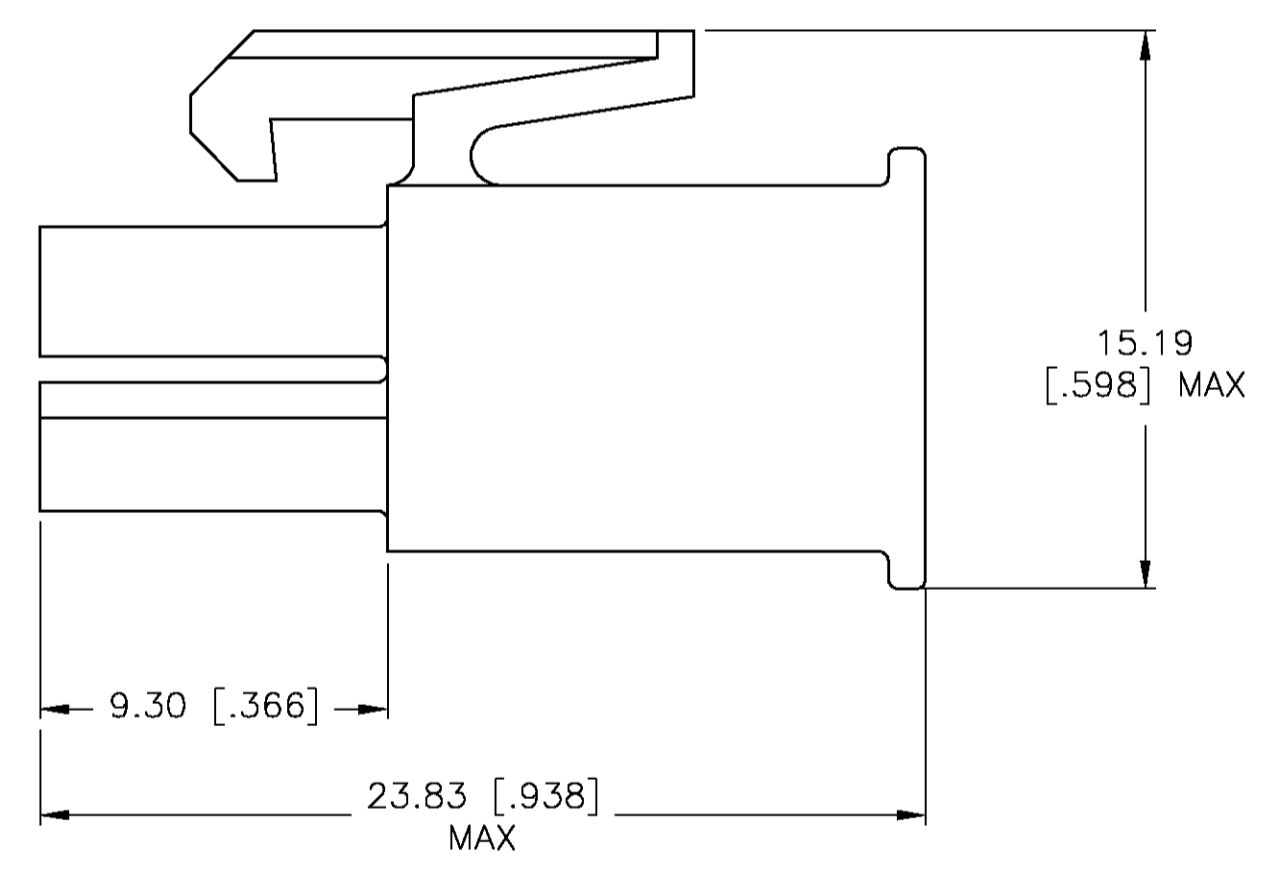
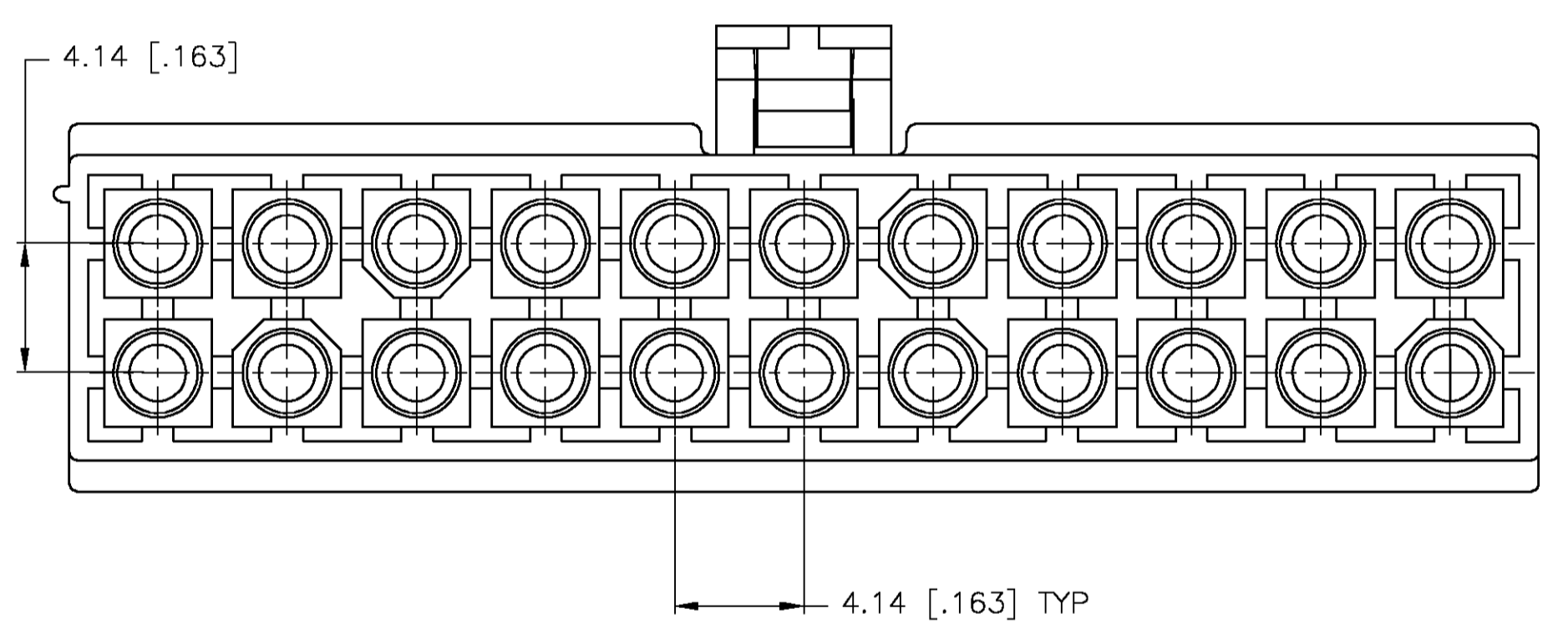
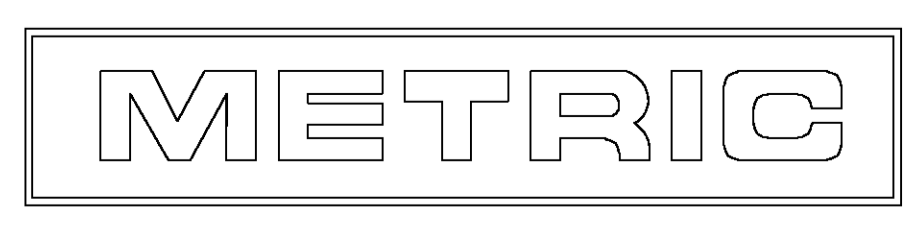


LOC		DIST		REVISIONS				
P	LTR	DESCRIPTION	DATE	OWN	APVD			
F		REVISED PER 0G3B-0960-04	22-NOV-04	KW	CJ			

1. INDIVIDUAL CORING FEATURES AROUND BASES OF SILOS MAY NOT BE PRESENT IN ALL LOCATIONS SHOWN.



770586-1
PART NUMBER



THIS DRAWING IS A CONTROLLED DOCUMENT.		OWN S. HOOVER	12-MAY-2004		Tyco Electronics Corporation Harrisburg, Pa 17105-3608	
DIMENSIONS: mm [INCHES]		CHK C. JONES	12-MAY-2004		PLUG, 22 CIRCUIT, MINI UNIVERSAL MATE-N-LOK™	
TOLERANCES UNLESS OTHERWISE SPECIFIED:		APVD C. JONES	12-MAY-2004	APPLICATION SPEC		
0 PLC ±		NAME		SIZE CAGE CODE DRAWING NO		
1 PLC ±		PRODUCT SPEC		RESTRICTED TO		
2 PLC ±		APPLICATION SPEC		WEIGHT		
3 PLC ± 0.13 [.005]		CUSTOMER DRAWING		A1 00779 C=770586		
4 PLC ±		SCALE		SHEET 1 OF 1 REV F		
ANGLES ±		SCALE 4:1				
FINISH						
MATERIAL NYLON, UL 94V-0 WHITE						