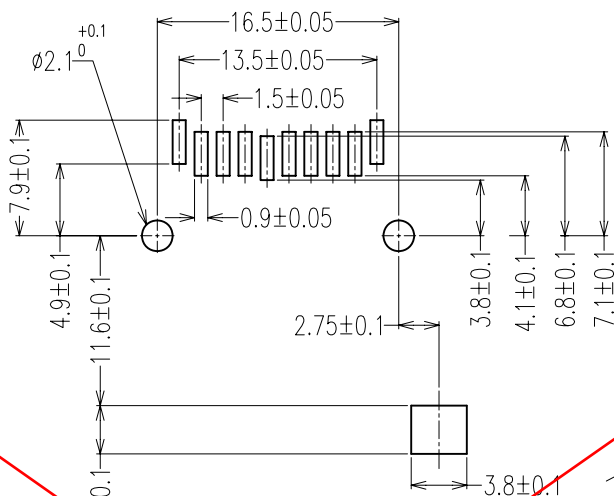


**OBSOLETE**



RECOMMENDED PCB LAYOUT (TOP VIEW)  
 TOLERANCES: ±0.05 mm

SPECIFICATIONS:

MATERIAL:-

INSULATOR: LCP, UL94V-0

CONTACT: PHOSPHOR BRONZE

FINISH:-

CONTACT: GOLD OVER NICKEL UNDERPLATE

SOLDER TAIL: TIN OVER NICKEL UNDERPLATE

ELECTRICAL:-

CURRENT RATING: 1 AMP MAX.

CONTACT RESISTANCE: 100 mΩ MAX.

INSULATION RESISTANCE: 1000 MΩ MIN.

MECHANICAL:-

DURABILITY: 5000 CYCLES MIN.

ENVIRONMENTAL:-

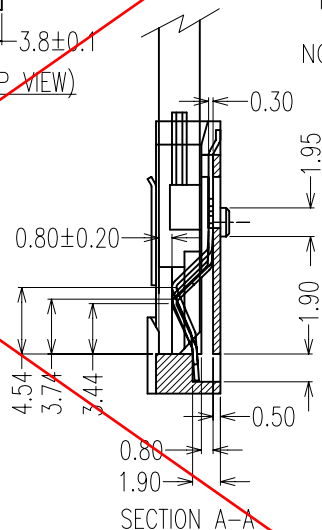
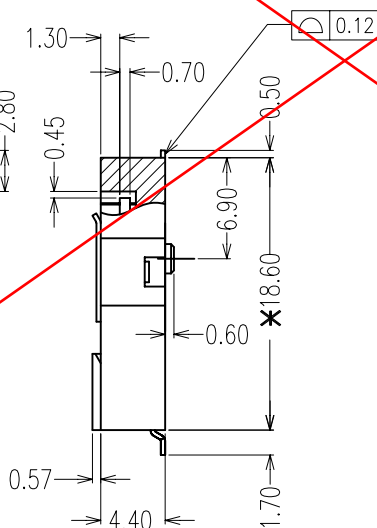
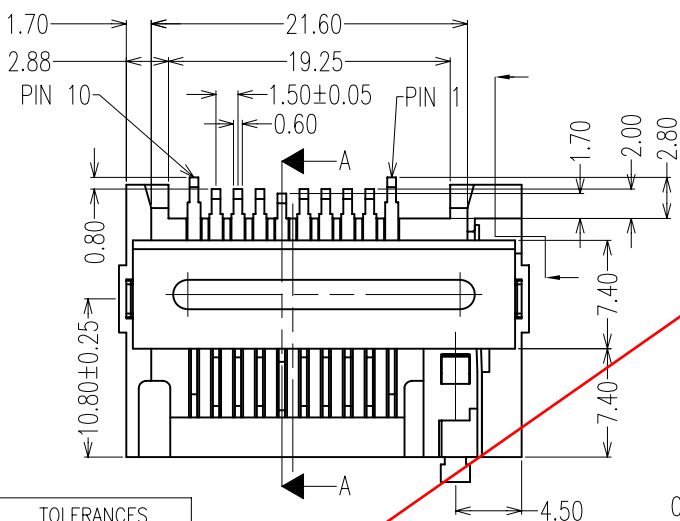
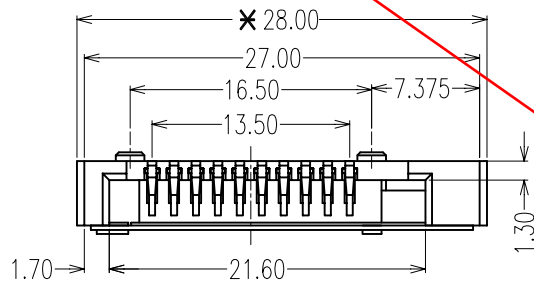
TEMPERATURE RANGE: -40°C TO + 85°C

NOTES: ALL DIMENSIONS AND NOTES

MARKED X ARE CRITICAL AND

MUST BE CHECKED IN ACCORDANCE

WITH QUALITY DOC. Q1-02A



TOLERANCES  
 X. = ±0.5mm  
 X.X = ±0.30mm  
 X.XX = ±0.20mm

Allan	1	01.08.06	-
NAME	ISS.	DATE	C/NOTE
APPROVED: <i>Alan</i>			
CHECKED:			
DRAWN: Allan			
CUSTOMER REF.:			
ASSEMBLY DRG:			

**HARWIN**

HARWIN USA  
 TEL: 603 893 5376  
 FAX: 603 893 5396  
 mis@harwin.com

HARWIN Europe (UK)  
 TEL: 023 9231 4545  
 FAX: 023 9231 4590  
 mis@harwin.co.uk

HARWIN Asia  
 TEL: +65 6 779 4909  
 FAX: +65 6 779 3868  
 mis@harwin.com.sg

THIS DRAWING AND ANY INFORMATION OR DESCRIPTIVE MATTER SET OUT HEREON ARE CONFIDENTIAL AND COPYRIGHT PROPERTY OF THE HARWIN GROUP AND MUST NOT BE DISCLOSED, LOANED, COPIED OR USED FOR MANUFACTURING, TENDERING OR FOR ANY OTHER PURPOSE WITHOUT THEIR WRITTEN PERMISSION.

TOLERANCES  
 X. = ±1mm  
 X.X = ±0.25mm  
 X.XX = ±0.10mm  
 X.XXX = ±0.01mm  
 ANGLES = ±5°  
 UNLESS STATED

MATERIAL: SEE NOTES  
 FINISH: SEE NOTES  
 S/AREA: mm<sup>2</sup>

TITLE: MEMORY STICK SOCKET STANDARD  
 DRAWING NUMBER: M506-5582042  
 SHT 1 OF 1