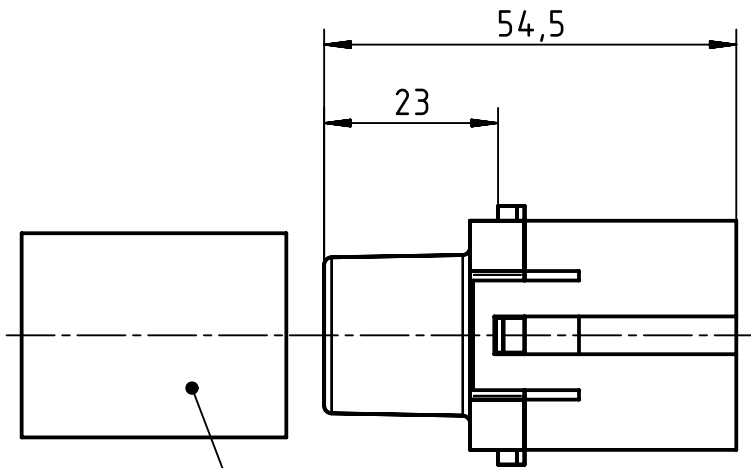
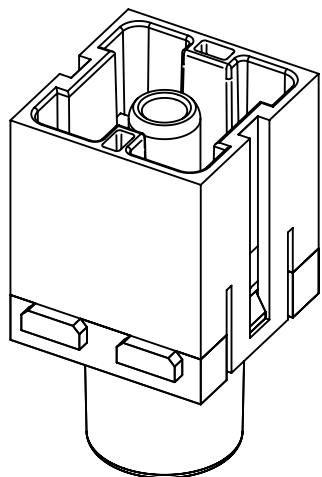
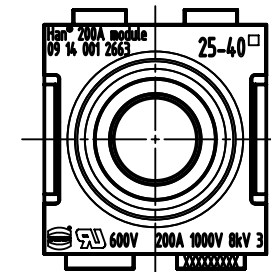
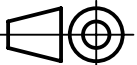



SW5



heat shrink tube



	All Dimensions in mm Original Size DIN A4		Scale 1:1	Free size tol.		Ref.	
						Sub.	
	All rights reserved Department EL PD - DE		Created by FINKEV	Inspected by BERGHORN	Standardisation TIEMANNA	Date 2016-08-19	State Final Release
	HARTING Electric GmbH & Co. KG D-32339 Espelkamp		Title Han 200A axial module, male 25-40 mm ²			Doc-Key / ECM-Nr. 100132868/UGD/007/B 500000107871	
			Type TB	Number 09 14 001 2663		Rev. B	Page 1/1