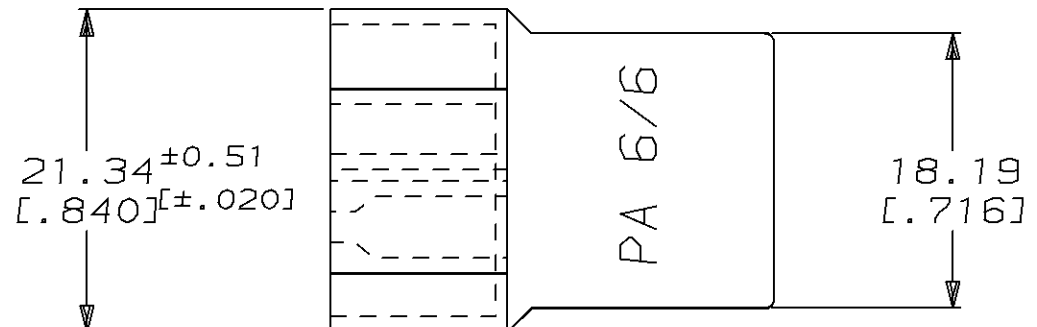
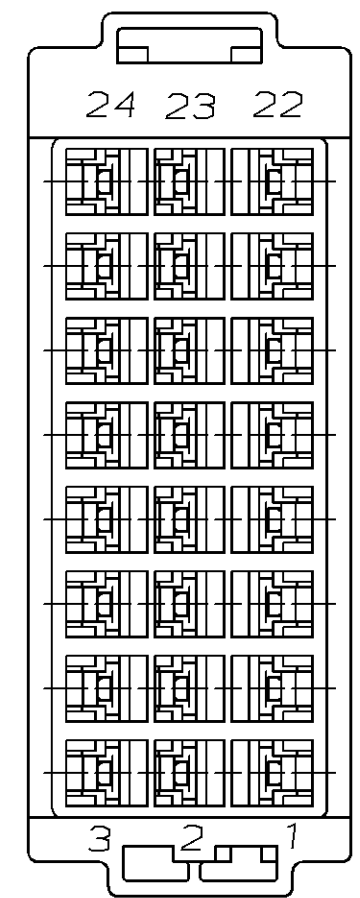
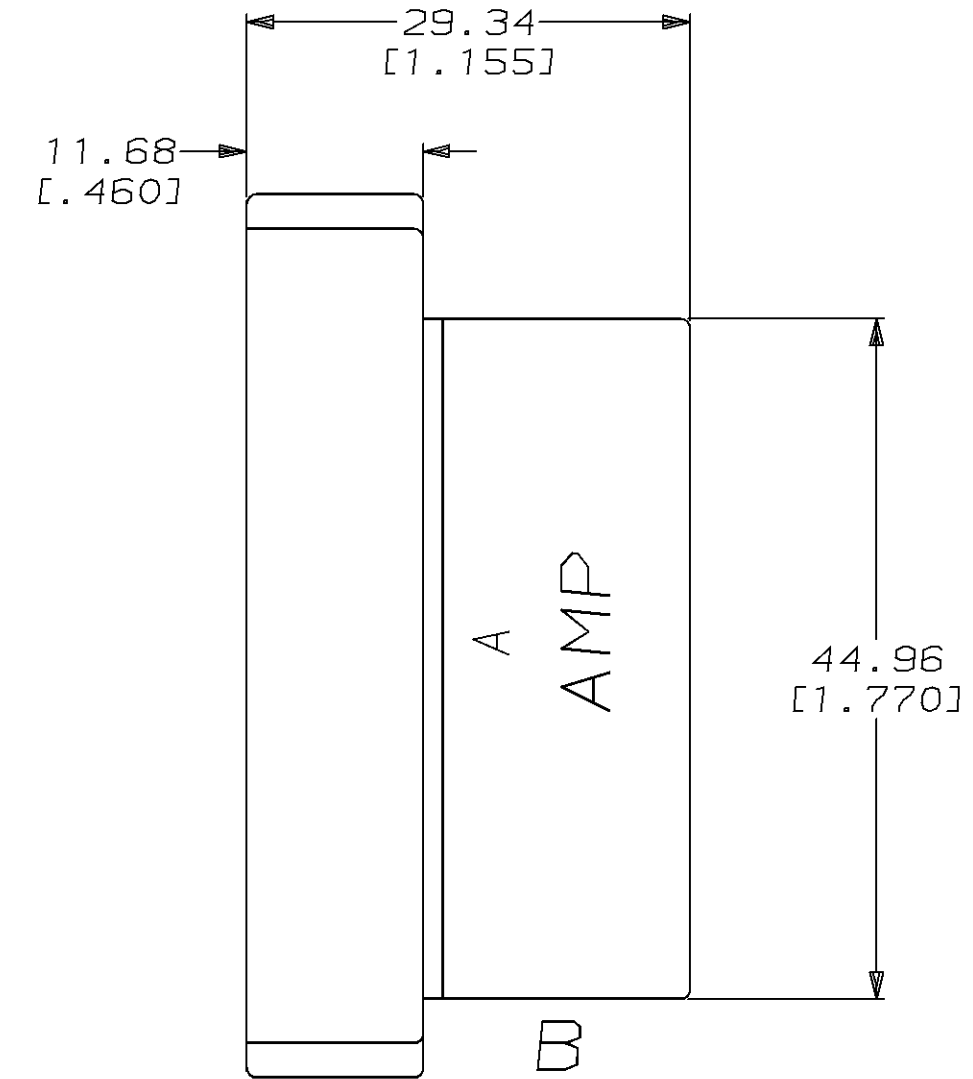
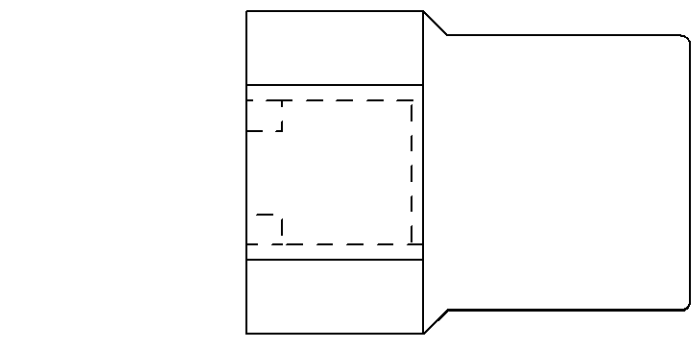
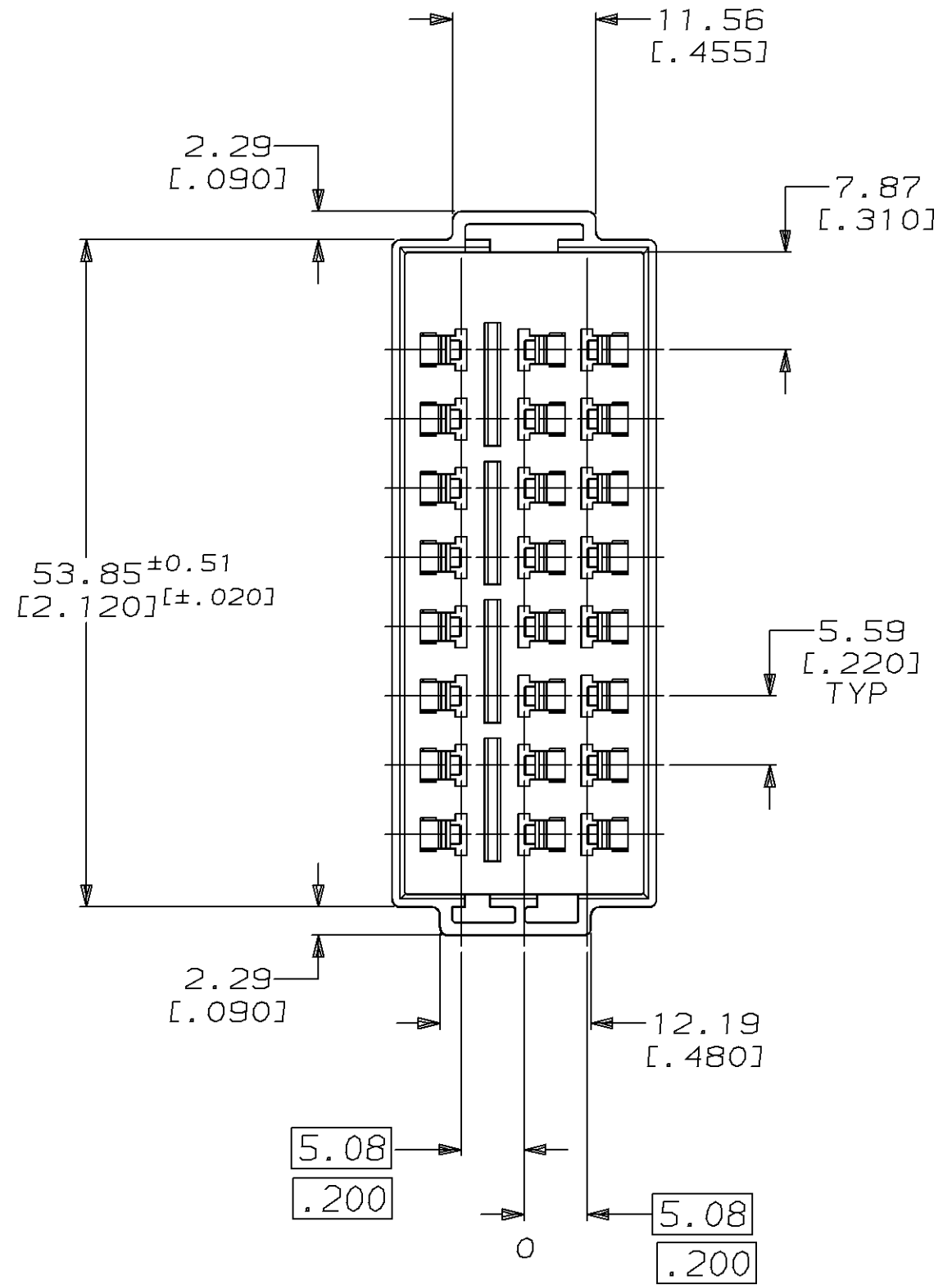


LOC		DIST		REVISIONS				DATE	APPD
AF	50	P	F	ZONE	LTR	DESCRIPTION			
				B		RELEASE PER FASR & 0475-94	9/15/94	PF/JF	

- 1 MATES WITH AMP P/N 770197-1.
- 2 ACCEPTS 3.18 [.125] BLADE TERMINAL AMP P/N 63627-1.



521062-1
PART NO

DO NOT SCALE PRINT. UNLESS SPECIFIED DIMENSIONS IN mm [INCHES] TOLERANCES ON : 2 PLC DEC ±0.25 [.010] 3 PLC DEC ± - ANGLES ± -	DR 4/28/94 PHILLIP M FORTNEY	AMP Incorporated Harrisburg, PA 17105-3608			
	CHK 4/28/94 JEFF RUTH				
	MATERIAL 6/6 NYLON	APPD 4/28/94 DON DECKER	NAME HOUSING, RIGHT HAND, 24 CIRCUIT, CAP		
	FINISH COLOR-BLACK	APPD 4/28/94 RON KUZO	PRODUCT SPEC -	SIZE C	CAGE CODE 00779
	APPLICATION SPEC -	WEIGHT -	SCALE 2:1	SHEET 1 OF 1	

THIS DRAWING IS A CONTROLLED DOCUMENT FOR AMP INCORPORATED. IT IS SUBJECT TO CHANGE AND THE CONTROLLING ENGINEERING ORGANIZATION SHOULD BE CONTACTED FOR THE LATEST REVISION.