

AMPHENOL PART NUMBER CONFIGURATION  
 UE86-3G1620-X0X61

LIGHT PIPE OPTION

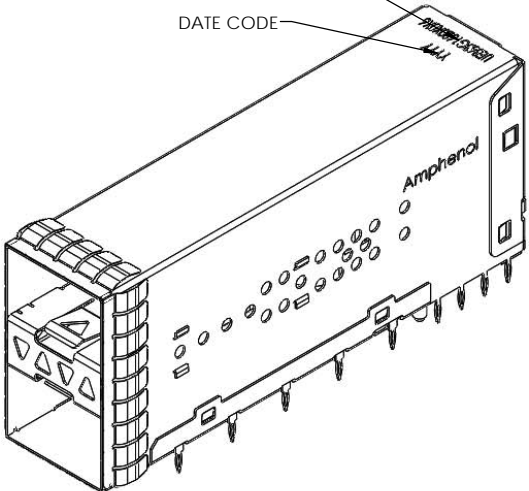
- 0 - NO LIGHT PIPE
- 1 - 4 LP PER 2X1, NORMAL ORIENTATION
- 2 - 2 INNER LP PER 2X1, NORMAL ORIENTATION
- 3 - 2 OUTER LP PER 2X1, NORMAL ORIENTATION
- 4 - 4 LP PER 2X1, REVERSING ORIENTATION
- 5 - 2 INNER LP PER 2X1, REVERSING ORIENTATION
- 6 - 2 OUTER LP PER 2X1, REVERSING ORIENTATION
- 7 - 3 LP PER 2X1, 2 OUTER LP, NORMAL ORIENTATION
- 8 - 3 LP PER 2X1, 2 OUTER LP, REVERSING ORIENTATION

PACKAGING  
 1 - TRAY PACKAGING (STACKED)

- PLATING OPTIONS FOR CONNECTOR
- 2 - 30µ" GOLD PLATING ON MATING AREA  
 15-100µ" MATTE TIN ON TERMINATION
  - 3 - 30µ" GOLD PLATING ON MATING AREA  
 150-300µ" MATTE TIN ON TERMINATION
  - 5 - 15µ" GOLD PLATING ON MATING AREA  
 15-100µ" MATTE TIN ON TERMINATION
  - 6 - 15µ" GOLD PLATING ON MATING AREA  
 150-300µ" MATTE TIN ON TERMINATION

PART NUMBER (LAST DIGIT INDICATING PACKAGING TYPE. NOT PRINTED ON THE PART)

DATE CODE



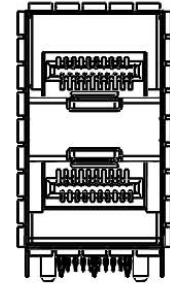
MATERIAL: (RoHS COMPLIANT)

1. CAGE - PRESS FIT: COPPER ALLOY (NICKEL SILVER)
2. CONNECTOR - PRESS FIT:  
 - PLASTIC HOUSING: LCP, FLAMMABILITY RATING UL94-V0  
 - CONTACTS: PHOSPHOR BRONZE
3. LIGHT PIPE: CLEAR POLYCARBONATE, FLAMMABILITY RATING UL94-V0
4. PACKAGING: TRAY PACKAGING
5. TEMPERATURE RANGE: -40°C TO +85°C

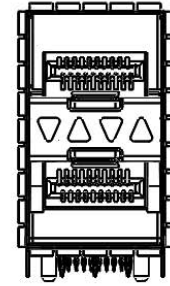


THIS DOCUMENT CONTAINS PROPRIETARY INFORMATION AND SUCH INFORMATION MAY NOT BE DISCLOSED TO OTHERS FOR ANY PURPOSE OR USED FOR MANUFACTURING PURPOSES WITHOUT WRITTEN PERMISSION FROM AMPHENOL CANADA CORP.

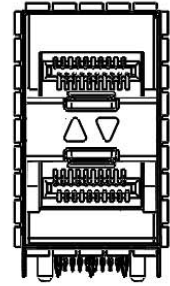
REVISIONS				
REV.	ECN	DESCRIPTION	DATE	APPROVED
C		UPDATE NOTES	AUG 15/14	J.SI
D		CHANGED PCB THICKNESS	NOV 03/15	J.SI
E		REMOVED DIM. ZONE A2, SHEET 2 OF 4	OCT 28/16	J.SI



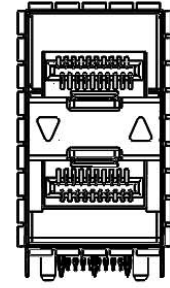
NO LIGHT PIPES  
 UE86-3G1620-00X61



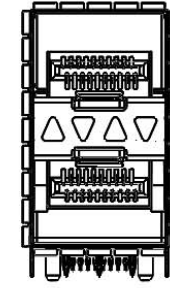
4 LIGHT PIPES  
 UE86-3G1620-10X61



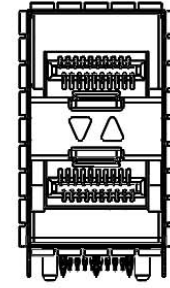
2 INNER LIGHT PIPES  
 UE86-3G1620-20X61



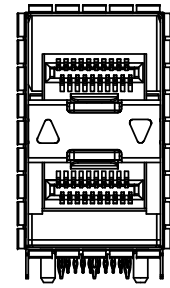
2 OUTER LIGHT PIPES  
 UE86-3G1620-30X61



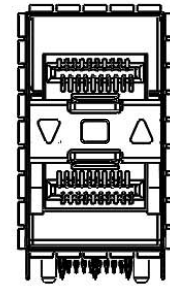
4 LIGHT PIPES UPSIDE DOWN  
 UE86-3G1620-40X61



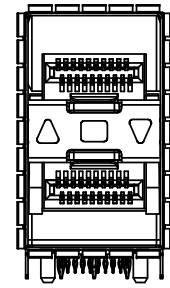
2 INNER LIGHT PIPES UPSIDE DOWN  
 UE86-3G1620-50X61



2 OUTER LIGHT PIPES UPSIDE DOWN  
 UE86-3G1620-60X61



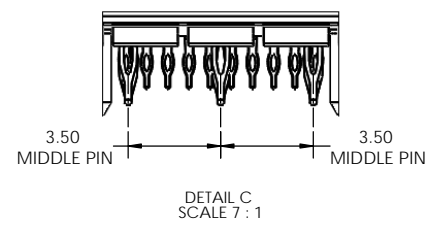
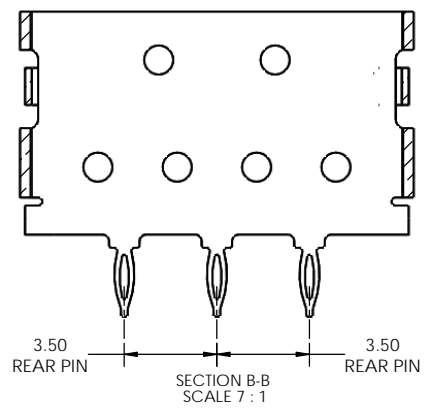
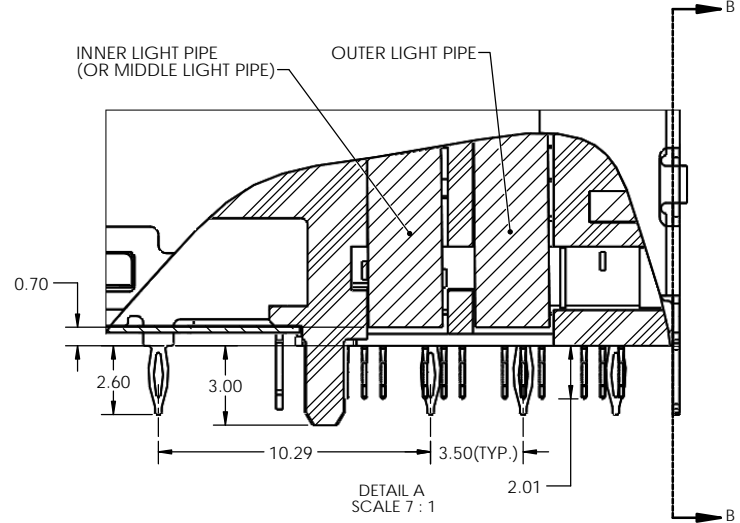
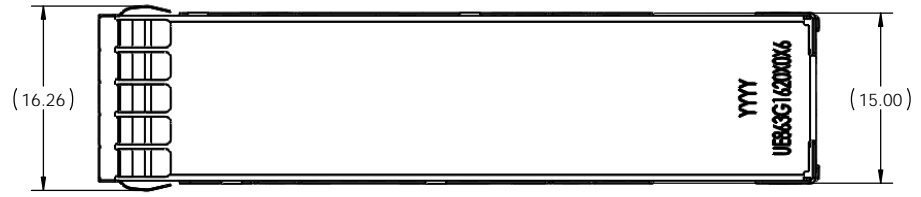
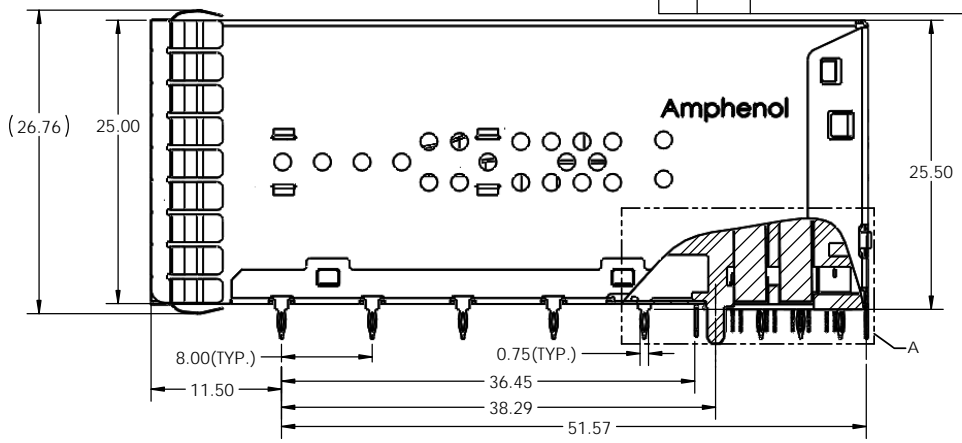
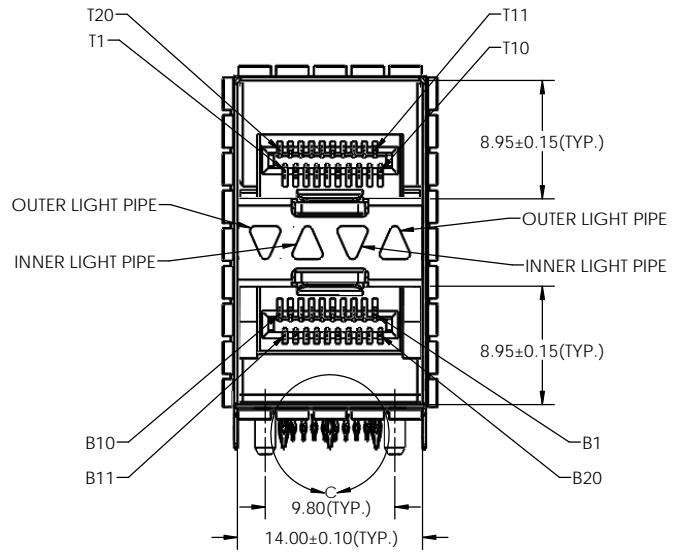
3 LIGHT PIPES  
 UE86-3G1620-70X61



3 LIGHT PIPES UPSIDE DOWN  
 UE86-3G1620-80X61

UNLESS SPECIFIED OTHERWISE	DRAWN	P. OU	FEB 06/14	<b>Amphenol High Speed Interconnects</b> A Division of Amphenol Corp. www.amphenolcanada.com
DIMENSIONS ARE IN MILLIMETERS	CHECKED	J. SI	NOV03/15	
REFERENCE IN PARENTHESES	M.E. APP'D			2X1 SFP ULTRAPORT WITH LIGHT PIPE OPTIONS AND EMI SPRING FINGER
GENERAL TOLERANCES	Q.A. APP'D			
1 DECIMAL PLACE ±0.25	DWG APP'D	J. SI	NOV03/15	DWG. NO. <b>P-UE86-3G1620-X0X61</b>
2 DECIMAL PLACE ±0.15	MATERIAL AND FINISH	SEE NOTES		
3 DECIMAL PLACE N/A	REF.	ECN Exxxxx		REV E
ANGULAR DEGREES ±1°	THIRD ANGLE PROJECTION	DO NOT SCALE DRAWING		CODE ID NO. 03554
ENG. REL. NO.		DWG. SIZE: C	SCALE: 2.5:1	SHEET 1 OF 4

REVISIONS				
REV.	ECN	DESCRIPTION	DATE	APPROVED
C		UPDATE NOTES	AUG 15/14	J.SI
D		CHANGED PCB THICKNESS	NOV 03/15	J.SI
E		REMOVED DIM. ZONE A2, SHEET 2 OF 4	OCT 28/16	J.SI



UNLESS SPECIFIED OTHERWISE	DRAWN	P. OU	FEB 06/14
DIMENSIONS ARE IN MILLIMETERS	CHECKED	J. SI	NOV03/15
REFERENCE IN PARENTHESES	M.E. APP'D		
GENERAL TOLERANCES	Q.A. APP'D		
1 DECIMAL PLACE ±0.25	DWG APP'D	J. SI	NOV03/15
2 DECIMAL PLACE ±0.15	MATERIAL AND FINISH	SEE NOTES	
3 DECIMAL PLACE N/A	REF.	ECN Exxxxx	
ANGULAR DEGREES ±1°	THIRD ANGLE PROJECTION	DO NOT SCALE DRAWING	
ENG. REL. NO.			

**Amphenol High Speed Interconnects**  
 A Division of Amphenol Corp. [www.amphenolcanada.com](http://www.amphenolcanada.com)

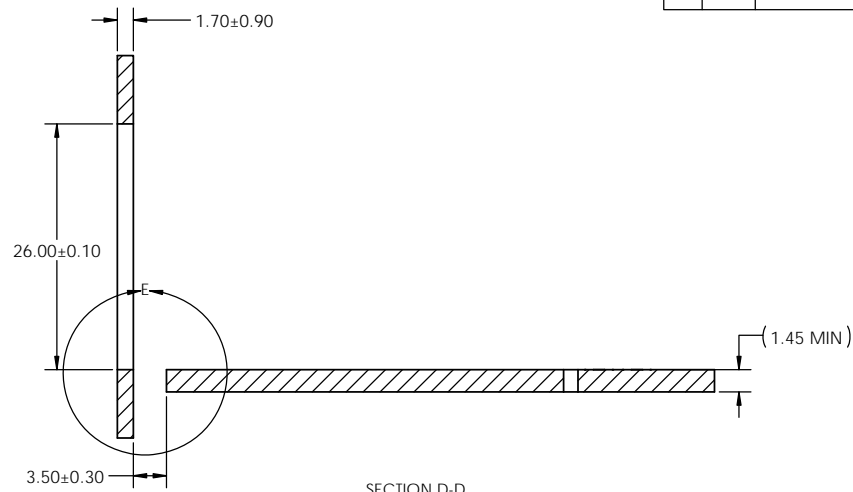
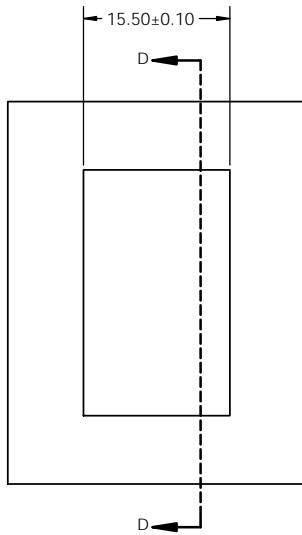
2X1 SFP ULTRAPORT WITH LIGHT PIPE  
 OPTIONS AND EMI SPRING FINGER

DWG. NO. P-UE86-3G1620-X0X61

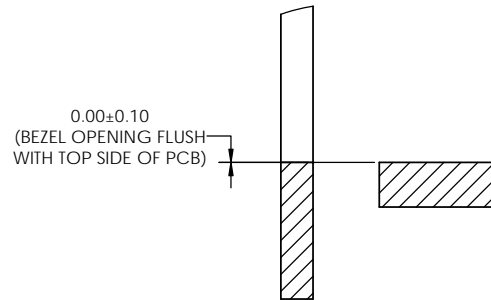
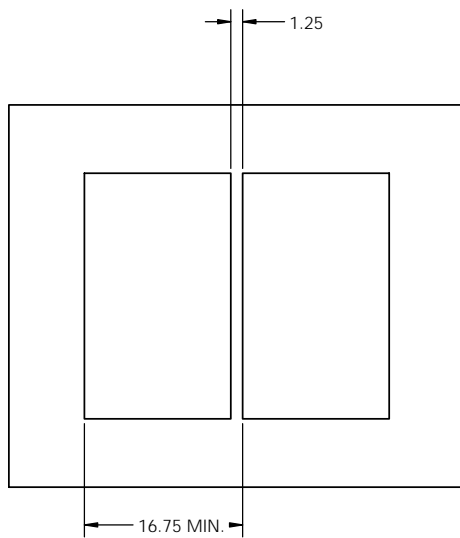
CODE ID NO. 03554 DWG SIZE: C SCALE: 3:1 SHEET 2 OF 4

THIS DOCUMENT CONTAINS PROPRIETARY INFORMATION AND SUCH INFORMATION MAY NOT BE DISCLOSED TO OTHERS FOR ANY PURPOSE OR USED FOR MANUFACTURING PURPOSES WITHOUT WRITTEN PERMISSION FROM AMPHENOL CANADA CORP.

REVISIONS				
REV.	ECN	DESCRIPTION	DATE	APPROVED
C		UPDATE NOTES	AUG 15/14	J.SI
D		CHANGED PCB THICKNESS	NOV 03/15	J.SI
E		REMOVED DIM. ZONE A2, SHEET 2 OF 4	OCT 28/16	J.SI



SECTION D-D



DETAIL E  
SCALE 5 : 1

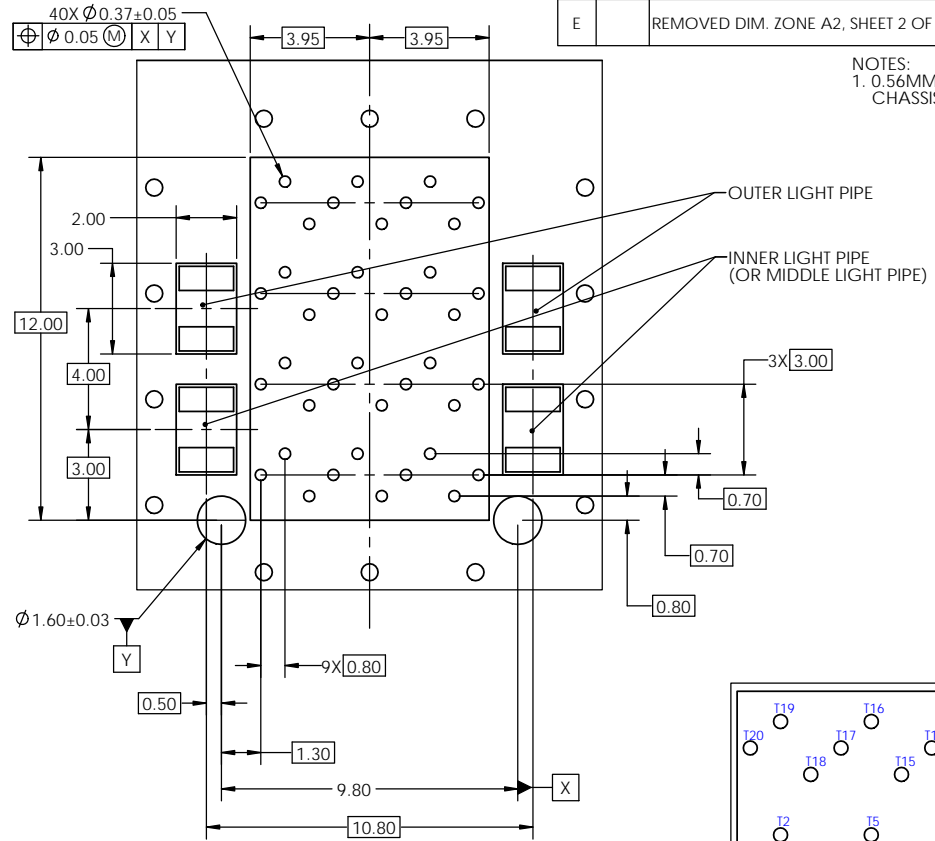
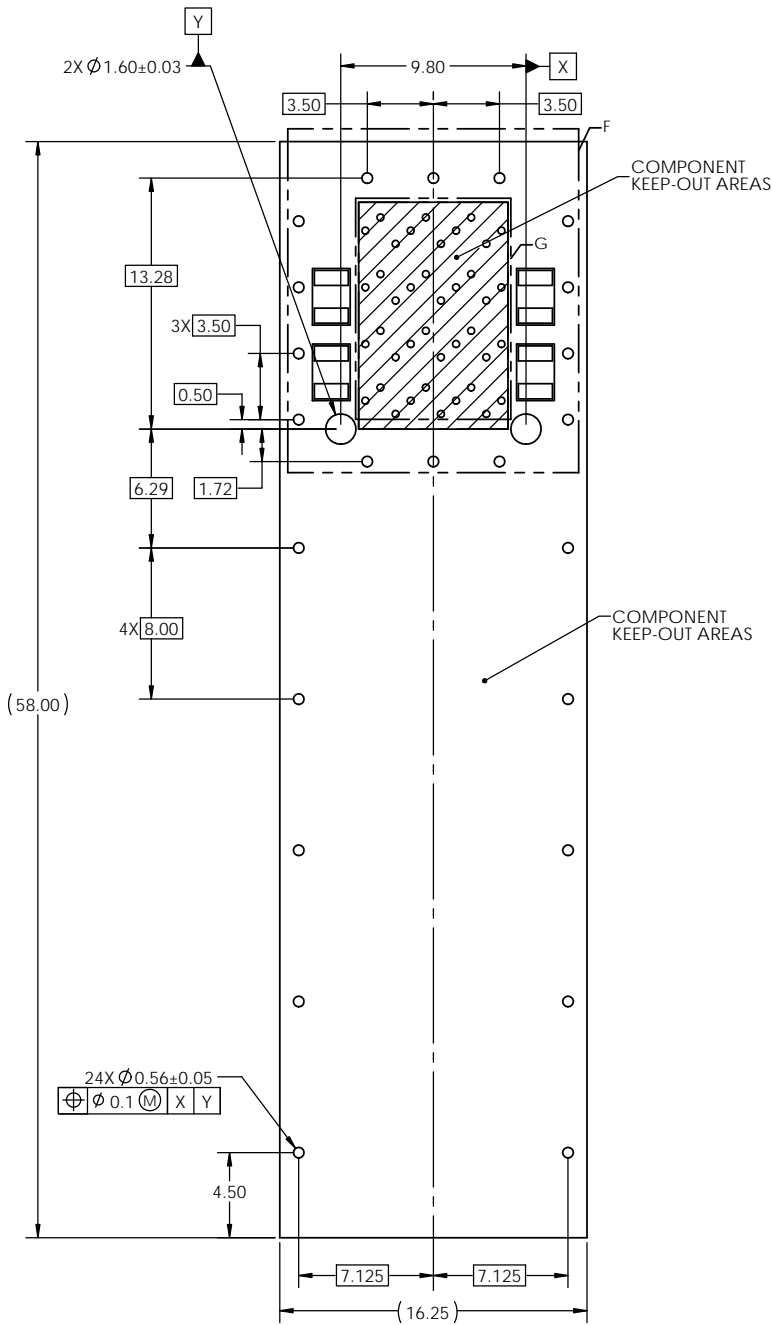
THIS DOCUMENT CONTAINS PROPRIETARY INFORMATION AND SUCH INFORMATION MAY NOT BE DISCLOSED TO OTHERS FOR ANY PURPOSE OR USED FOR MANUFACTURING PURPOSES WITHOUT WRITTEN PERMISSION FROM AMPHENOL CANADA CORP.

UNLESS SPECIFIED OTHERWISE	DRAWN	P. OU	FEB 06/14
DIMENSIONS ARE IN MILLIMETERS	CHECKED	J. SI	NOV03/15
REFERENCE IN PARENTHESES	M.E. APP'D		
GENERAL TOLERANCES	Q.A. APP'D		
1 DECIMAL PLACE ±0.25	DWG APP'D	J. SI	NOV03/15
2 DECIMAL PLACE ±0.15	MATERIAL AND FINISH	SEE NOTES	
3 DECIMAL PLACE N/A	REF.	ECN Exxxxx	
ANGULAR DEGREES ±1°	THIRD ANGLE PROJECTION	DO NOT SCALE DRAWING	
ENG. REL. NO.			

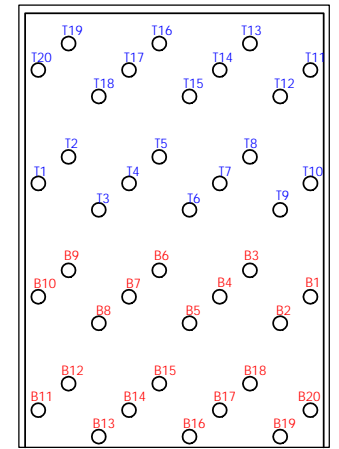
**Amphenol High Speed Interconnects**  
A Division of Amphenol Corp. [www.amphenolcanada.com](http://www.amphenolcanada.com)

2X1 SFP ULTRAPORT WITH LIGHT PIPE  
OPTIONS AND EMI SPRING FINGER

DWG. NO.	P-UE86-3G1620-X0X61	REV	E
CODE ID NO.	03554	DWG SIZE:	C
SCALE:	2.5:1	SHEET	3 OF 4



DETAIL F  
SCALE 8 : 1



DETAIL G  
SCALE 10 : 1

## 2X1 PCB LAYOUT

REVISIONS				
REV.	ECN	DESCRIPTION	DATE	APPROVED
C		UPDATE NOTES	AUG 15/14	J.SI
D		CHANGED PCB THICKNESS	NOV 03/15	J.SI
E		REMOVED DIM. ZONE A2, SHEET 2 OF 4	OCT 28/16	J.SI

NOTES:  
1. 0.56MM DIAMETER HOLES ARE CHASSIS GROUND (24 HOLES)

UNLESS SPECIFIED OTHERWISE	DRAWN	P. OU	FEB 06/14	<b>Amphenol High Speed Interconnects</b> A Division of Amphenol Corp. <a href="http://www.amphenolcanada.com">www.amphenolcanada.com</a>
DIMENSIONS ARE IN MILLIMETERS	CHECKED	J. SI	NOV03/15	
REFERENCE IN PARENTHESES	M.E. APP'D			2X1 SFP ULTRAPORT WITH LIGHT PIPE OPTIONS AND EMI SPRING FINGER
GENERAL TOLERANCES	Q.A. APP'D			
1 DECIMAL PLACE $\pm 0.25$	DWG APP'D	J. SI	NOV03/15	DWG. NO. P-UE86-3G1620-X0X61
2 DECIMAL PLACE $\pm 0.15$	MATERIAL AND FINISH	SEE NOTES		
3 DECIMAL PLACE N/A	REF.	ECN Exxxxx		REV E
ANGULAR DEGREES $\pm 1^\circ$	THIRD ANGLE PROJECTION	DO NOT SCALE DRAWING		
ENG. REL. NO.		CODE ID NO.	03554	DWG SIZE: C
		SCALE:	2.5:1	SHEET 4 OF 4