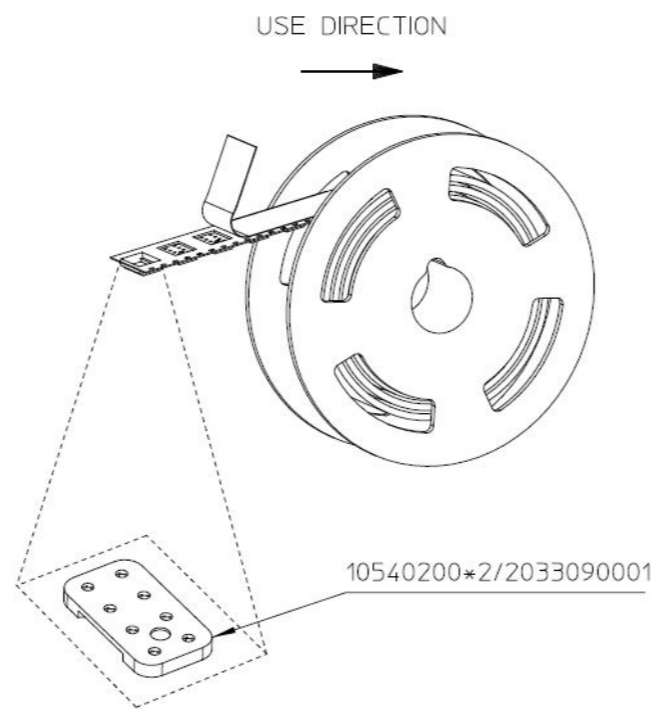
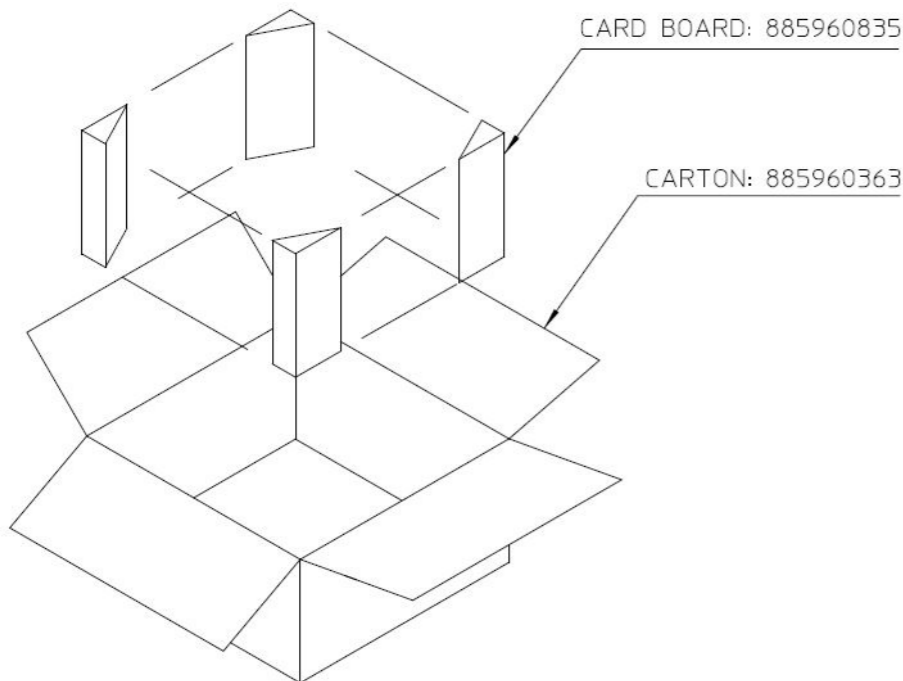
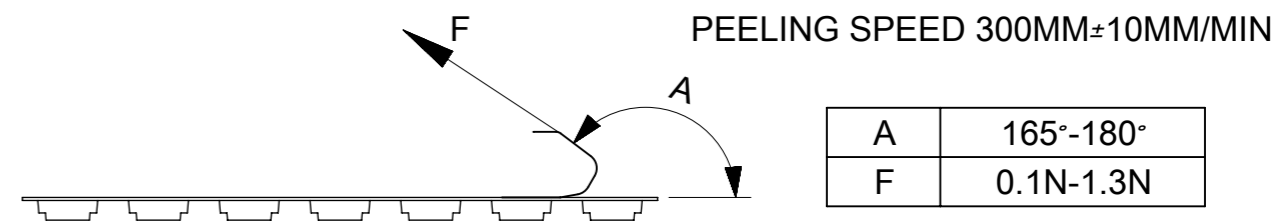


COVER TAPE PEELING FORCE



NOTE:

1. QUANTITY: 1800PCS/REEL.
2. 6 REELS IN A CARTON.
3. ADD THE SELF-SEALED PLASTICS BAGS ON 6 REELS
4. COMPLIANT TO RoHS DIRECTIVE 2011/65/EU AND ELV DIRECTIVE 2000/53/EC.

REEL	885960354
COVER TAPE	894990121
CARRIER TAPE	885961386
DESCRIPTION	DESCRIPTION

QUALITY SYMBOLS FA = 0 FE = 0 FB = 0 ▼ = 0 C = 0 ⊗ = 0 ■ = 0 ∇ = 0	THIS DRAWING CONTAINS INFORMATION THAT IS PROPRIETARY TO MOLEX ELECTRONIC TECHNOLOGIES, LLC AND SHOULD NOT BE USED WITHOUT WRITTEN PERMISSION				
	EC NO: 108039 DRWN: YXZHENG CHK'D: AYIN REV APPR: AYIN	2016/12/19 2016/12/18 2017/02/07	GENERAL TOLERANCES (UNLESS SPECIFIED) ANGULAR TOL ± 2.0 ° 4 PLACES ± 3 PLACES ± 2 PLACES ± 0.1 1 PLACE ± 0.2 0 PLACES ±	DIMENSION UNITS: MM SCALE: 2:1 DRWN BY: YXZHENG DATE: 2016/05/19 CHK'D BY: AYIN DATE: 2016/05/20 APPR BY: AYIN DATE: 2016/05/26	molex® PK DRAWING FOR PUCK, 8 PIN CONNECTOR PACKAGING DESIGN DRAWING
	DRAFT WHERE APPLICABLE MUST REMAIN WITHIN DIMENSIONS	DRAWING SIZE: A3 THIRD ANGLE PROJECTION	SERIES: 105402 MATERIAL NUMBER: SEE CHART CUSTOMER: GENERAL MARKET	DOCUMENT NUMBER: PK-105402-002 DOC TYPE: PDD DOC PART: 000 SHEET NUMBER: 1 OF 2	
	B	REV	APPR	DATE	DATE

RELEASE STATUS	RELEASE DATE
----------------	--------------