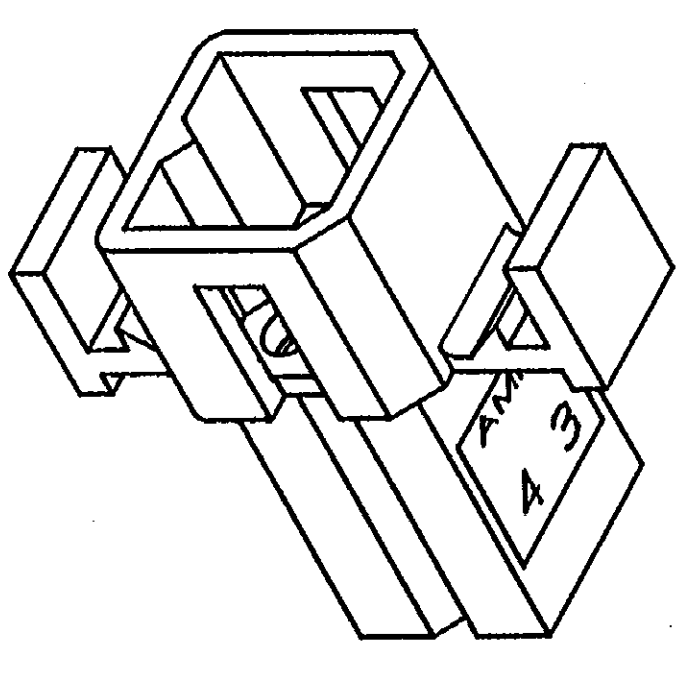
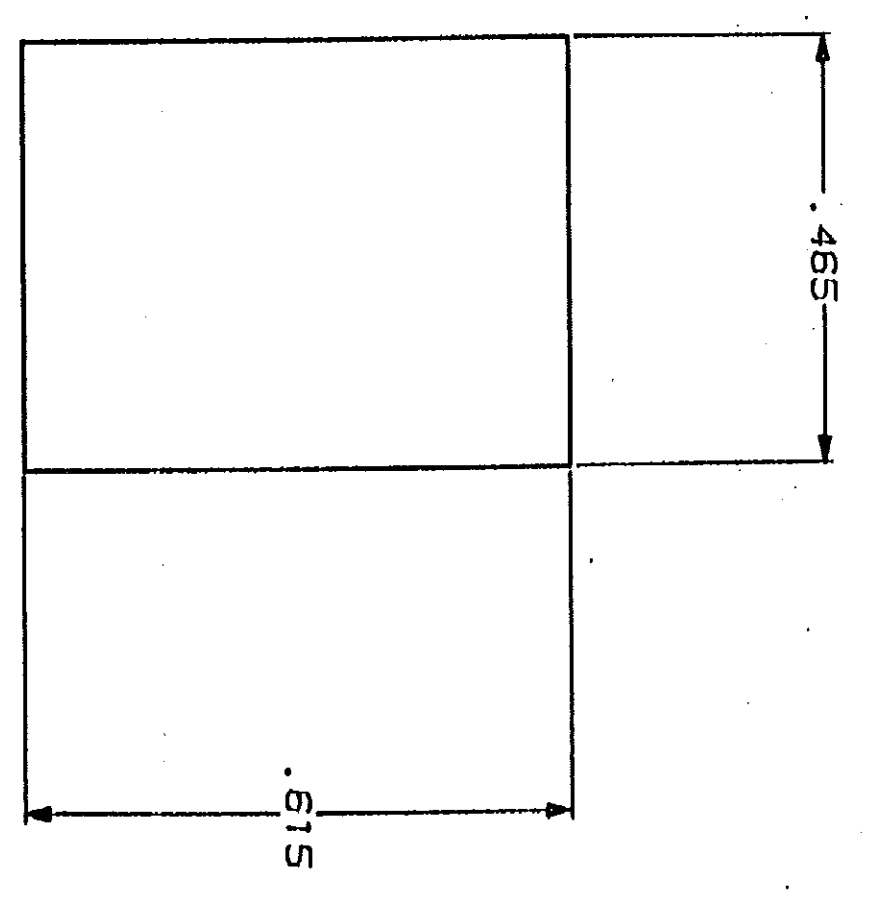
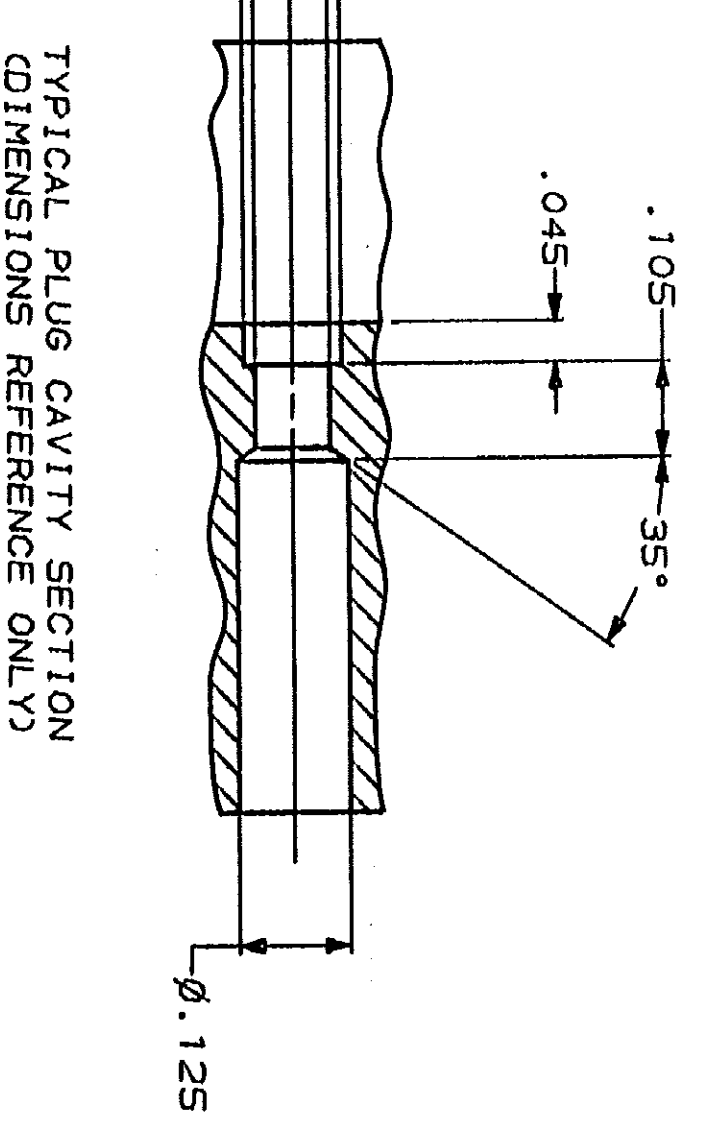
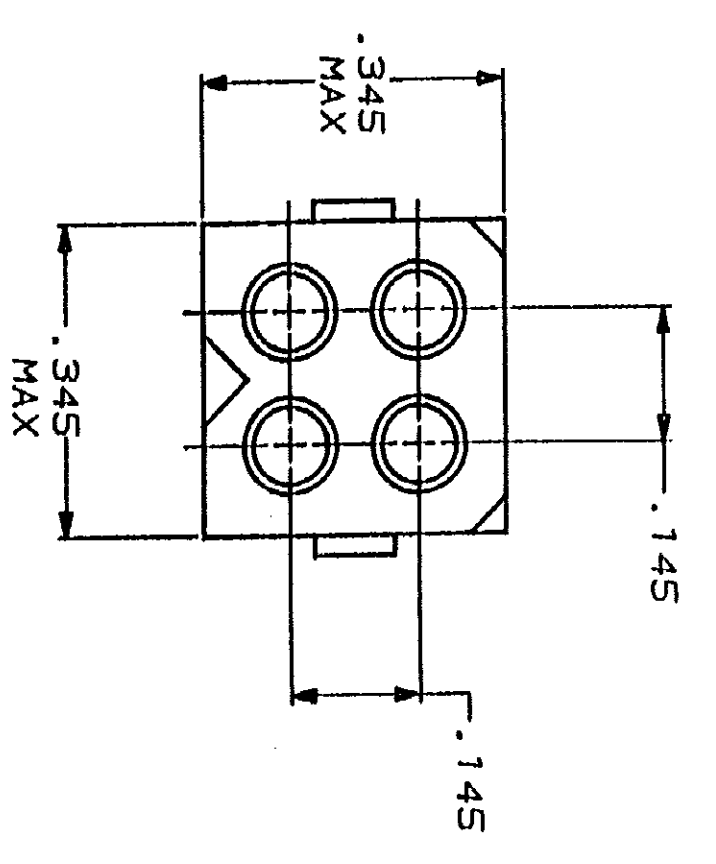
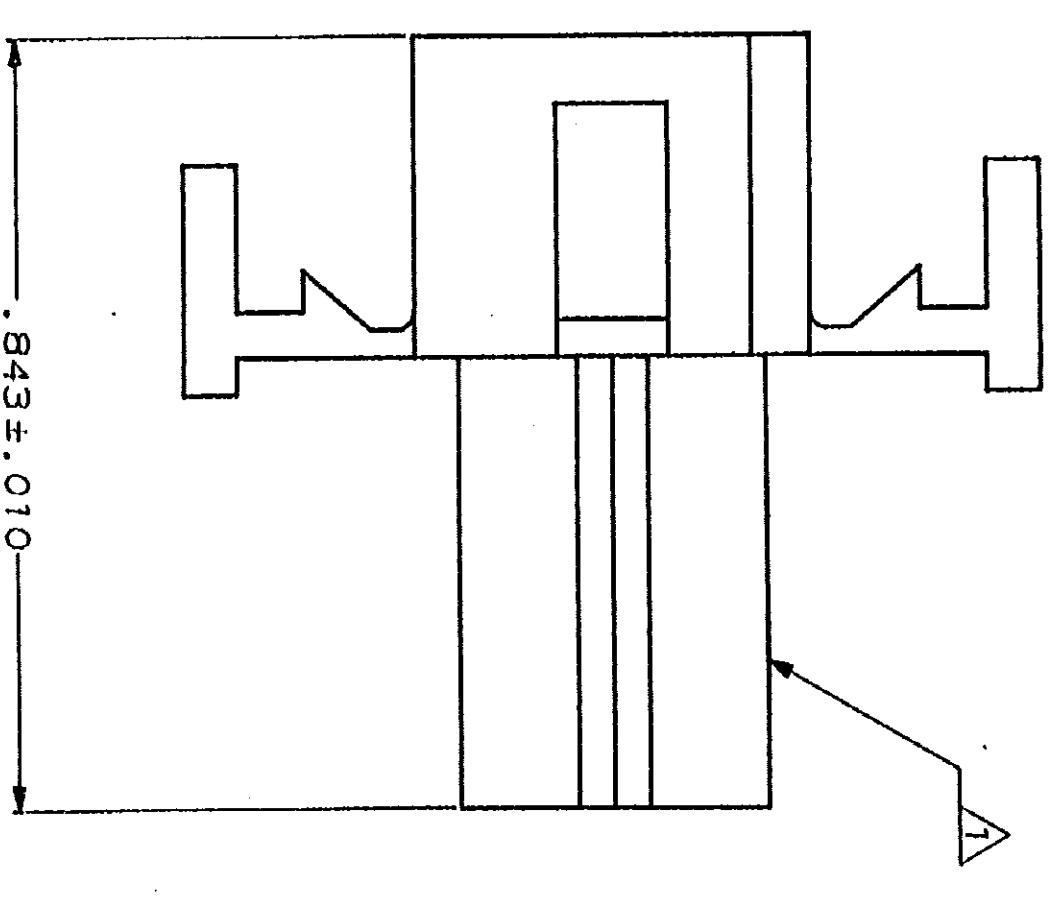
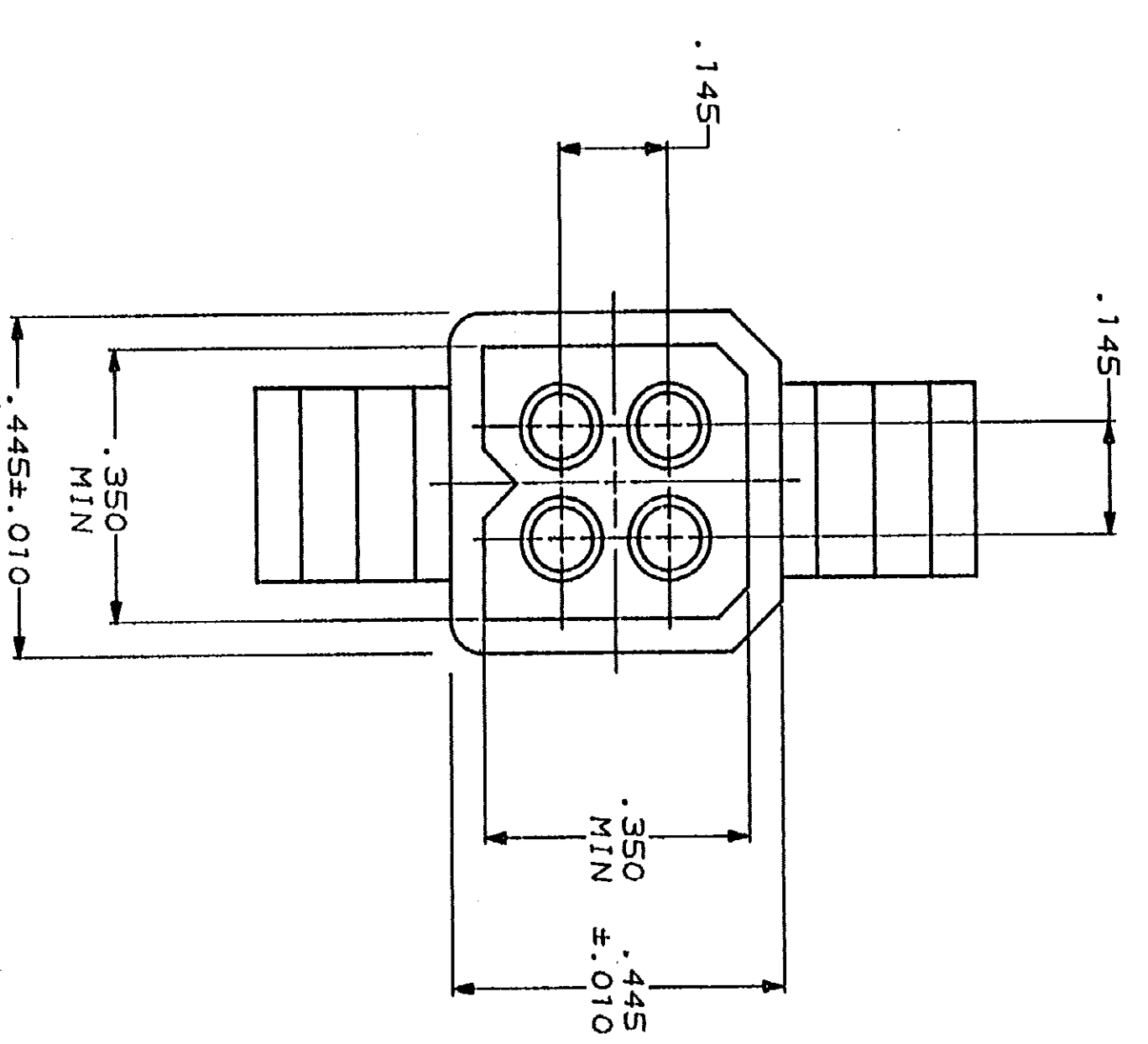
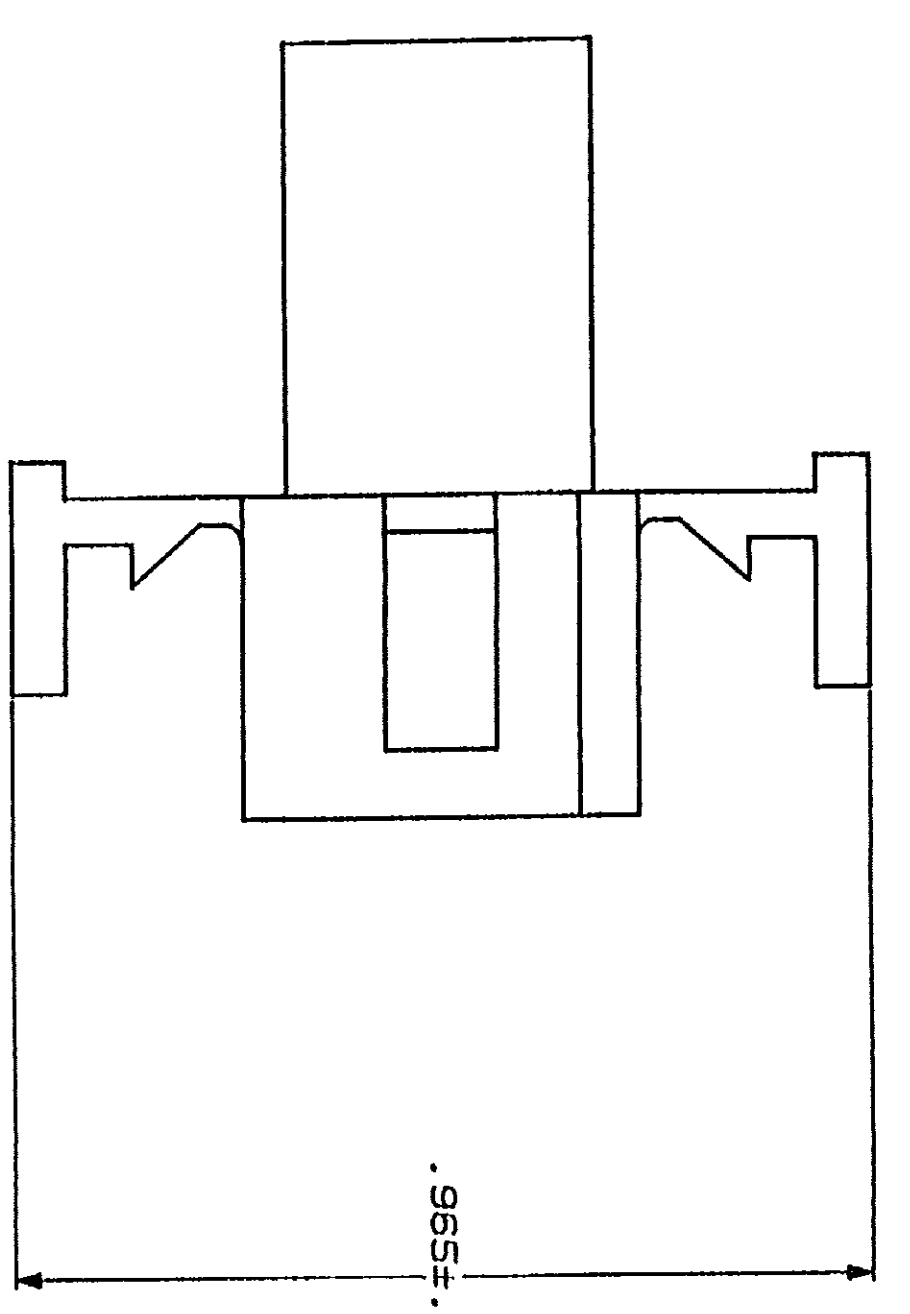


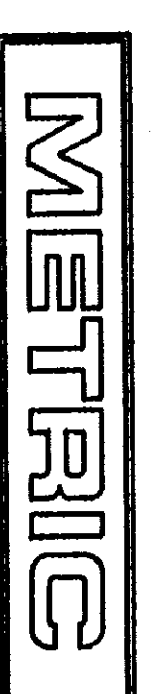
DRAWING MADE IN THIRD ANGLE PROJECTION
 THIS DRAWING IS UNPUBLISHED.
 © COPYRIGHT 1981 BY AMP INCORPORATED. ALL INTERNATIONAL RIGHTS RESERVED.

CM	53	1	1	1
CM	53	1	1	1
CM	53	1	1	1
CM	53	1	1	1
CM	53	1	1	1



3-DIMENSIONAL MODEL
 NTS

CONVERSION TABLE	
IN	MM
.345	8.76
.145	3.68
.062	1.57
.060	1.52
.020	0.51
.010	0.25
.005	0.13
IN	MM
.965	24.51
.843	21.41
.615	15.62
.465	11.81
.445	11.30
.350	8.89
IN	MM



DO NOT SCALE PRINT. UNLESS SPECIFIED DIMENSIONS IN INCHES TOLERANCES ON I S P/C DEC # .005 ANGLES # MATERIAL NYLON, UL94V-2, NATURAL		DR K. WHITAKER 11-2-80	CHK R. SALES 11-2-80	APPD R. CARSON 11-2-80	PRODUCT SPEC	FINISH	APPLICATION SPEC	SIZE D 00779	FSCH NO	DRAWING NO	770443
PANEL MOUNT, 4 CIRCUIT, .062 PIN AND SOCKET		AMP INCORPORATED MORTONVILLE, PA. 17135		PART NO 770443-1		SCALE 5:1		SHEET 1 OF 1		CUSTOMER DRAWING	

RECOMMENDED CUTOUT FOR
 .060 MAX THICK PANEL

AMP LOGO LOCATED ON THIS SURFACE.