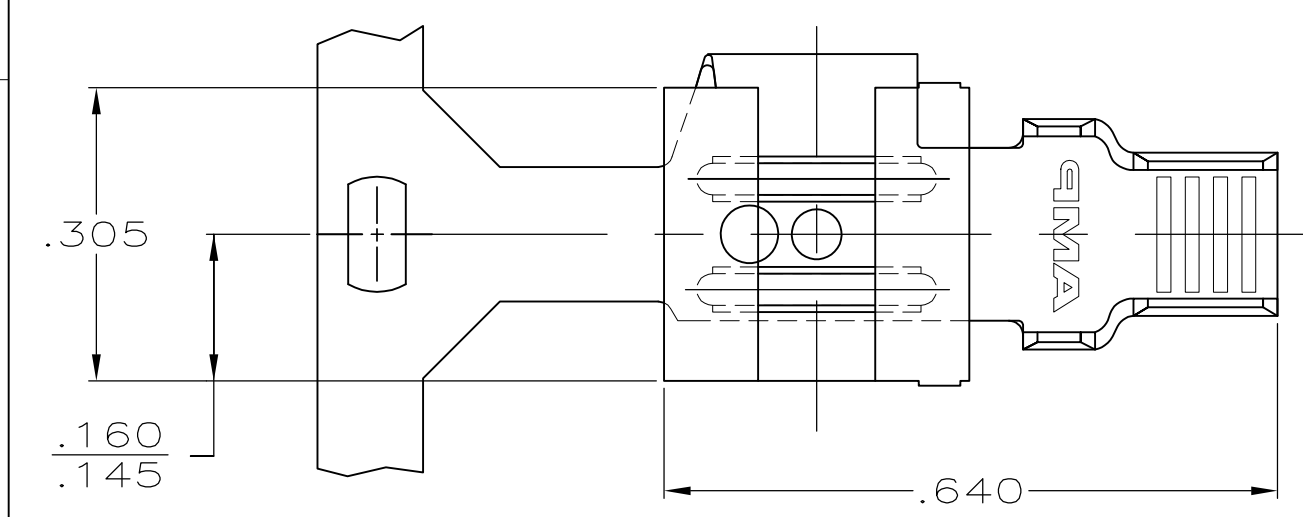
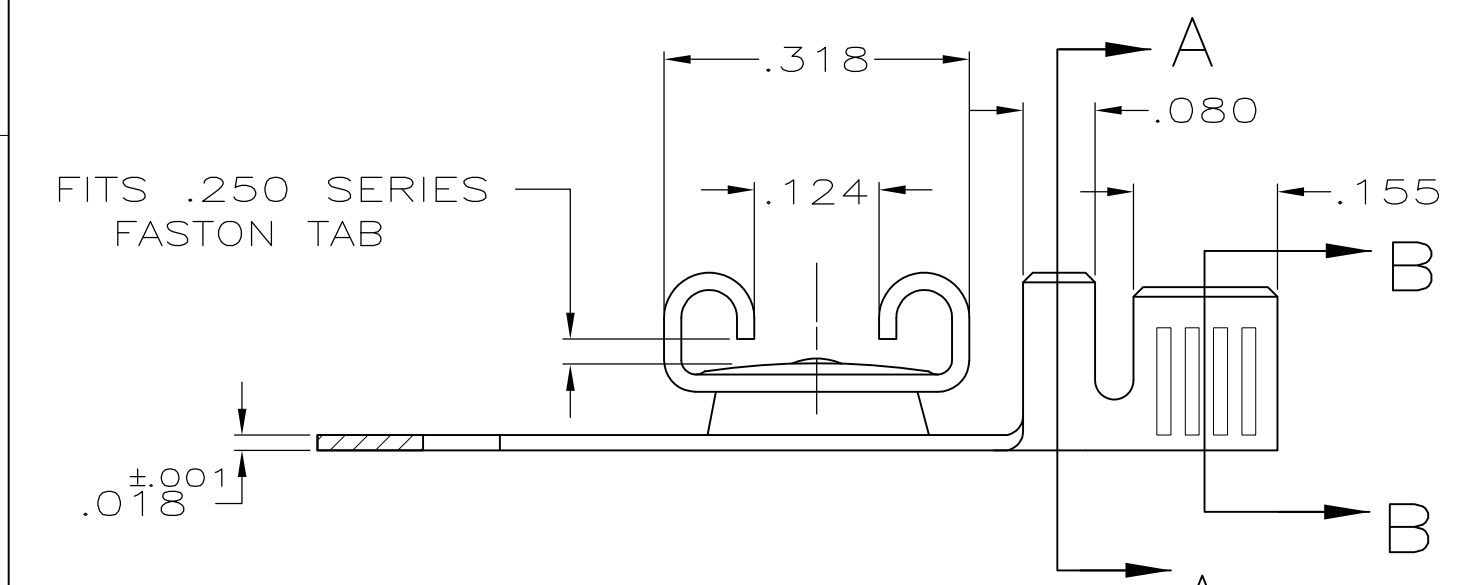


THIS DRAWING IS UNPUBLISHED. RELEASED FOR PUBLICATION
 © COPYRIGHT - By - ALL RIGHTS RESERVED.

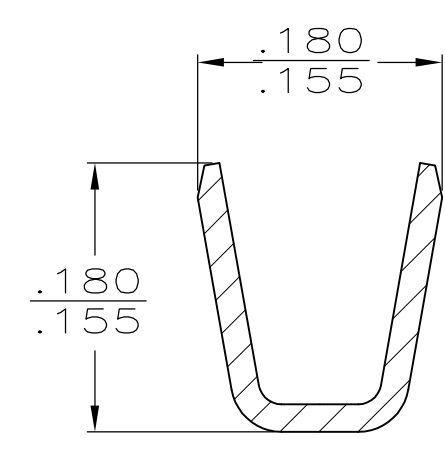
LOC	DIST	REVISIONS					
		P	LTR	DESCRIPTION	DATE	DWN	APVD
AF	50		P	REVISED PER ECR-11-018063	22DEC11	KH	PD



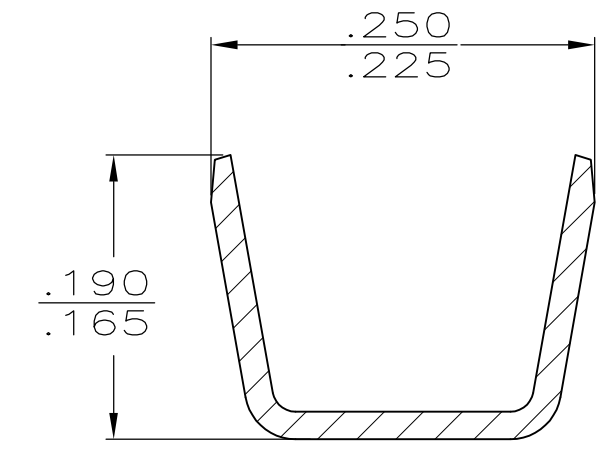
1 CONTINUOUS STRIP ON REELS.



FITS .250 SERIES FASTON TAB



SECTION B-B
SCALE 8:1



SECTION A-A
SCALE 8:1

OBSOLETE OBSOLETE	.130 TO .170	16-12	TIN .000080 MIN	T4 BRASS	.032	61188-3
			SILVER .000150 MIN	T3 PHOS BRZ		61188-2
			TIN	T3 PHOS BRZ		61188-1
	INSUL RANGE	WIRE SIZE	FINISH	MATERIAL	MATING TAB THK ±.001	PART NO

THIS DRAWING IS A CONTROLLED DOCUMENT.

DIMENSIONS: INCHES	TOLERANCES UNLESS OTHERWISE SPECIFIED:	DWN JR RUTH 3/22/90	TE Connectivity RECEPTACLE, FASTON™ FLAG, REVERSIBLE, .250 SERIES
	0 PLC ± -	CHK MS FEHER 3/22/90	
	1 PLC ± -	APVD C MEYERS 3/22/90	
	2 PLC ± -	PRODUCT SPEC	
	3 PLC ± .010	APPLICATION SPEC	NAME
	4 PLC ± -	114-2032	SIZE
	ANGLES ± -	WEIGHT -	CAGE CODE
MATERIAL SEE TABLE	FINISH SEE TABLE	CUSTOMER DRAWING	DRAWING NO
			RESTRICTED TO
			A3 00779 C-61188
			SCALE 5:1 SHEET 1 OF 1 REV P