

4

3

2

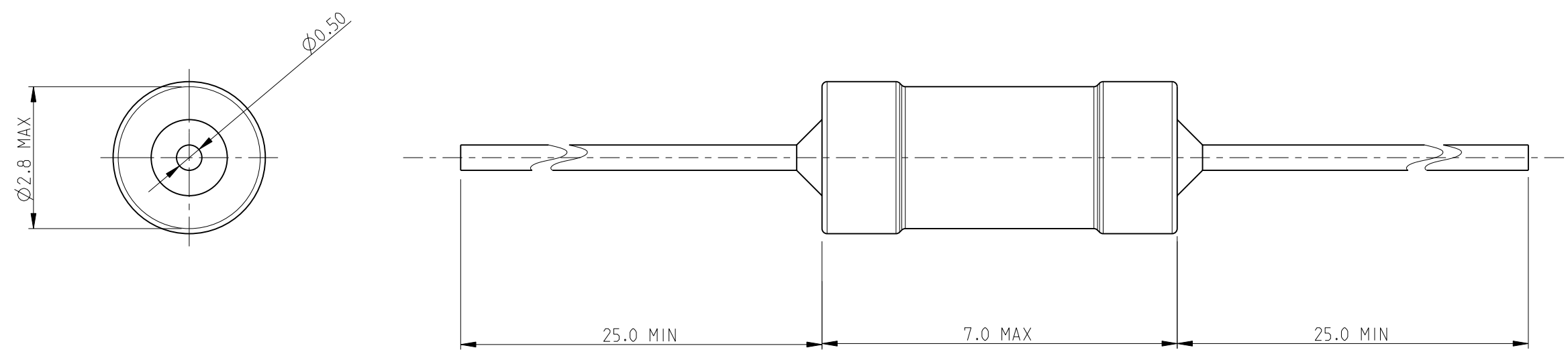
1

THIS DRAWING IS UNPUBLISHED. RELEASED FOR PUBLICATION 2010

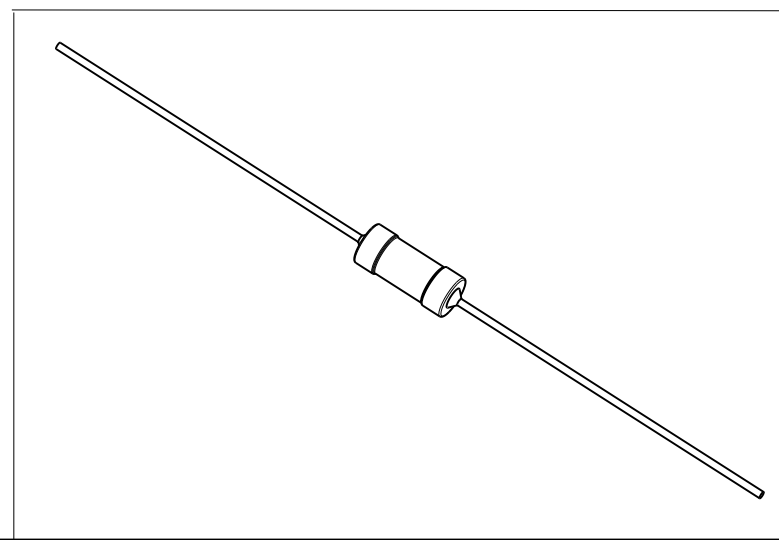
© COPYRIGHT 2010 BY TYCO ELECTRONICS CORPORATION. ALL RIGHTS RESERVED.

| LOC | DIST | REVISIONS   |             |           |         |
|-----|------|-------------|-------------|-----------|---------|
| P   | LTR  | DESCRIPTION | DATE        | DWN       | APVD    |
| E   | B    | BA          | NEW RELEASE | 05AUG2010 | PT St.P |

FOR FURTHER INFORMATION SEE DATA SHEET FOR SERIES SC - AXIAL LEADED POWER INDUCTORS



RoHS Compliant



|   |  |  |  |  |                 |
|---|--|--|--|--|-----------------|
| <small>THIS DRAWING IS A CONTROLLED DOCUMENT FOR TYCO ELECTRONICS CORPORATION IT IS SUBJECT TO CHANGE AND THE CONTROLLING ENGINEERING ORGANIZATION SHOULD BE CONTACTED FOR THE LATEST REVISION.</small> |  | DWN 05AUG2010<br>PARUSURAM.T   |  | Tyco Electronics Corporation<br>Dorcan, Swindon, SN3 5HH |                 |
| DIMENSIONS:<br>mm   |  | TOLERANCES UNLESS OTHERWISE SPECIFIED:<br>0 PLC ±0.2<br>1 PLC ±0.1<br>2 PLC ±-<br>3 PLC ±-<br>4 PLC ±-<br>ANGLES ±5° |  | NAME<br>AXIAL LEADED POWER INDUCTORS<br>SERIES SC30      |                 |
| MATERIAL -  |  | FINISH -   |  | PRODUCT SPEC -<br>APPLICATION SPEC -<br>WEIGHT -         |                 |
| CUSTOMER DRAWING  |  |  |  | SIZE A3  | CAGE CODE 00779 |
| SCALE 10:1  |  |  |  | DRAWING NO C-1624028                                     | RESTRICTED TO - |
| SHEET 1 OF 1  |  |  |  | REV BA   |                 |