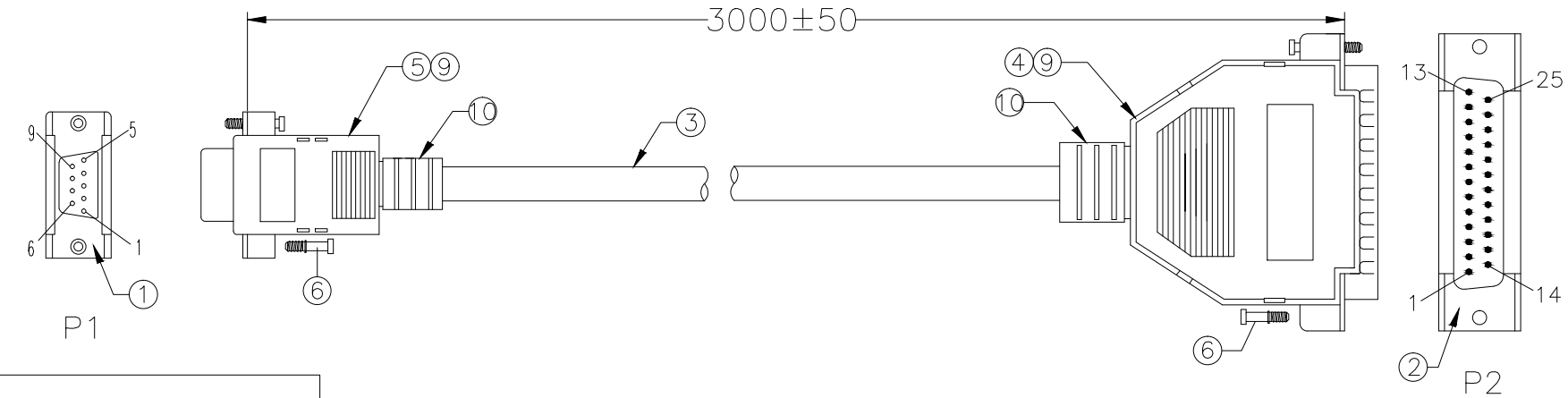


1 2 3 4 5 6 7

A

A



B

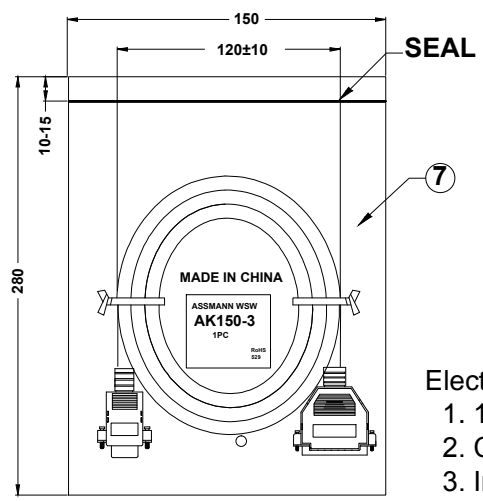
B

C

C

PIN ASSIGNMENT

P1		P2
1	black	4
2	brown	2
3	red	3
4	orange	6.5
5	yellow	7
6.8	green	20
7	blue	8
SHELL	drain	SHELL



- Electrical test:**
- 100% short ,open,miswire test
 - Conduct resistance: 2Ω max.
 - Insulation resistance:5MΩ min.
 - Hi-Pot: 300V DC

No.	NAME	QTY	DESCRIPTION
⑩	S/R	5.5g	BEIGE 45P PVC
⑨	TUBE	50mm	HEAT SHRINK TUBE BLACK OD 1.5MM
⑧	PE BAG	1/10	CLEAR SIZE: 360*380*0.05mm, PRINT BLACK"MADE IN CHINA"+"10PC"
⑦	PE BAG	1	CLEAR SIZE: 150*280*0.05mm, PRINT BLACK"MADE IN CHINA"+"1PC"
⑥	SCREW	4	SCREW:#4-40UNC L12.5mm,nickel plated
⑤	DKN	1	DB9P DKN W/O NUT BEIGE
④	DKN	1	DB25P DKN W/O NUT BEIGE
③	CABLE	1	NOUL 28AWG*7C+D.W+AL/MY,BEIGE,OD5.0mm
②	CONN	1	DB 25PIN MALE PIN G/F SHELL-NIKEL SOLDER TYPE INSULATION COLOR BLUE
①	CONN	1	DB 9PIN FEMALE PIN G/F SHELL-NIKEL SOLDER TYPE INSULATION COLOR BLUE

D

D

E

E

F

F

G

G

RoHS compliant
Unit: mm

Scale	FREE					Date	Name	Customer-No.
TOLERANCE						Drawn	17.11.2014	Joanna
						Approved	17.11.2014	Joanna
DIM	TOL							
		①	Drawn	17.11.2014	Joanna			
Angle	TOL	Id.	Modification	Date	Name			

Customer-No.	
ASSMANN WSW-No. AK150-3	
Drawing-No.	rev00
ASS 7238 CA	
Replace	Sheet

H

H

1 2 3 4 5 6 7