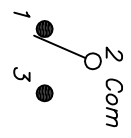


RECOMMENDED PCB LAYOUT

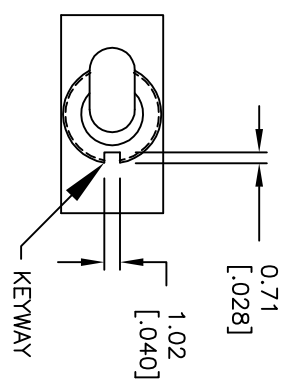


CIRCUIT: SPDT

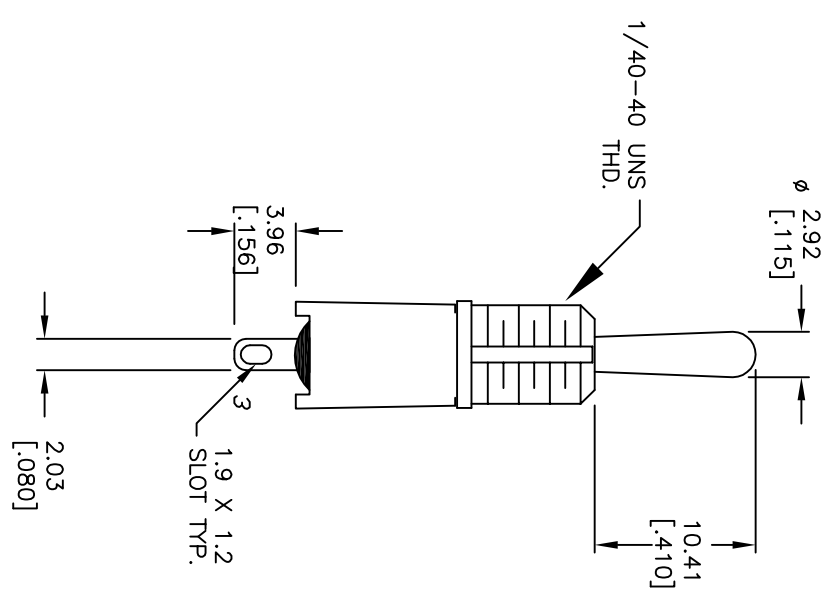
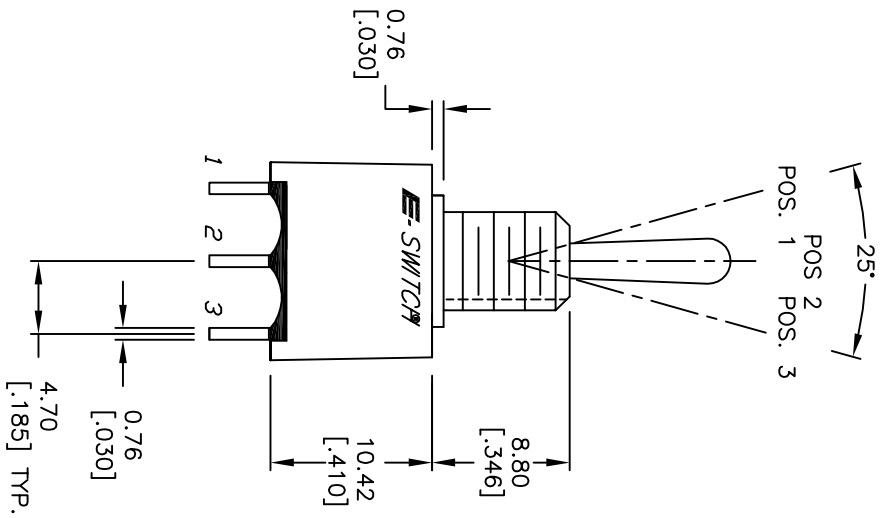
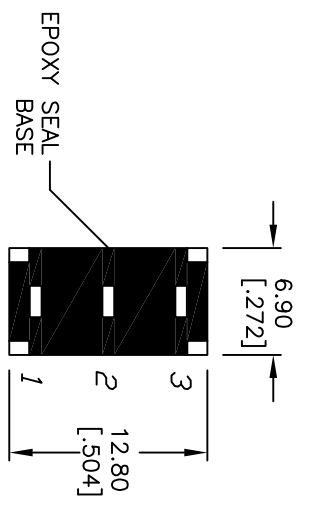
SWITCH FUNCTION		
POS. 1	POS. 2	POS. 3
DN	OFF	COND
2-3	OPEN	2-1

NOTES:  
 1. ALL DIMENSIONS IN MM [INCH]  
 2. GENERAL TOLERANCE: X.X=±0.4  
 X.XX=±0.25  
 ( )=Momentary

- TERMINAL NUMBERS FOR REF ONLY
- RATING: 5A @120VAC or 28VDC  
2A @250VAC (w/RESISTIVE LOAD)
- FIXED TERM. & MOVING CONTACT:  
Cu Alloy w/Silver plate
- ELECTRIC LIFE: 40,000 make-and-break cycles at full load.
- INSULATION RESISTANCE: 1,000 Mega-ohm min.
- DIELECTRIC STRENGTH: 1,000 V RMS @sea level.
- OPERATING TEMP.: -30°C to 85°C
- ▲ DENOTES CRITICAL PARAMETER
- 2002/95/EC (ROHS) COMPLIANT
- HARDWARE TO BE SUPPLIED IN BULK:  
 T100011-LOCK WASHER QTY-1  
 T100015-LOCK RING QTY-1  
 T100000-HEX NUT QTY-2



BOTTOM VIEW



REV.	ECN No.	DESCRIPTION	DATE	CHKD
B	17804	CHANGED BUSHING DIMENSIONS	10/25/07	BF
A	17701	RELEASED FOR PRODUCTION	9/20/07	BF

TITLE		SCALE	DATE	DR	DWG	REV
100AWSP5T1B1M1QE H		2:1	10/25/07	BF	ST105005	B



THE INFORMATION CONTAINED IN THIS DOCUMENT IS PROPRIETARY TO E-SWITCH AND IS NOT TO BE COPIED OR TRANSFERRED