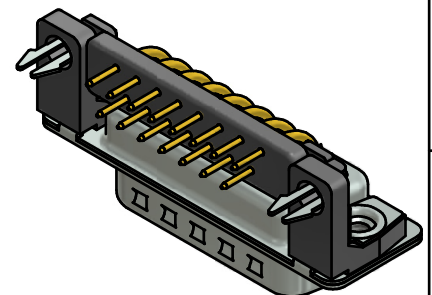
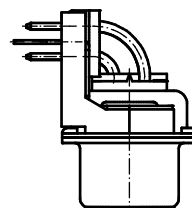
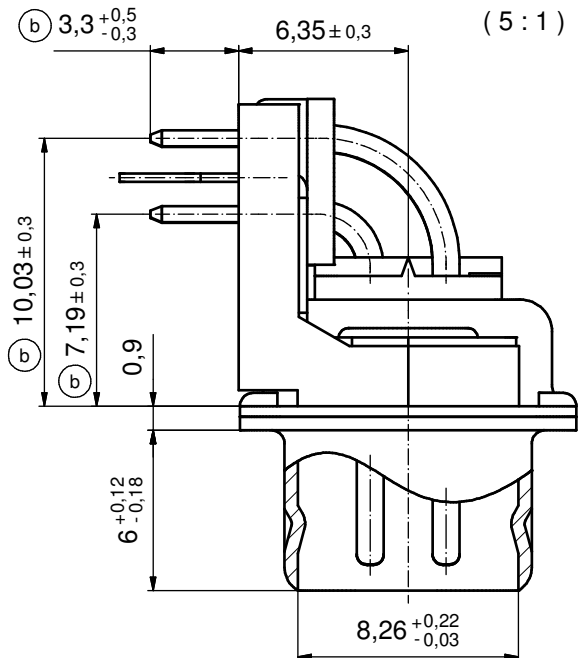
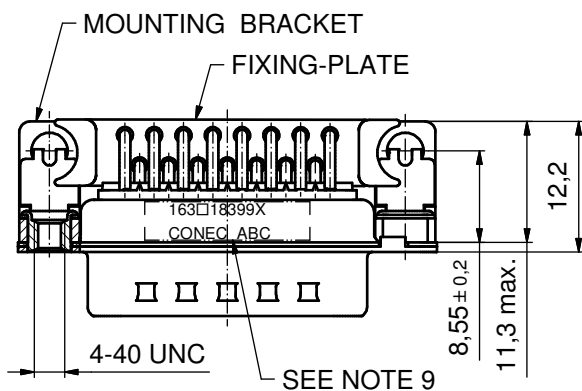
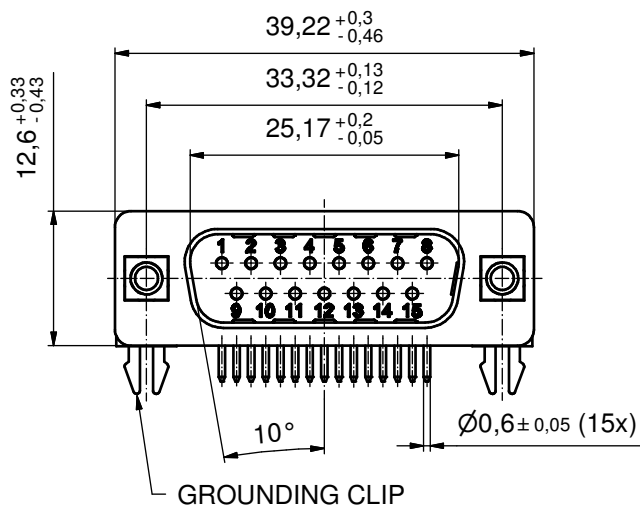
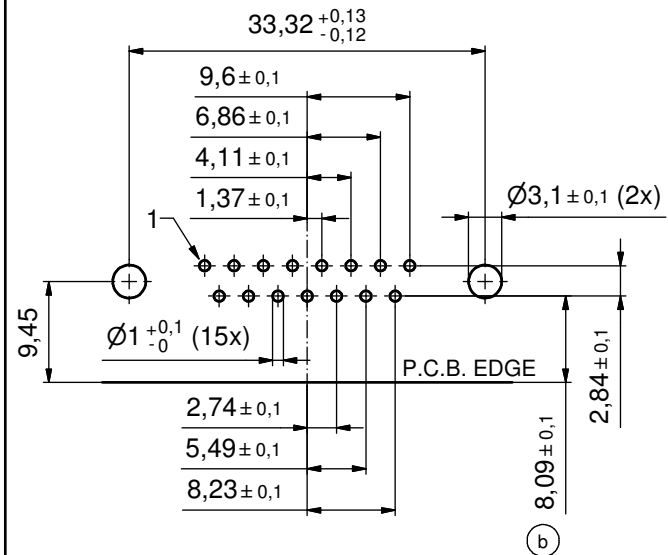


NOTES: (b)

1. METAL SHELLS: STEEL; min. 315µm TIN over 40-80µm NICKEL
2. INSULATORS: PBT GF UL 94 V-0, BLACK
3. CONTACTS: COPPER ALLOY
PLATING (SEE PART NO):
 - PLEASE ADD J for 50µm HARD GOLD over min. 50µm NICKEL
 - PLEASE ADD C for 30µm HARD GOLD over min. 50µm NICKEL
 - PLEASE ADD B for 20µm HARD GOLD over min. 50µm NICKEL
 - PLEASE ADD A for GOLD FLASH over NICKEL (PREFERRED TYPE)
4. MOUNTING BRACKET: PBT GF UL 94 V-0, BLACK
5. THREADED INSERTS: COPPER ALLOY; min. 200µm TIN over 80µm NICKEL
6. FIXING-PLATE: PBT GF UL 94 V-0, BLACK
7. GROUNDING-CLIPS: COPPER ALLOY;
PCB-HOLE: $\varnothing 3.1 \pm 0,1$; PCB THICKNESS 1,6mm
8. MAXIMUM TORQUE VALUE FOR THREAD: 6 in.lB
9. CONNECTOR IS PART MARKED: 163□18399X CONEC ABC (see note 3)



Directive 2002/95/EC RoHS compliant

THIS DRAWING MAY NOT BE COPIED OR REPRODUCED IN ANY WAY, AND MAY NOT BE PASSED ON TO A THIRD PARTY WITHOUT WRITTEN PERMISSION. OWNERSHIP AND COPYRIGHT OF CONEC GmbH DO NOT ALTER CAD DRAWING BY HAND				tolerance		dim. in mm	scale: 2:1 (5:1)		
				date			material: SEE NOTES		
				drawn	13.01.09	name		title: D-SUB MALE 90° 15pos. SOLDER PIN ANGLED threaded insert, mounting bracket, grounding clip	
				appd.	13.01.09	norm			
rev.	description	date	name	d-old	16K2A2445				
6 x b	Ä4331	13.06.2012	K.H.			dwg no: 16K1A2445		DIN-A3	
a	Original					part no: (b) 163□18399X (see note 3)		sh: 1	