

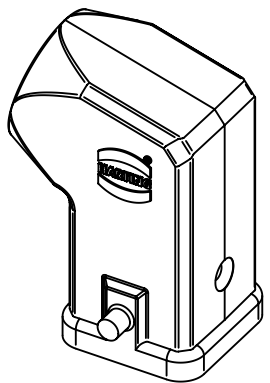
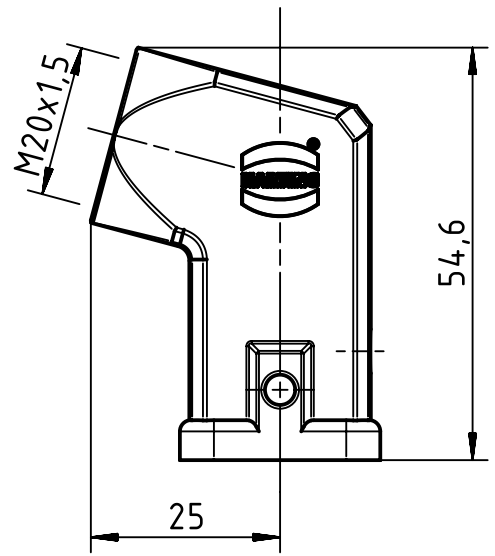
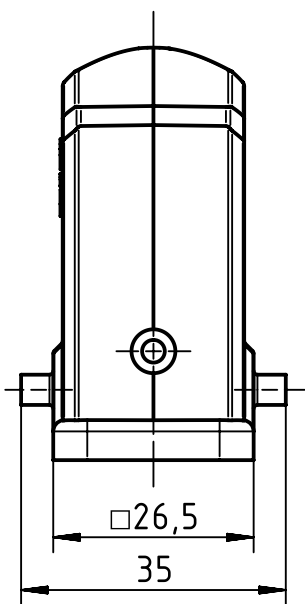
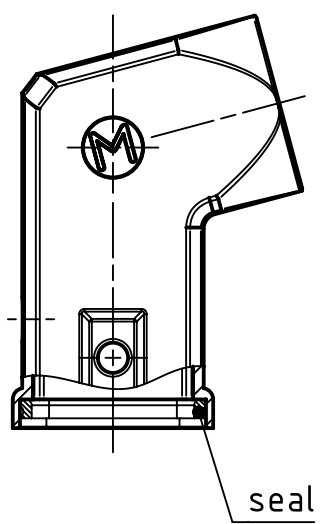
1 2 3 4 5 6

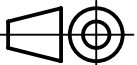

A

B

C

D



 All Dimensions in mm Original Size DIN A4	Scale 1:1		Free size tol.		Ref.	
					Sub.	
 All rights reserved Department EL PD - DE	Created by PRIESTER	Inspected by BERGHORN	Standardisation TIEMANNA	Date 2014-05-14	State Final Release	
	Title Han 3A-gw-M20+gekl.Dicht				Doc-Key / ECM-Nr. 100514465/UGD/002/A 500000074473	
HARTING Electric GmbH & Co. KG D-32339 Espelkamp		Type TB	Number 19 20 003 0623		Rev. A	Page 1/1