

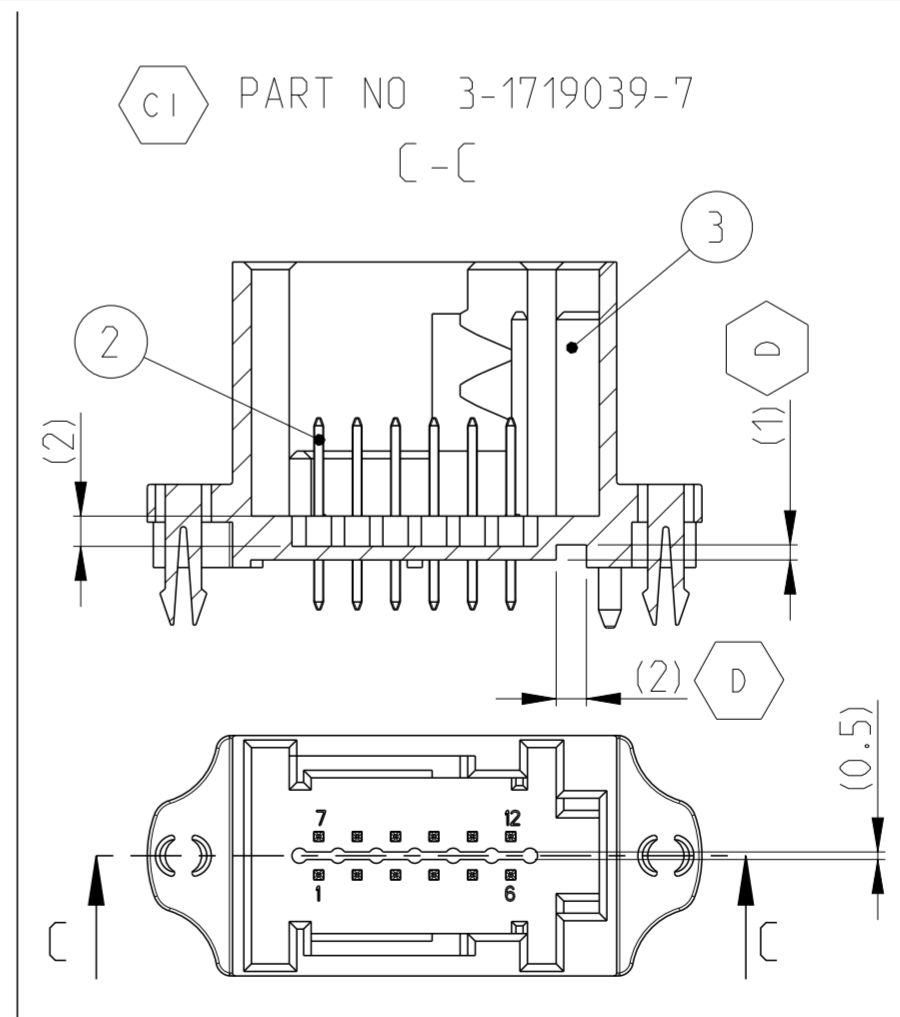
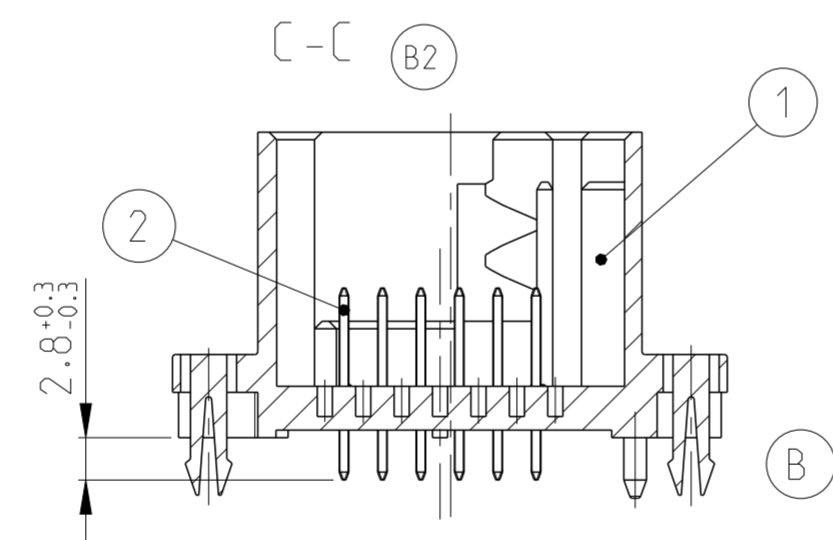
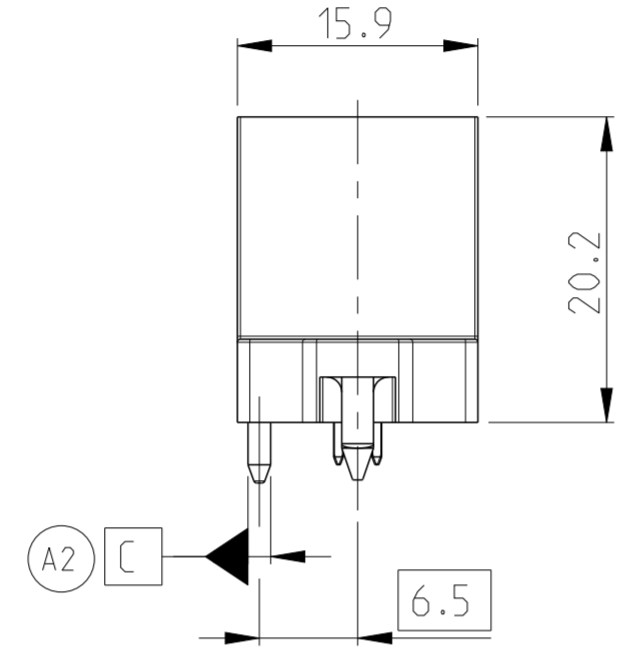
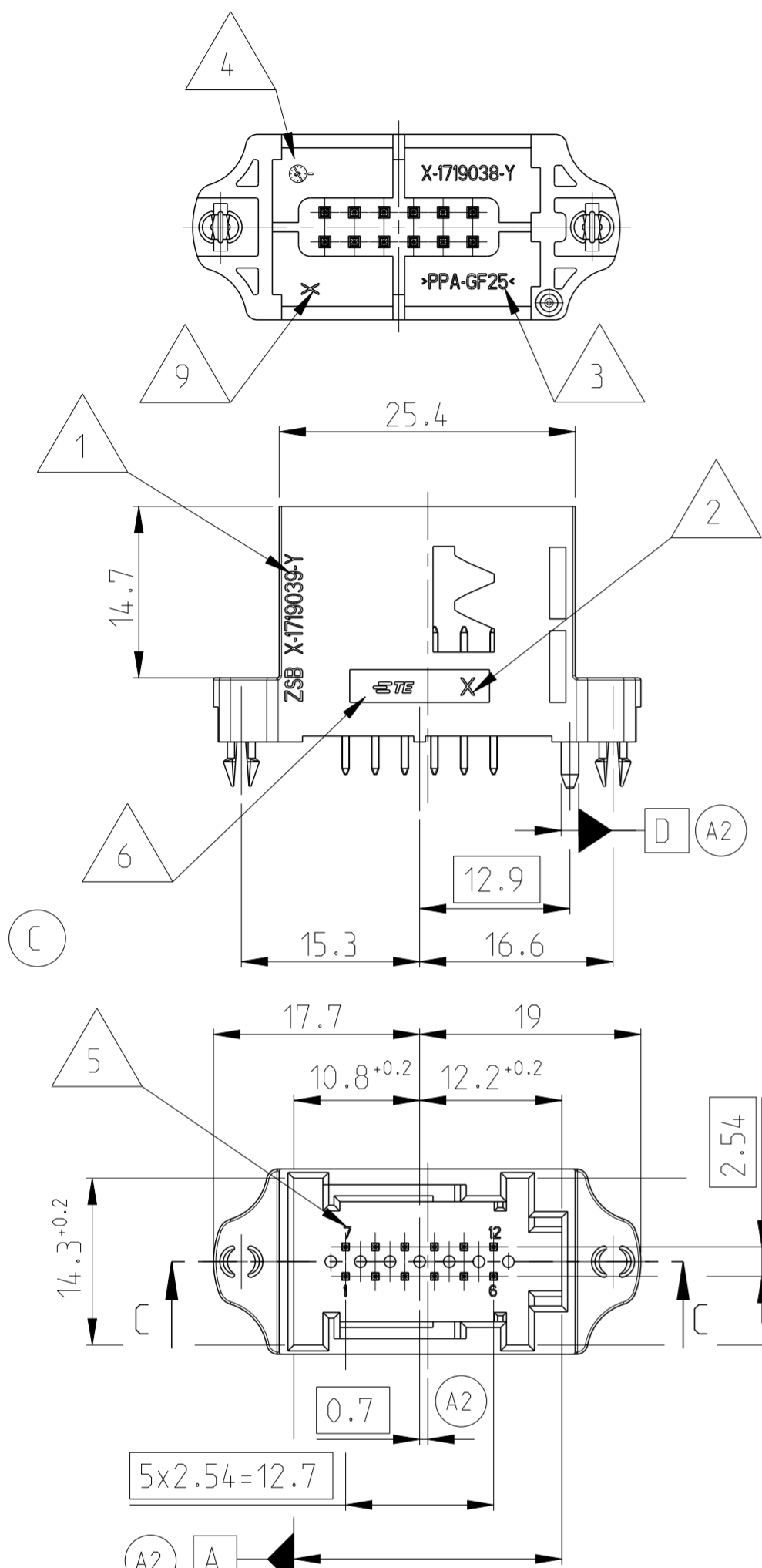
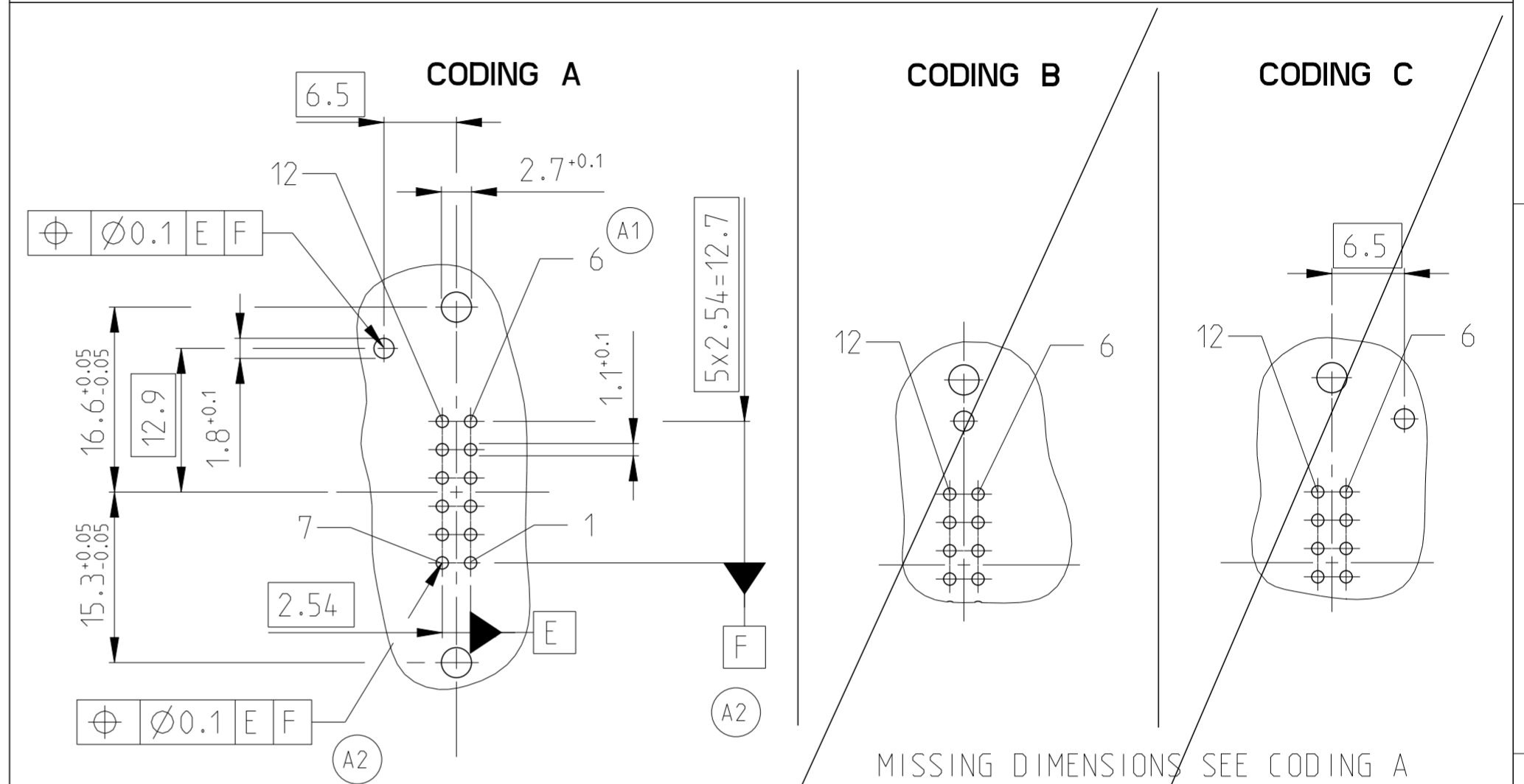
THIS DRAWING IS UNPUBLISHED. RELEASED FOR PUBLICATION 2012  
 © COPYRIGHT - BY - ALL RIGHTS RESERVED.

LOC		DIST		REVISIONS			
P	LTR	DESCRIPTION	DATE	DWN	APVD		
A1	-	C2	SEE PCN E-15-004250	17MAR2015	HS	RH	
		D	SEE PCN E-15-008004	27MAY2015	HS	RH	
		-	-	-	-	-	
		-	-	-	-	-	

INTERFACE DRAWING  
114-18063-091

(A2)

PCB LAYOUT



NOTES  
BEMERKUNGEN

NV NOTE NOT VALID  
Bemerkung nicht verwendet

1 ORDER NUMBER  
BESTELL-NUMMER

2 REVISION NUMBER SINGLE PART  
WERKZEUGÄNDERUNGSINDEX EINZELTEIL

3 MATERIAL MARKING  
WERKSTOFFKENNZEICHNUNG

4 PRODUCTION DATE  
PRODUKTIONSdatum

5 CONTACT CAVITY NUMBER  
KONTAKTKAMMERNUMMER

6 TE LOGO

NV PACKAGING: BULK MATERIAL IN CARDBOARD BOX  
VERPACKUNG: SCHÜTTGUT IN KARTON

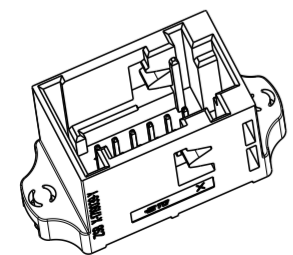
8 PACKAGING: TRAYS IN CARDBOARD BOX  
VERPACKUNG: PRODUKTTRAEGER IM KARTON

9 TOOL CAVITY MARKING  
NESTMARKIERUNG

10 ATTENTION: PRE SERIES PARTS  
ARE MARKED WITH A PINK DOT!  
PACKAGING DEPENDS ON ORDER  
ACHTUNG: VORSERIENTEILE SIND MIT EINEM ROSA PUNKT MARKIERT!  
VERPACKUNGSEINHEIT RICHTET SICH NACH AUFTRAGSMENGE

C2 11 PACKAGING: TRAYS IN CARDBOARD BOX, DRY PACK  
VERPACKUNG: PRODUKTTRAEGER IM KARTON, TROCKENVERPACKUNG

PART NO	REV	MECH. CODE	PCB CODE	WEIGHT	PCS	MATERIAL	SURFACE COLOR	DESCRIPTION	ITEM
8-1719039-7	C	B	A	5.34	12	CuSn6	TINNED	AMPMODU II PIN	2
					1	PPA-GF25	BLACK	PIN HEADER, 12POS.	1
3-1719039-7	B	B	A	5.11	12	CuSn6	TINNED	AMPMODU II PIN	2
					1	PPA-GF25	BLACK	PIN HEADER, 12POS.	3
1-1719039-9	C	B	C	5.34	12	CuSn6	TINNED	AMPMODU II PIN	2
					1	PPA-GF25	BLACK	PIN HEADER, 12POS.	1
1-1719039-8	C	B	B	5.34	12	CuSn6	TINNED	AMPMODU II PIN	2
					1	PPA-GF25	BLACK	PIN HEADER, 12POS.	1
1-1719039-7	C	B	A	5.34	12	CuSn6	TINNED	AMPMODU II PIN	2
					1	PPA-GF25	BLACK	PIN HEADER, 12POS.	1



THIS DRAWING IS A CONTROLLED DOCUMENT.

DWN M.Reinhardt 06APR2005  
 CHK V.Bergmann 14APR2005  
 APVD -

DIMENSIONS: mm	TOLERANCES UNLESS OTHERWISE SPECIFIED:
	0 PLC ±0.5
	1 PLC ±0.5
	2 PLC ±0.5
	3 PLC ±
	4 PLC ±
	ANGLES ±°
MATERIAL	FINISH
SEE TABLE	

PRODUCT SPEC	108-18983 (A2)
APPLICATION SPEC	
WEIGHT	
CUSTOMER DRAWING	



NAME		MODU II PIN HEADER, 12POS. MODU II Stiftleiste, 12pol.	
SIZE	CAGE CODE	DRAWING NO	RESTRICTED TO
A2	00779	C-1719039	-
SCALE 2:1		SHEET 1 of 1	REV D