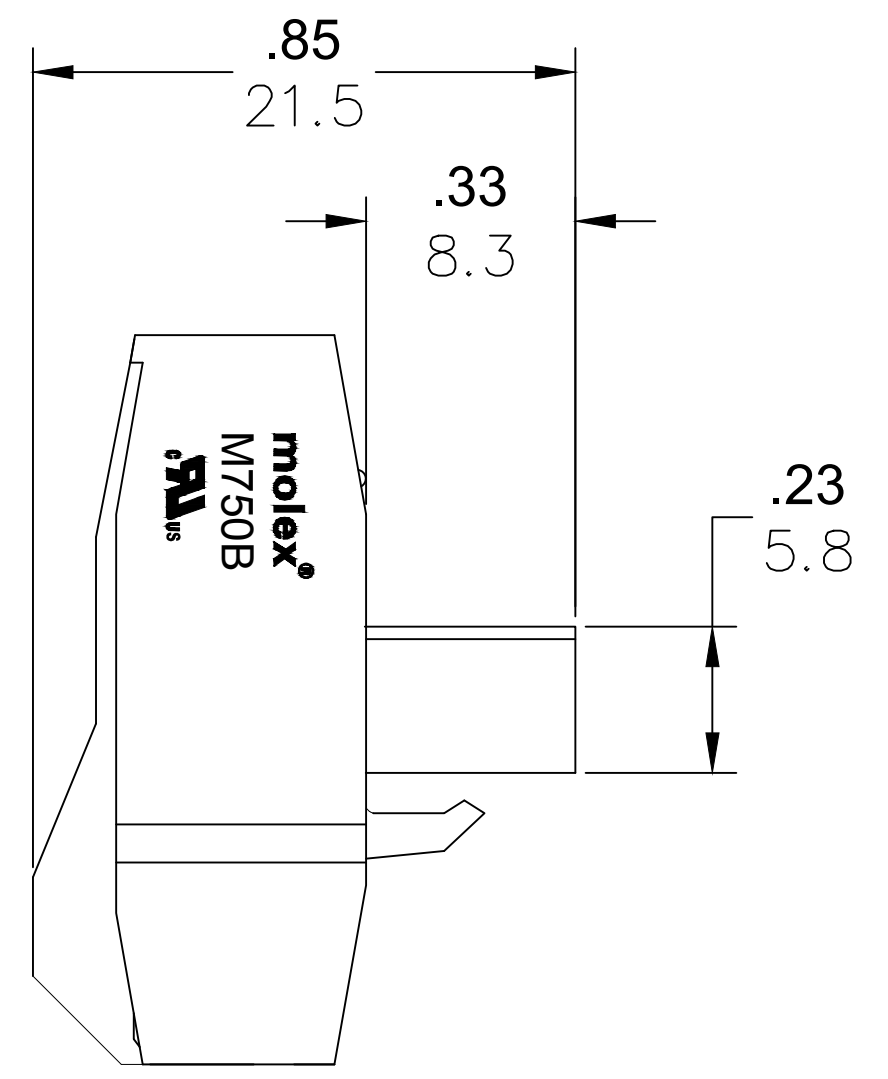
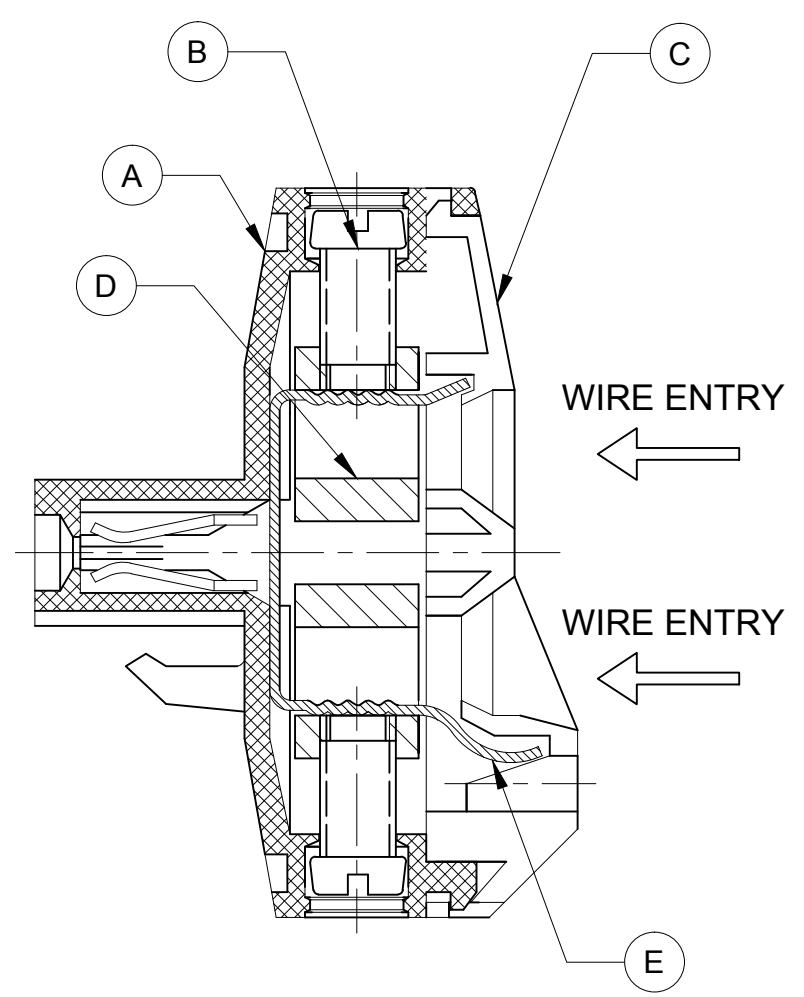


PART NUMBER DATA							
CIRCUITS	PART NUMBER	ENGINEERING NUMBER	COLOR	A IN mm		B IN mm	
2	397170002	M750B-21-2-02-3	GREEN	.43	10.9	.200	5.08
3	397170003	M750B-21-2-03-3	GREEN	.63	16.0	.400	10.16
4	397170004	M750B-21-2-04-3	GREEN	.83	21.1	.600	15.24
5	397170005	M750B-21-2-05-3	GREEN	1.03	26.2	.800	20.32
6	397170006	M750B-21-2-06-3	GREEN	1.23	31.2	1.000	25.40
7	397170007	M750B-21-2-07-3	GREEN	1.43	36.3	1.200	30.48
8	397170008	M750B-21-2-08-3	GREEN	1.63	41.4	1.400	35.56
9	397170009	M750B-21-2-09-3	GREEN	1.83	46.5	1.600	40.64
10	397170010	M750B-21-2-10-3	GREEN	2.03	51.6	1.800	45.72
11	397170011	M750B-21-2-11-3	GREEN	2.23	56.6	2.000	50.80
12	397170012	M750B-21-2-12-3	GREEN	2.43	61.7	2.200	55.88

REF. LAST 2 DIGITS OF PART NUMBER EQUALS CIRCUIT COUNT

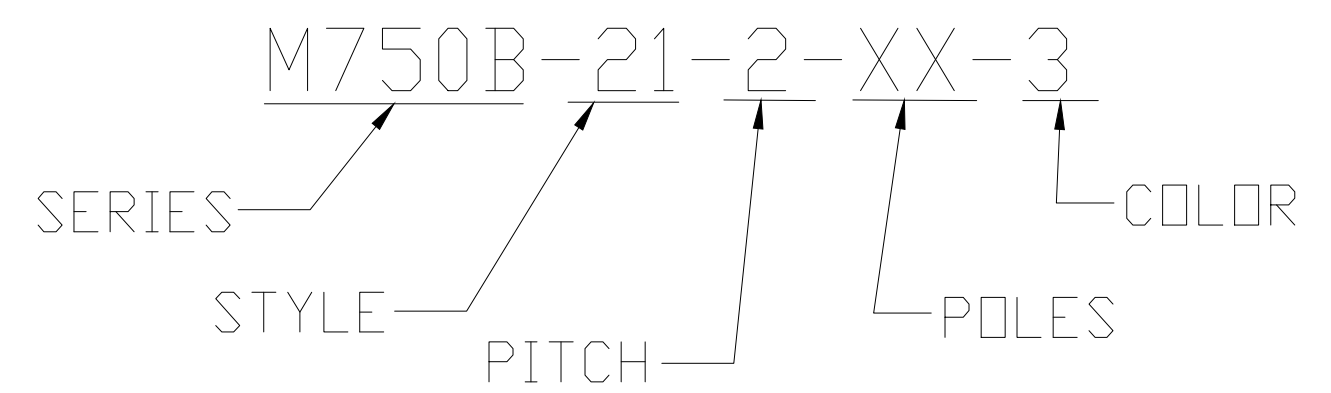


SPECIFICATIONS

- MATERIAL:**
 - A. BODY : PA66, UL94 V-0
 - B. SCREW: M3 STEEL, ZINC PLATED
 - C. COVER: PA66, UL94 V-0
 - D. CAGE: BRASS, NI PLATED
 - E. CONTACT: Cu ALLOY, TIN PLATED
- WIRE SIZE: 24~12AWG
- RATING: 250V, 12A
- MAX TORQUE: 4.9 IN LBS.
- WIRE STRIP LENGTH: .39in. (10.0mm)
- OPERATING TEMPERATURE: -40°C TO +105°C
- DIMS SHOWN ARE FOR REFERENCE ONLY

TOLERANCES			
MM	TOL	INCH	TOL
0-6	±0.25	0-.24	±.010
>6-30	±0.40	.24-1.18	±.016
>30-120	±0.50	1.18-4.76	±.020
>120	±0.80	>4.76	±.031

ENGINEERING NUMBER LEGEND



CONTACT FACTORY FOR OPTIONAL COLORS

REVISED DOC TOL EC NO.: ICG2017-0881 DRWN: ABENJAMI CHKD: --- APPR: BRUPERT 2014/10/16 A1	QUALITY SYMBOL ▽=0 ▽C=0	GENERAL TOLERANCES (UNLESS SPECIFIED) mm INCH 4 PLACES ±--- ±--- 3 PLACES ±--- ±--- 2 PLACES ±--- ±--- 1 PLACE ±--- ±--- ANGULAR ±---° DRAFT WHERE APPLICABLE MUST REMAIN WITHIN DIMENSIONS	DIMENSION STYLE IN/MM DRAWN BY DATE RSTONE 2014/04/24 CHECKED BY DATE G FARNSW APPROVED BY DATE JFMURPHY 2014/10/16 MATERIAL NO. SEE CHART SIZE C	SCALE --- DESIGN UNITS METRIC THIRD ANGLE PROJECTION TITLE TERMINAL PLUG-HORIZ. 5.08MM, DBL WIRE ENTRY MOLEX INCORPORATED DOCUMENT NO. SD-39717-001 SHEET NO. 1 OF 1
	THIS DRAWING CONTAINS INFORMATION THAT IS PROPRIETARY TO MOLEX INCORPORATED AND SHOULD NOT BE USED WITHOUT WRITTEN PERMISSION			
	MOLEX INCORPORATED			
	SD-39717-001			