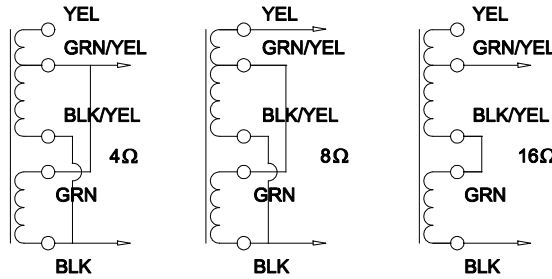


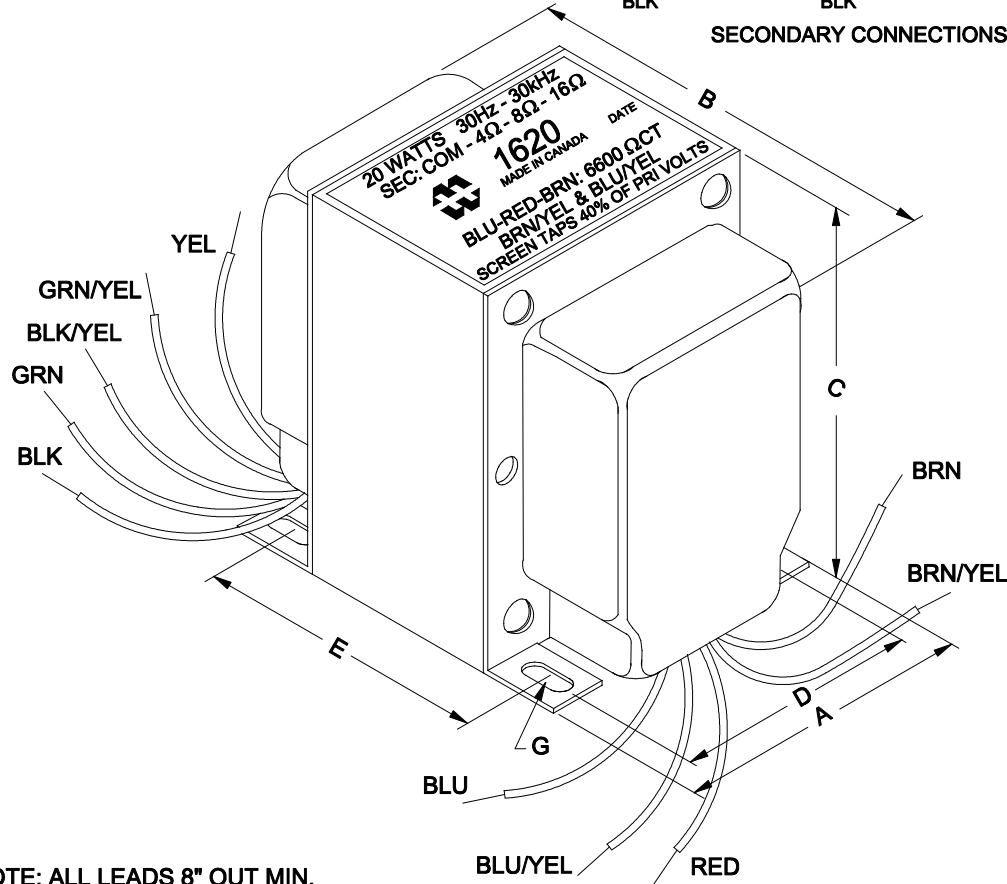
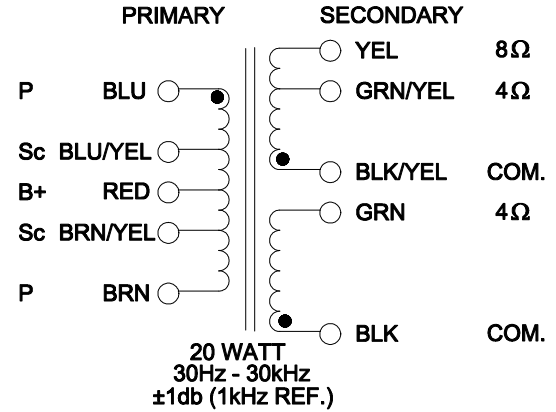
DIMENSIONS:	
A	2.500" ±0.063
B	3.435" ±0.125
C	3.060" ±0.063
D	2.000" ±0.063
E	2.438" ±0.063
G	0.203" x 0.375" ±0.015



SECONDARY CONNECTIONS

6600 ΩCT

AUDIO TRANSFORMER



NOTE: ALL LEADS 8" OUT MIN.

ELECTRICAL DATA:

TESTS	CONDITIONS	ACCEPTANCE CRITERIA	
lex	@ 240V, 60Hz, BLU - BRN	6mA	Max.
Sec. N.L.V	@ 240V, 60Hz, BLU - BRN		
	BLU - BLU/YEL =	71.62V	±2%
	BLU - RED = RED - BRN =	120.0V	±2%
	BLU - BRN/YEL =	168.4V	±2%
	BLK - GRN =	5.913V	±2%
	BLK/YEL - GRN/YEL =	5.913V	±2%
	BLK/YEL - YEL =	8.466V	±2%
DCR	@ 20°C, BLU - RED =	74.60 Ω	±20%
	@ 20°C, RED - BRN =	65.40 Ω	±20%
	@ 20°C, BLK - GRN =	0.310 Ω	±20%
	@ 20°C, BLK/YEL - YEL =	0.500 Ω	±20%
HIPOT	PRIMARY - SECONDARY	2000V, 60Hz, 1 SEC	

REV.#	REVISION	DATE	HAMMOND MANUFACTURING™		ELECTRONIC DIVISION	
0	RELEASED.	10/13/15	52 RANKIN PLACE, WATERLOO, ONTARIO, N2J 3Z5		PH # (519) 886-6181 FAX # (519) 886-9540	
			DWG. BY: C. ILIE	CHK'D BY:	TITLE: PUSH - PULL "CLASSIC" TUBE ULTRA-LINEAR OUTPUT TRANSFORMER	DWG. NO. 1620
			DATE: 10/13/15	APP'D. BY:		
				DIMENSIONS: IN(X) MM()		