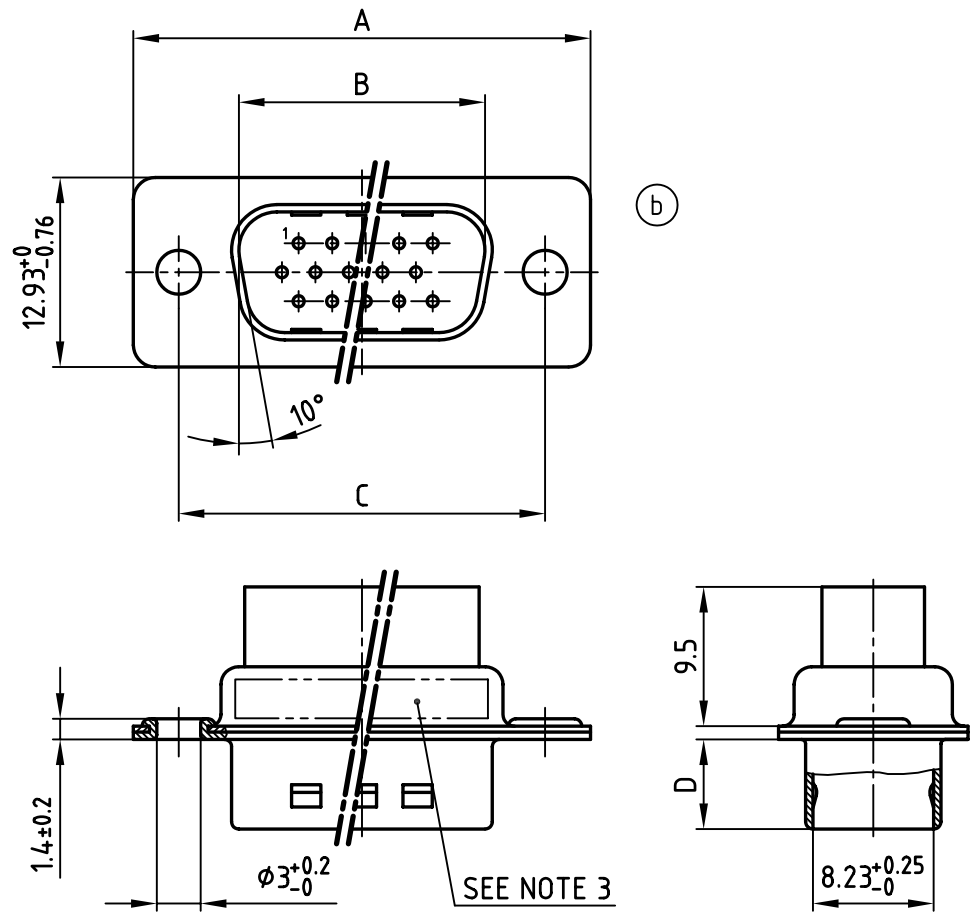


used for: D-SUB HD



POS.	A ^{-0.76}	B ^{+0.25}	C	D ^{-0.3}	Part-NO.
15	31.19	16.79	25.00 ^{+0.12} / _{-0.13}	6.12	163X10169X (303A505000X)
26	39.52	25.12	33.30 ^{+0.15} / _{-0.1}	6.12	163X10179X
44	53.42	38.84	47.04 ±0.13	5.99	163X10189X
62	69.70	55.30	63.50 ±0.13	5.99	163X10199X

- (b) NOTES:
- METALSHELLS: STEEL; min. 315µm TIN over 40-80µm Nickel
 - INSULATORS: PA 6.6 UL 94 V-0, BLACK
 - CONNECTOR IS PART MARKED: PART-NO. CONEC ABC

Directive 2002/95/EC
„RoHS“
Compliant

THIS DRAWING MAY NOT BE COPIED OR REPRODUCED IN ANY WAY, AND MAY NOT BE PASSED ON TO A THIRD PARTY WITHOUT WRITTEN PERMISSION.
OWNERSHIP AND COPYRIGHT OF CONEC GmbH
DO NOT ALTER CAD DRAWING BY HAND

tolerance			
2001	date	name	
drawn	12.03.	Parei	
appd.	12.03.	E. Mickenbecker	
norm			
d-old			
2 x b	Ä 2574	14.09.06	HS
rev.	description	date	name



scale:	2:1	
material:	SEE NOTES	
title:	D-SUB HD MALE CRIMP-VERSION 15-62pos.	
dwg no:	AutoCAD 2000	DIN-A
	16K1A154A	4
part no:	SEE TABLE	
		sh: 1/1