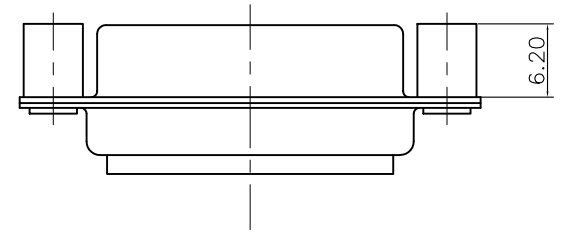
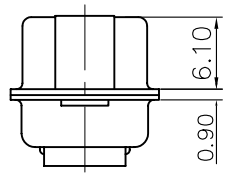
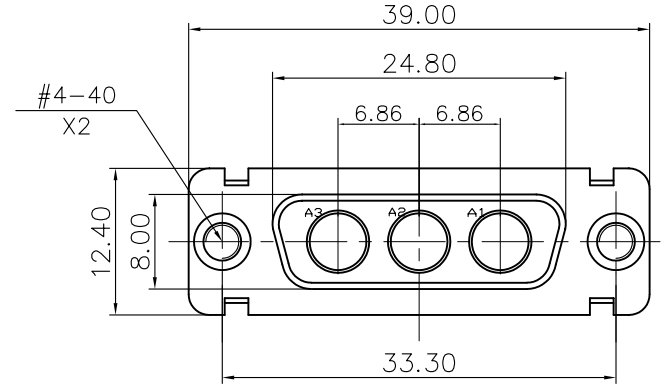


This document is the property of Amphenol Corporation and is delivered on the express condition that it is not to be disclosed, reproduced or used, in whole or in part, for manufacture or sale by anyone other than Amphenol Corporation without its prior consent, & that no right is granted to disclose or to use any information in this document.

REVISIONS				
SYM	ECN	DESCRIPTION	DATE	APPROVED
A	HK4743	Release new drawing	10/22/07	IP

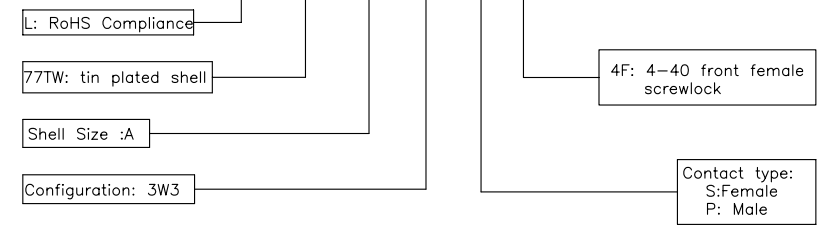
**D-SUB TECHNICAL DATA**

SHELL : Steel 2.5um(100u") min tin over 1.25um(50u") min nickel  
 BODY : Glass filled thermoplastic.  
 Flame retarding to UL94 V-0 Color Black  
 FRONT SCREWLOCK : Brass, 100u" sn min over 50u" min nickel  
 ELECTRICAL : Voltage rating 300 V RMS at 50 Hz  
 Withstanding Voltage >1000 V RMS at 50 Hz for one minute  
 Insulation resistance >5000 M Ohms  
 CLIMATIC : Temperature range -55 °C up to 155°C  
 Damp heat 56 days(40 °C-95% HR)  
 MARKING : Amphenol-...(Series No.)  
 Commercial reference  
 Manufacturing date



**PRODUCT CODE**

**L 77TW A 3W3 S 4F**



UNLESS OTHERWISE SPECIFIED TOLERANCES		APPROVAL		DATE	Amphenol	
	U.S.	METRIC	DRAWN	Lisa.peng		09/17/07
.X	+/-	0.50	CHECKED	lik.wang		09/17/07
.XX	+/-	0.30	CHECKED			
.XXX	+/-	0.20				
FRACTIONS	+/-					
ANGLES	+/-	5°				
FOR MATERIALS AND FINISHES SEE NOTES		DRAWING FILE :		drawing/Desub/CL77TWA3W3S4F		
REMOVE SHARP EDGES		ANGLE OF PROJECTION		TITLE		
DIMENSIONS		U.S. INCHES		Hybrid connector, TW series		
U.S. INCHES		METRIC MM		SIZE	DRAWING NO.	
				A4	C L77TWA3W3S4F	
				SCALE	NONE	
				SHEET 1 OF 1		
				REV.	A	