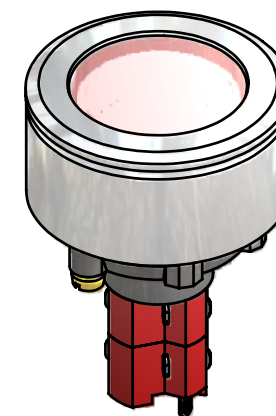
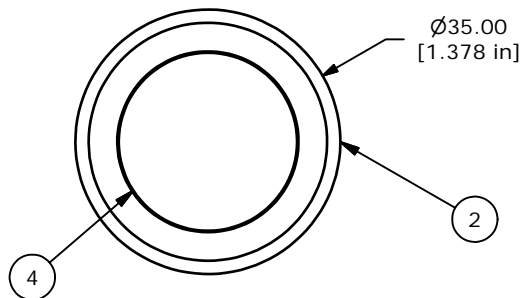
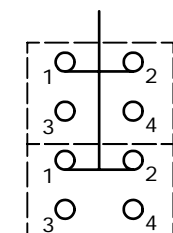
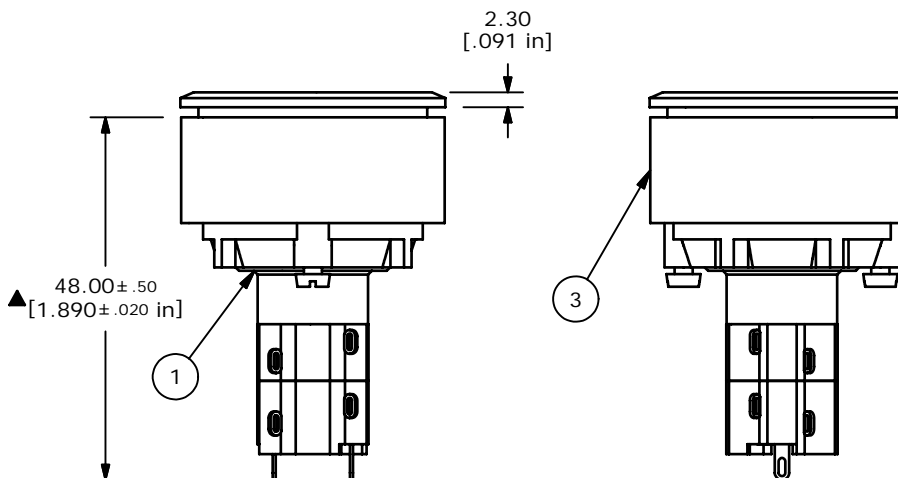


▲ Parts List				
ITEM	QTY	PART NUMBER	DESCRIPTION	
1	1	F060620	LAKEEU110 BODY	
2	1	F051706	35MM FLUSH MOUNT BEZEL	
3	1	F051707	35MM FLUSH MOUNT RETAINER	
4	1	F060214	29MM RED LENS	
5	1	F050423	LED 24VDC RED	



ISOMETRIC

- NOTES:
1. ALL DIMENSIONS IN MM [INCH].
 2. GENERAL TOLERANCE: 0.0=± 0.4
0.00=± 0.25
 3. TERM. NOS. FOR REF. ONLY.
 4. RATING: 5A @250VAC
8A @125VAC
.2A @250VDC
6A @24VDC
 5. INSULATION: 1,000 MΩ MIN.
 6. DIELECTRIC STRENGTH: 2000V FOR 1 MIN.
 7. SEALED TO IP65.
 8. TRAVEL: 3.0MM FULL TRAVEL, 2.0MM LATCH
 9. ELECTRICAL LIFE: >50,000 CYCLES
 10. OPERATING TEMP: -25C TO +55C
 11. PANEL THICKNESS: 0.5MM TO 3.0MM
 12. LAMP VOLTAGE: LED, 24VDC RED
 13. ▲ DENOTES CRITICAL PARAMETER.
 14. 2002/95/EC (ROHS) COMPLIANT



▲ CONTACT CONFIGURATION



A	17402	RELEASED FOR PRODUCTION	6/26/07	TN
REV	PCR NO	DESCRIPTION	DATE	BY

TITLE LASEEU32KREDRED				
SCALE	DATE	DR	DWG	REV
1	6/26/2007	TN	XF0724P	A

THE INFORMATION CONTAINED IN THIS DOCUMENT IS PROPRIETARY TO E-SWITCH AND IS NOT TO BE COPIED OR TRANSFERRED