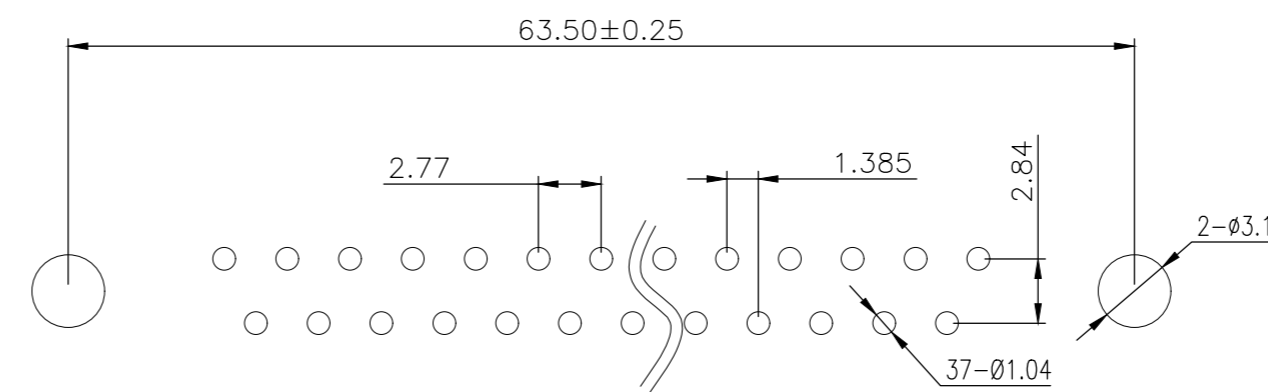
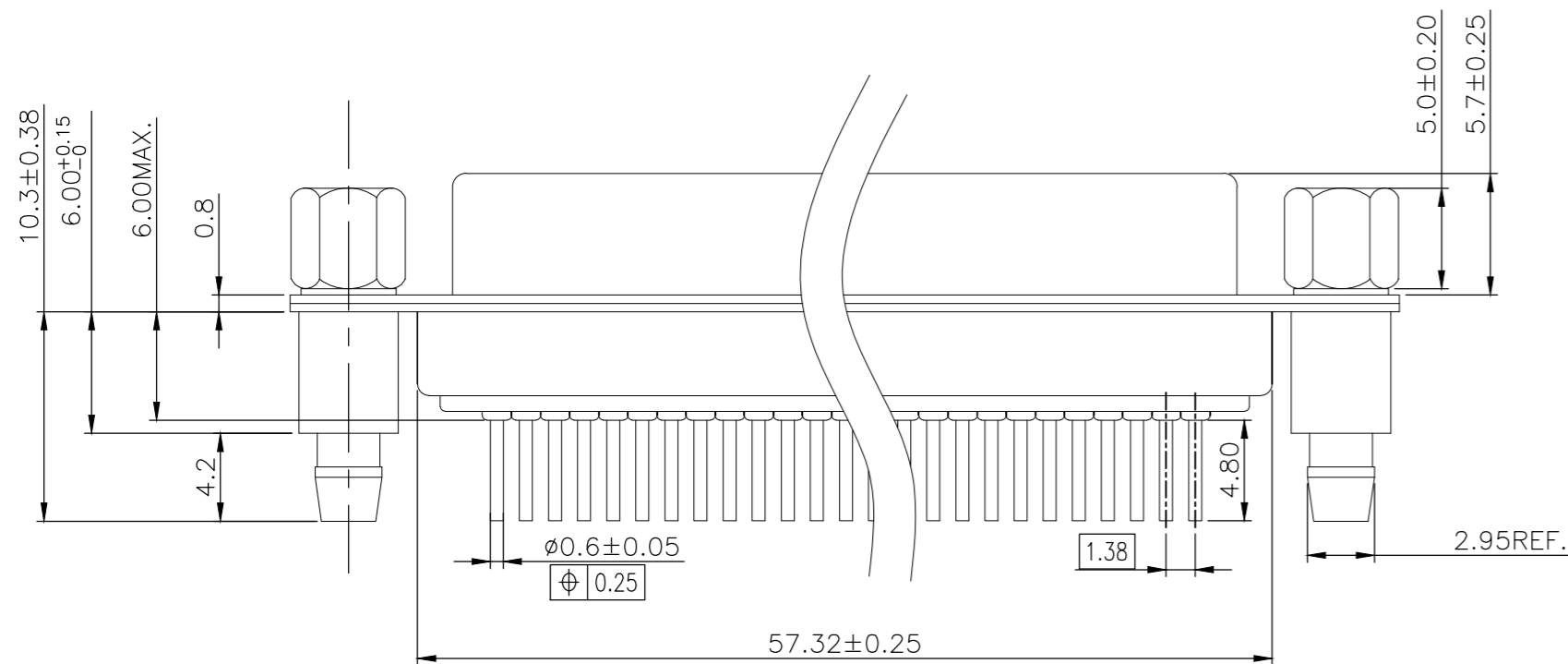
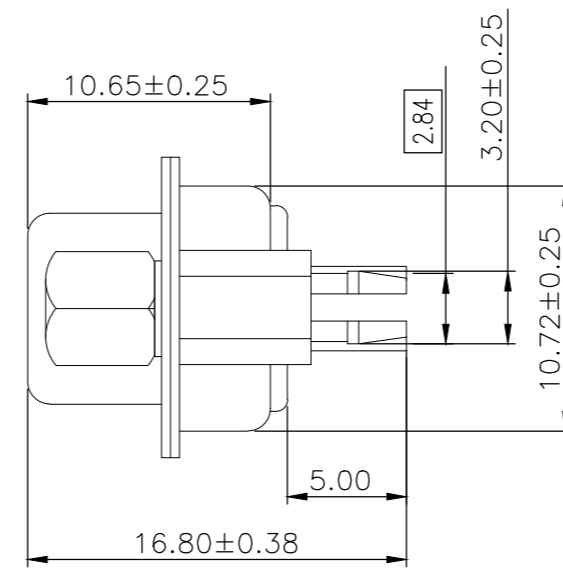
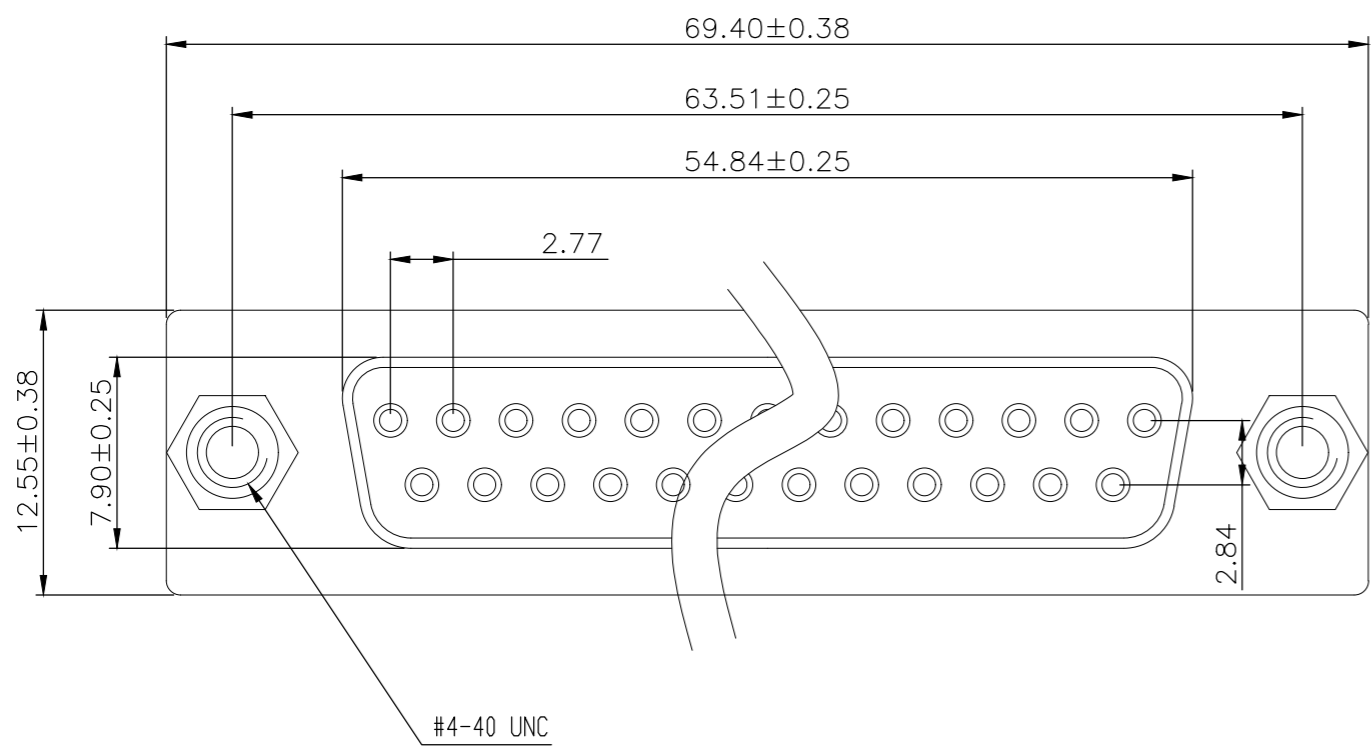


THIS DRAWING IS UNPUBLISHED. RELEASED FOR PUBLICATION
 © COPYRIGHT - A ALL RIGHTS RESERVED.

REVISIONS				
P	LTR	DESCRIPTION	DATE	APVD
E		REVISED PER ECO-18-001882	13FEB2018	AP DG

NOTE:

- MATERIAL:**
 HOUSING: PBT WITH 20% GF UL 94 V-0, BLACK COLOR
 CONTACTS: PHOSPHOR BRONZE.
 SHELL: STEEL.
 SCREW: BRASS.
 SCREW LOCK: BRASS.
 SCREW TORQUE: 5kgf-cm MAX.
- FINISH:**
 CONTACTS: GOLD PLATED ON CONTACT AREA,
 0.375µm [15µ"] MIN. MATTE TIN ON SOLDER TAIL
 2.54µm [100µ"], WITH ENTIRE CONTACT
 UNDERPLATED 1.27µm [50µ"] MIN. NICKEL.
 FRONT SHELL: 2.54µm [100µ"] MIN. NICKEL PLATED.
 REAR SHELL: 1.27µm [50µ"] MIN NICKEL UNDERPLATE.
 2.54µm [100µ"] MIN BRIGHT TIN PLATE
 SCREW LOCK: 1.27µm [50µ"] MIN. NICKEL PLATED.
 BOARDLOCK: 1.27µm [50µ"] MIN NICKEL UNDERPLATE
 1.27µm [50µ"] MIN MATTE TIN PLATE.
- WAVE SOLDER CAPABLE TO 265°C PER TE TEST SPEC. 109-202, CONDITION B.**



RECOMMENDED PCB LAYOUT

THIS DRAWING IS A CONTROLLED DOCUMENT.		DWN	AJITH PAI	07FEB2017
DIMENSIONS:		CHK	DAN GORENC	07FEB2017
mm	TOLERANCES UNLESS OTHERWISE SPECIFIED:	APVD	-	07FEB2017
	0 PLC	±	-	PRODUCT SPEC
	1 PLC	±	0.25	108-130013
	2 PLC	±	0.15	APPLICATION SPEC
	3 PLC	±	0.10	-
MATERIAL	FINISH	WEIGHT	0	CUSTOMER DRAWING
-	-	SCALE	3:1	SHEET 1 of 3

37w D skt W B/L & 4-40 s/lock 15u" gold		2301842-1	
DESCRIPTION		TE PART NO	
TE TE Connectivity			
NAME		D-SUB HD20 VERTICAL 37P SKT CONNECTOR	
SIZE	CAGE CODE	DRAWING NO	RESTRICTED TO
A2	00779	C=2301842	-
SCALE		SHEET	REV
3:1		1 of 3	E

4

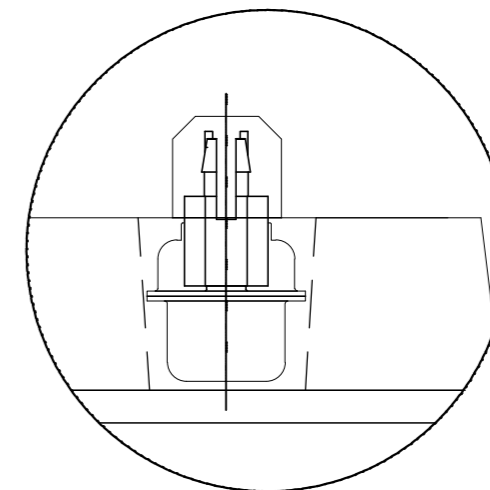
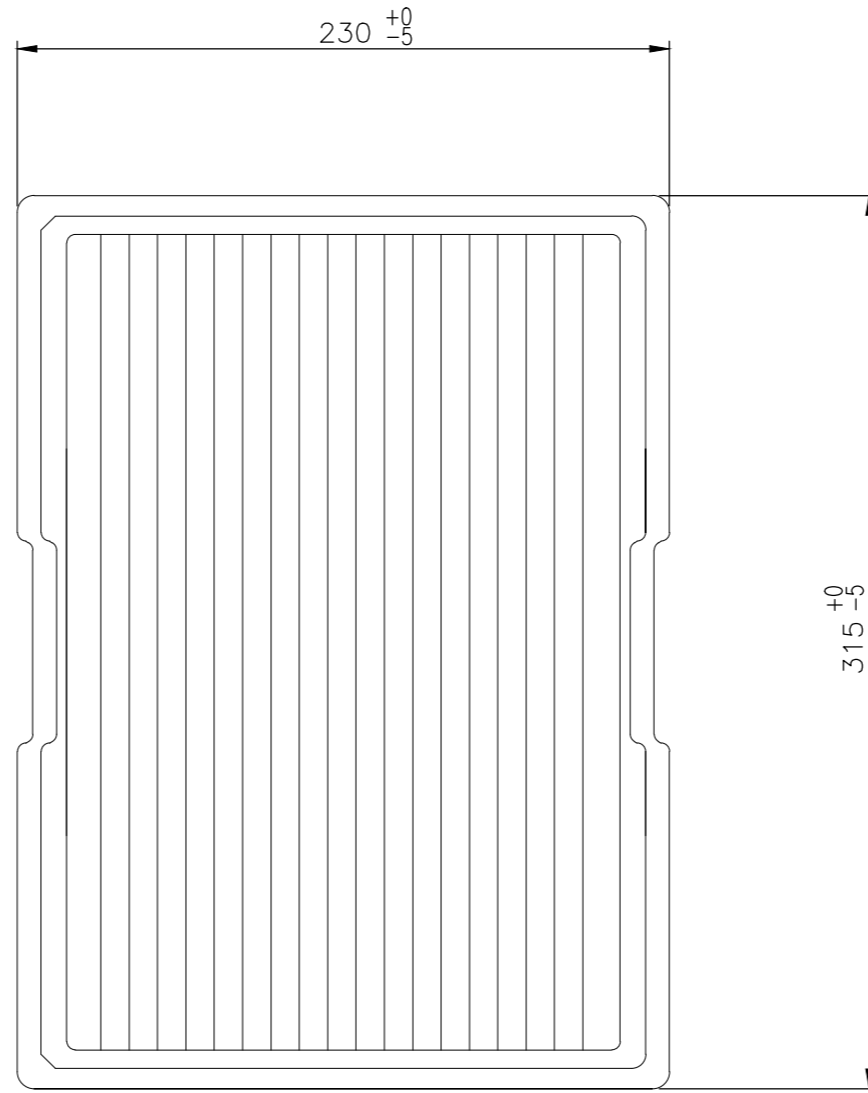
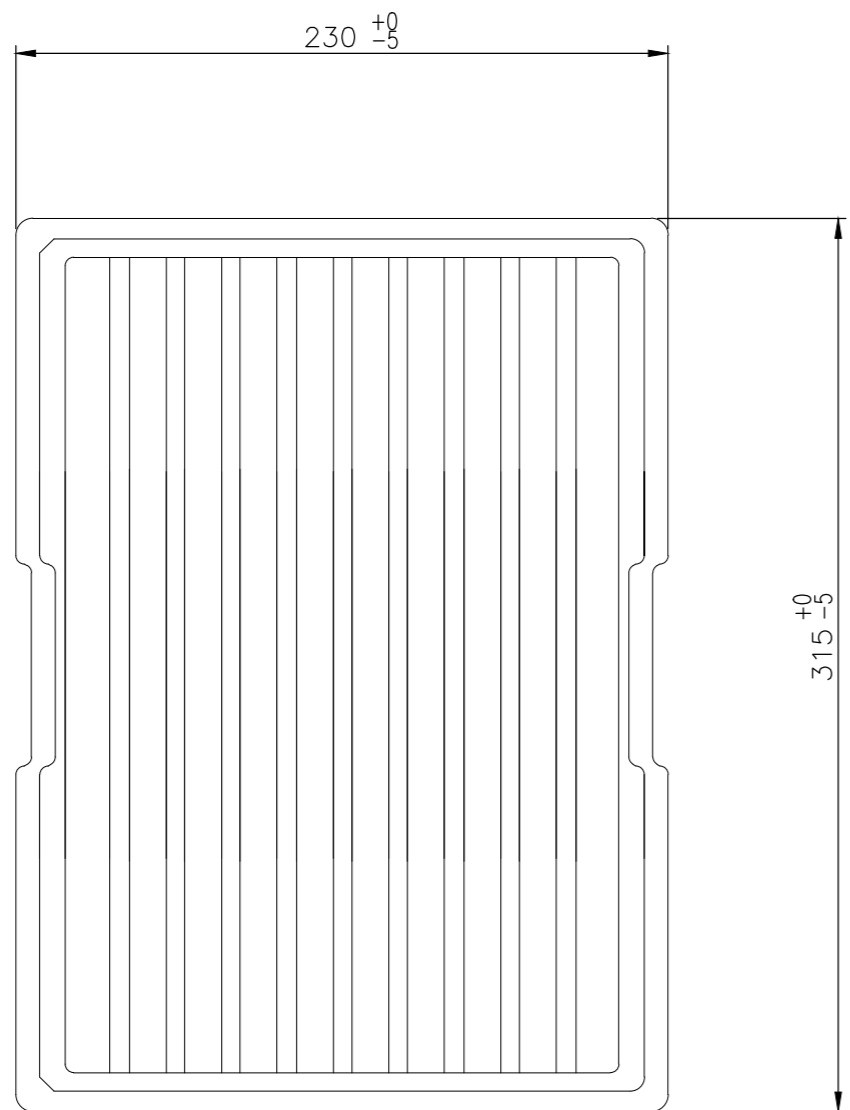
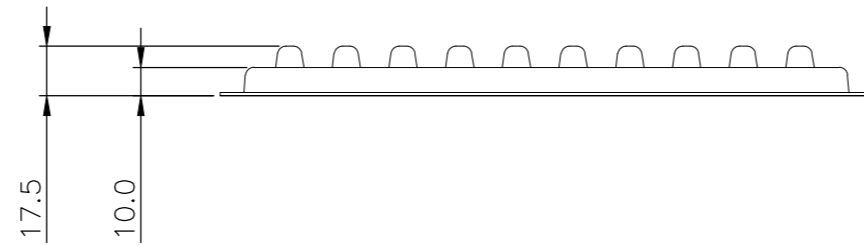
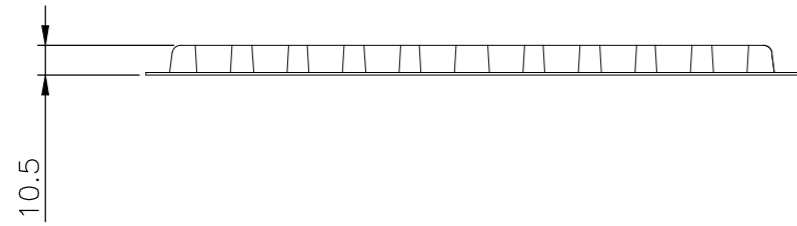
3

2

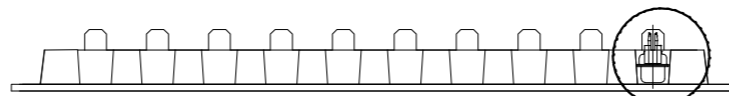
1

THIS DRAWING IS UNPUBLISHED. RELEASED FOR PUBLICATION
 © COPYRIGHT - By - ALL RIGHTS RESERVED.

REVISIONS				
P	LTR	DESCRIPTION	DATE	APVD
-	-	SEE SHEET 1	-	-



DETAIL A



SEE DETAIL A

THIS DRAWING IS A CONTROLLED DOCUMENT.		DWN AJITH PAI 07FEB2017		
		CHK DAN GORENC 07FEB2017		
		APVD - 07FEB2017	NAME	
DIMENSIONS: mm		PRODUCT SPEC 108-130013	D-SUB VERTICAL 37P SKT CONNECTOR	
TOLERANCES UNLESS OTHERWISE SPECIFIED:		APPLICATION SPEC	SIZE A2	CAGE CODE 00779
0 PLC ± -		WEIGHT 0	DRAWING NO C=2301842	RESTRICTED TO
1 PLC ± 0.25				
2 PLC ± 0.15				
3 PLC ± 0.10				
4 PLC ± -				
ANGLES ± -				
MATERIAL		SCALE 1:1		SHEET 2 of 3
FINISH		CUSTOMER DRAWING		REV E

4

3

2

1

THIS DRAWING IS UNPUBLISHED.

RELEASED FOR PUBLICATION

ALL RIGHTS RESERVED.

© COPYRIGHT - By -

REVISIONS

P	LTR	DESCRIPTION	DATE	DWN	APVD
-	-	SEE SHEET 1	-	-	-

PVC TRAY

CARDBOARD BOX

320

460

215

GROSS WEIGHT (kg)	NET WEIGHT (kg)	PCS/TRAY	TRAYS / CARTON	QUANTITY Pcs	PART NUMBER
16.619	14.040	40	20	800	2301842-1

THIS DRAWING IS A CONTROLLED DOCUMENT.		DWN	07FEB2017	 TE Connectivity D-SUB VERTICAL 37P SKT CONNECTOR	
DIMENSIONS:		CHK	07FEB2017		
mm		APVD	07FEB2017		
		PRODUCT SPEC	108-130013		
TOLERANCES UNLESS OTHERWISE SPECIFIED:		APPLICATION SPEC		SIZE	RESTRICTED TO
0 PLC	± -	WEIGHT		A2	-
1 PLC	± 0.25	0		CAGE CODE	00779
2 PLC	± 0.15	CUSTOMER DRAWING		DRAWING NO	C=2301842
3 PLC	± 0.10	SCALE		1:1	SHEET
4 PLC	± -	SCALE		1:1	3 of 3
ANGLES	± -	SCALE		1:1	REV
FINISH	-	SCALE		1:1	E

1471-9 (1/15)

2301842