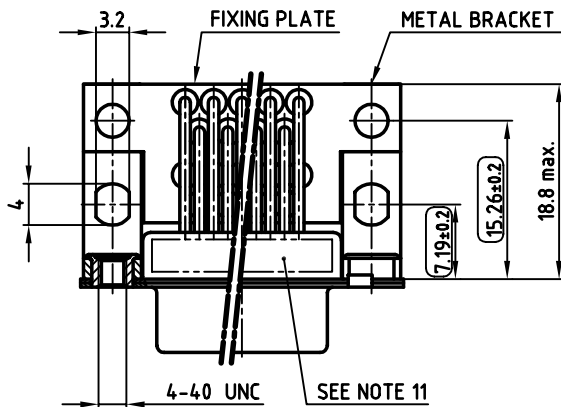
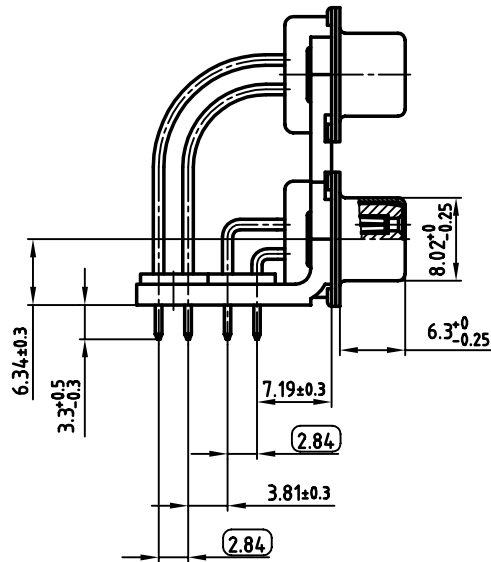
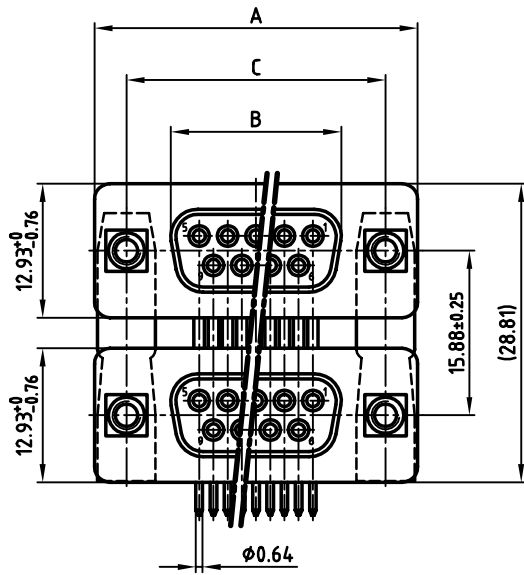


used for: D-SUB FILTER DUAL PORT



NOTES:

1. METALSHELLS: STEEL; min. 320µ" TIN
2. INSULATORS: PBT GF UL 94 V-0, BLACK
3. CONTACTS: COPPER ALLOY
PLATING: 8µ" HARD GOLD OVER min. 50µ" NICKEL
4. METAL BRACKET: STEEL; min. 320µ" TIN over 80µ" NICKEL
5. THREADED INSERT: COPPER ALLOY; min. 200µ" TIN over 80µ" NICKEL
6. FIXING-PLATE: PBT GF UL 94 V-0, BLACK
7. P.C.B. HOLE DRILLINGS ON SHEET 2 + 3
8. CAPACITANCE: 1300pF ±20%
9. DIELECTRIC WITHSTANDING VOLTAGE: 424 VDC
10. MAXIMUM TORQUE VALUE FOR THREAD: 6" LBS
11. CONNECTOR IS PART MARKED: PART-NO. CONEC ABC
12. = CHECK DIMENSION

POS.	A -0.76	B -0.25	C	Part-NO.
2x 9	31.19	16.46	25.00 ^{+0.12} / _{-0.13}	242A14060X
2x15	39.52	24.79	33.30 ^{+0.15} / _{-0.1}	242A14070X
2x25	53.42	38.50	47.04 ±0.13	242A14080X
2x37	69.70	54.96	63.50 ±0.13	242A14090X

APPROVAL # FREIGABE # DEBLOCAGE # AUTORIZACION # APPROVAL

CUSTOMER APPROVAL DATE:

NAME: TITLE:

COMPANY NAME:

APPROVAL # FREIGABE # DEBLOCAGE # AUTORIZACION # APPROVAL

THIS DRAWING MAY NOT BE COPIED OR REPRODUCED IN ANY WAY, AND MAY NOT BE PASSED ON TO A THIRD PARTY, WITHOUT WRITTEN PERMISSION. OWNERSHIP AND COPYRIGHT OF CONEC GmbH DO NOT ALTER CAD DRAWING BY HAND

rev.	description	date	name

tolerance dim. in mm

scale: 2:1

material: SEE NOTES

title: **D-SUB FILTER DUAL PORT 15.88mm**
2 x FEMALE 9pos. - 2 x FEMALE 37pos.
with threaded insert

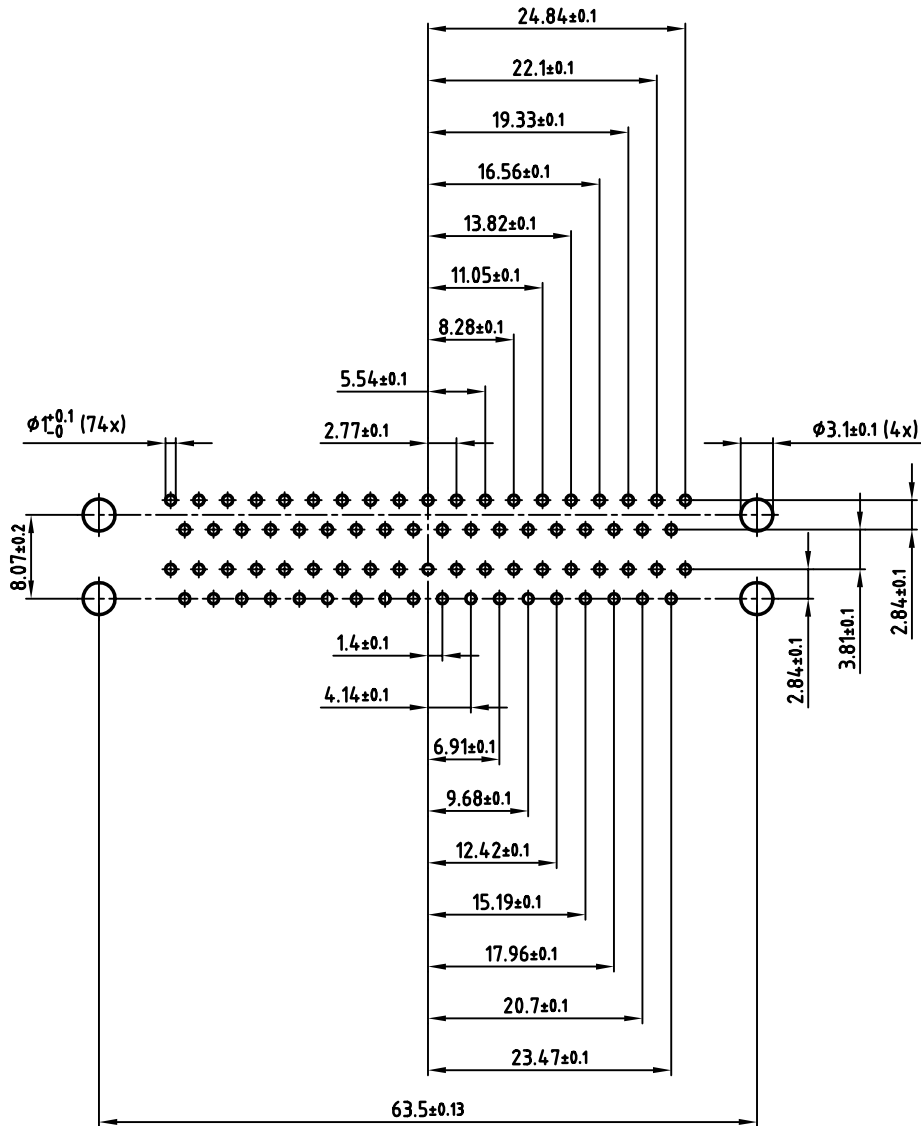
dwg no: AutoCAD 2000 DIN-A

24K1A516 3 sh:1/3

part no: SEE TABLE



used for: D-SUB FILTER DUAL PORT



2x37pos.

APPROVAL # FREIGABE # DEBLOCAGE # AUTOR/ZACION # APPROVAL

CUSTOMER APPROVAL DATE:

NAME: TITLE:

COMPANY NAME:

APPROVAL # FREIGABE # DEBLOCAGE # AUTOR/ZACION # APPROVAL

THIS DRAWING MAY NOT BE COPIED OR REPRODUCED IN ANY WAY, AND MAY NOT BE PASSED ON TO A THIRD PARTY, WITHOUT WRITTEN PERMISSION. OWNERSHIP AND COPYRIGHT OF CONEC GmbH DO NOT ALTER CAD DRAWING BY HAND

rev.	description	date	name

tolerance			 dim. in mm
2004	date	name	
drawn	04.03.	Lehmenkühler	
appd.	04.03.	Mickenbecker	
norm	DIN 41652		
d-old			

scale: 2:1

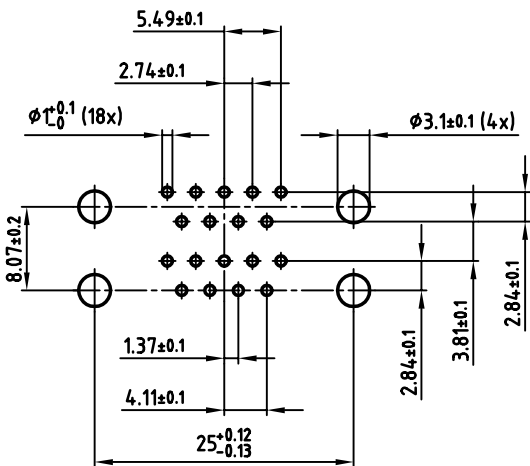
material: SEE SHEET 1

title: P.C.B. HOLE DRILLINGS
D-SUB FILTER DUAL PORT 15.88mm
2 x FEMALE 9pos. - 2 x FEMALE 37pos.

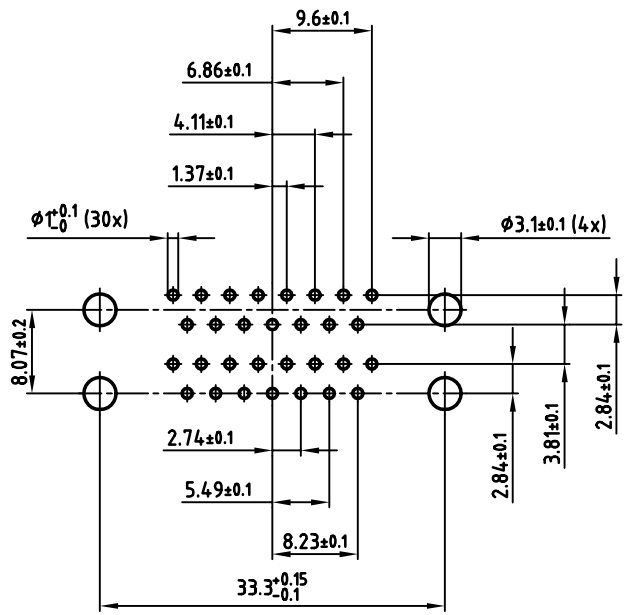
dwg no: AutoCAD 2000 DIN-A
3 sh:3/3

part no: SEE SHEET 1

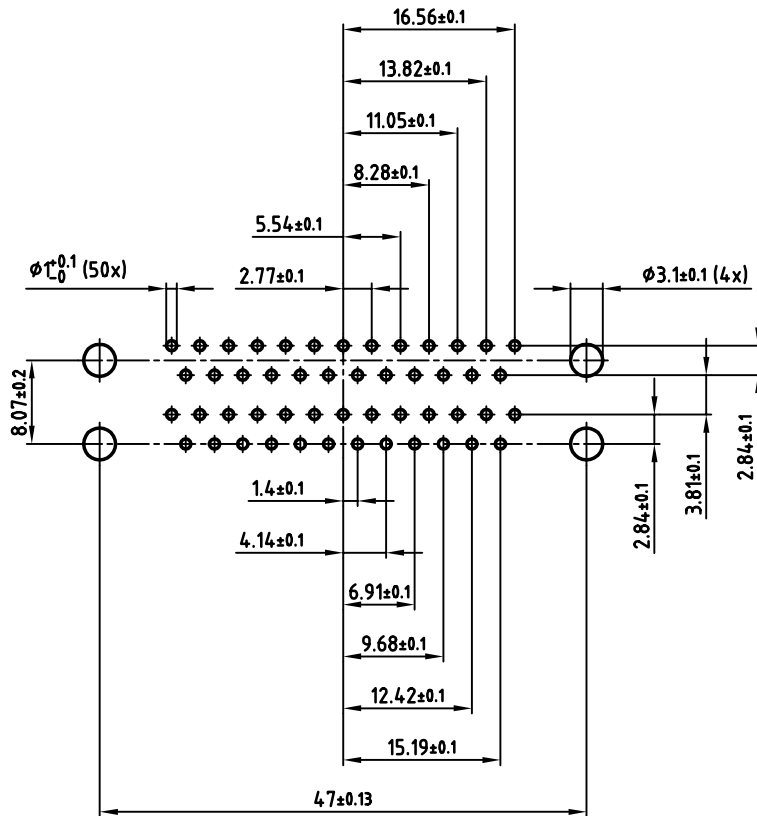
used for: D-SUB FILTER DUAL PORT



2x9pos.



2x15pos.



2x25pos.

APPROVAL * FREIGABE * DEBLOCAGE * AUTORIZACION * APPROVAL

CUSTOMER APPROVAL DATE:

NAME: TITLE:

COMPANY NAME:

APPROVAL * FREIGABE * DEBLOCAGE * AUTORIZACION * APPROVAL

THIS DRAWING MAY NOT BE COPIED OR REPRODUCED IN ANY WAY, AND MAY NOT BE PASSED ON TO A THIRD PARTY, WITHOUT WRITTEN PERMISSION. OWNERSHIP AND COPYRIGHT OF CONEC GmbH DO NOT ALTER CAD DRAWING BY HAND

rev.	description	date	name

tolerance		scale:	2:1
	dim. in mm	material:	SEE SHEET 1
2004	date	name	title:
drawn	04.03.	Lehmenkühler	P.C.B. HOLE DRILLINGS D-SUB FILTER DUAL PORT 15.88mm 2 x FEMALE 9pos. - 2 x FEMALE 37pos.
appd.	04.03.	Mickenbecker	
norm	DIN 41652		
d-old			dwg no: AutoCAD 2000
			DIN-A
			3
			sh:2/3
			part no: SEE SHEET 1

6

5

4

2

1