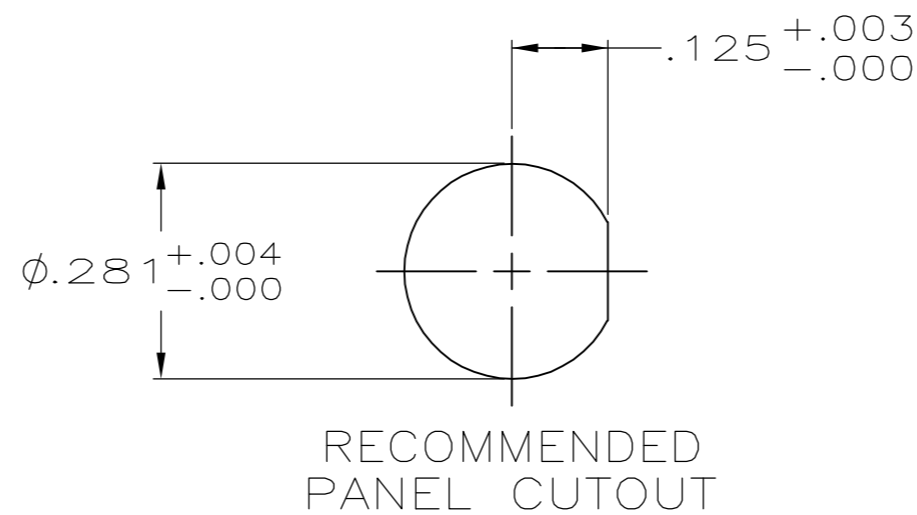
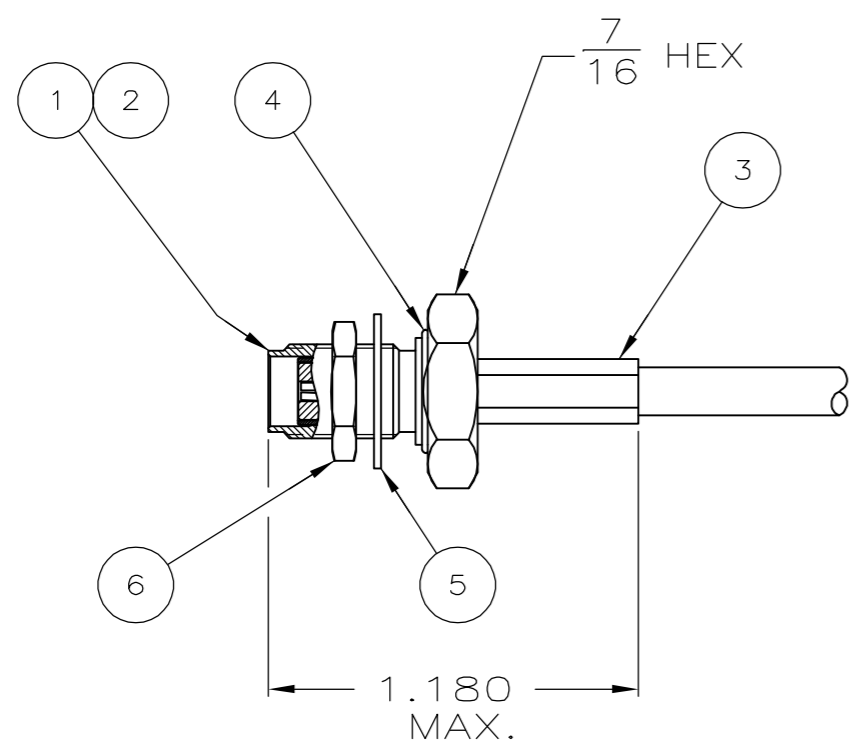
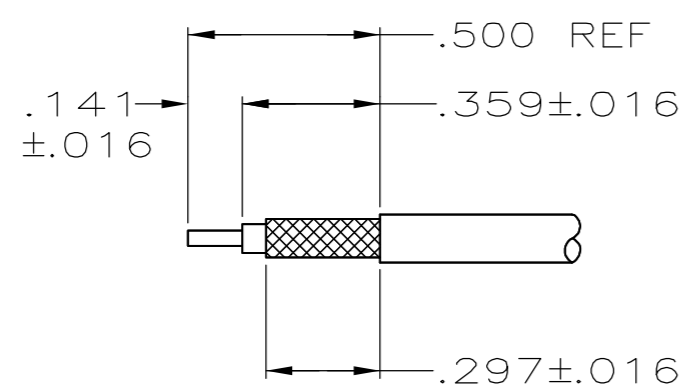


THIS DRAWING IS UNPUBLISHED. RELEASED FOR PUBLICATION  
 © COPYRIGHT BY TYCO ELECTRONICS CORPORATION. ALL RIGHTS RESERVED.

LOC	DIST	REVISIONS			
P	LTR	DESCRIPTION	DATE	DWN	APVD
		0	REV PER EC-0S14-0496-04	31JAN2005	LV DC



- ⚠ CENTER CONTACT: CRIMPING TOOL M22520/2-01 POSITIONER, DMC K997 SELECTOR SETTING PER TABLE.
- ⚠ FERRULE: CRIMPING TOOL M22520/5-01 DIE NUMBER OR HEX SIZE PER TABLE.
- 3. PRODUCT IS DESIGNED TO MEET PRODUCT SPECIFICATION 108-1574.
- ⚠ BRIGHT NICKEL PLATE.
- 5. INSTRUCTION SHEET: 408-4032



RECOMMENDED STRIP LENGTH FOR CRIMPED CENTER CONTACT

RG-174, 188 A, 316	DIE M22520/5-35 B OR .128X.400 HEX	#4	⚠	BRASS	2-332004-0	1-22145-3	1-22130-6	9-446556-1	447842-3	447870-4	5447650-3
CABLE SIZE	⚠ DIE # OR HEX SIZE	⚠ SELECTOR SETTING	FINISH	MATERIAL	⑥ JAM NUT QTY=1	⑤ LOCK WASHER QTY=1	④ O-RING QTY=1	③ FERRULE QTY=1	② CONTACT QTY=1	① BULKHEAD JACK ASSY QTY=1	PART NUMBER
			SHELL								

THIS DRAWING IS A CONTROLLED DOCUMENT.

DIMENSIONS: INCHES	TOLERANCES UNLESS OTHERWISE SPECIFIED:	DWN L. VARELA - DOCK5 31JAN2005	Tyco Electronics Corporation Harrisburg, PA 17105-3608
	0 PLC ± - 1 PLC ± - 2 PLC ± - 3 PLC ± - 4 PLC ± - ANGLES ± -	CHK J. HAVENER 31JAN2005	
MATERIAL	FINISH	APVD D. CAMELIO 31JAN2005	NAME
		PRODUCT SPEC	CONNECTOR, JACK, BULKHEAD, SMA, HEX CRIMP, COMMERCIAL
		APPLICATION SPEC	SIZE CAGE CODE DRAWING NO RESTRICTED TO
		WEIGHT	A2 00779 C=5447650
		CUSTOMER DRAWING	SCALE NONE SHEET 1 OF 1 REV 0