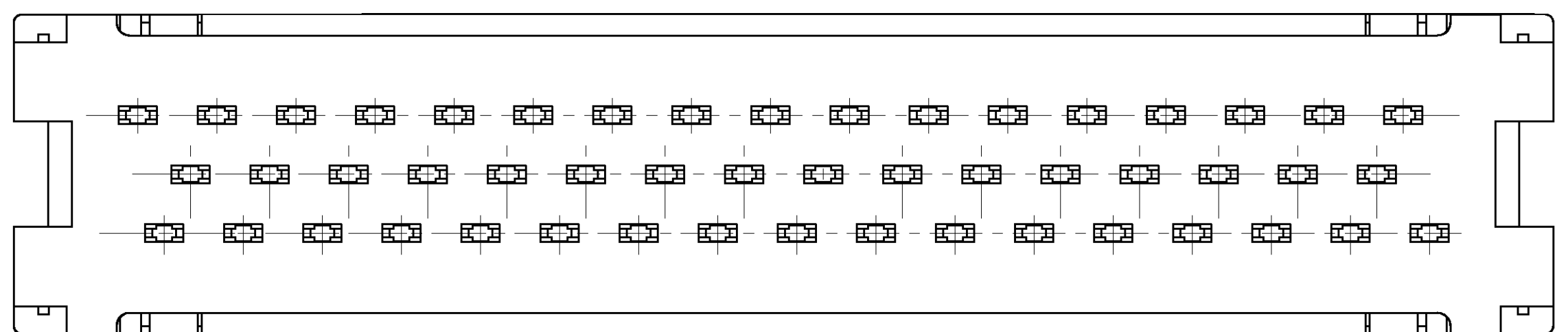
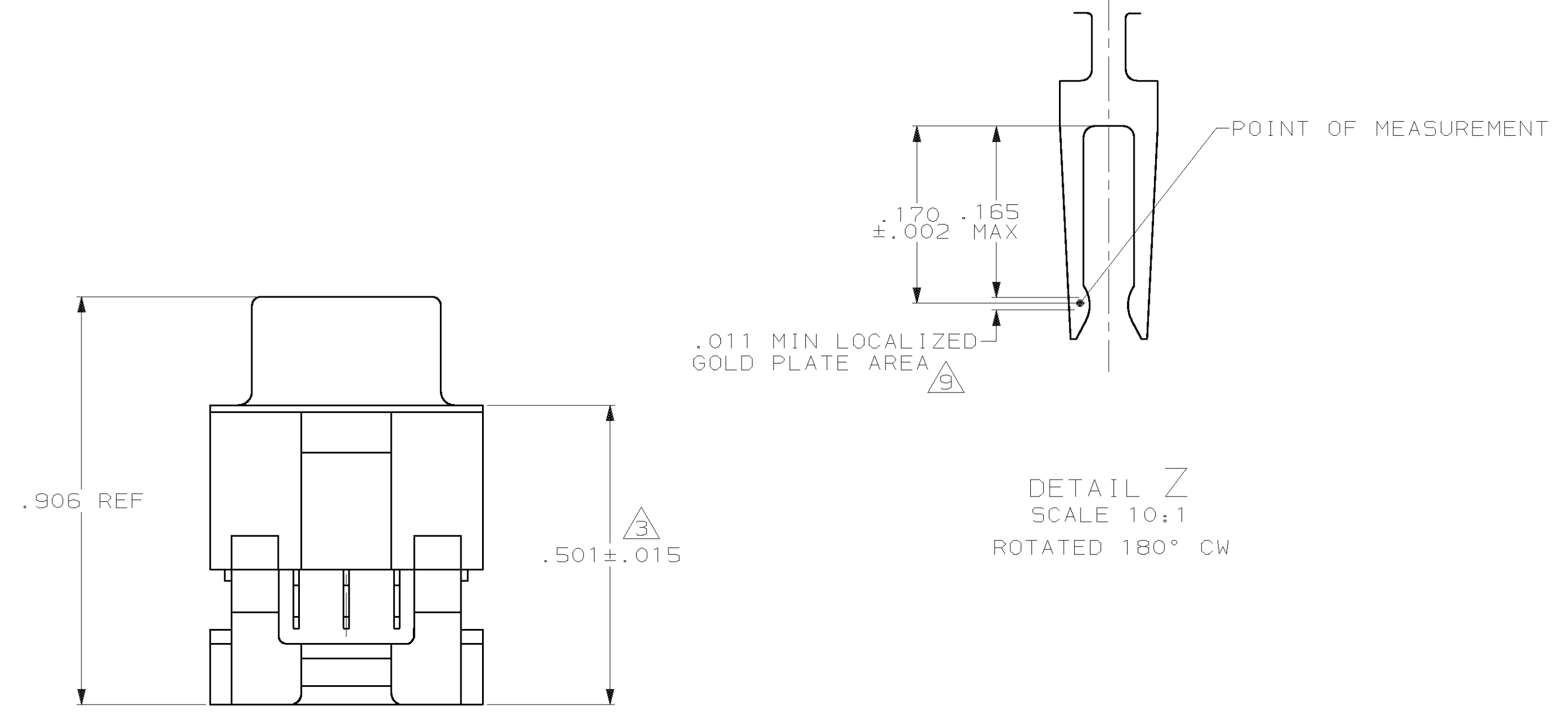
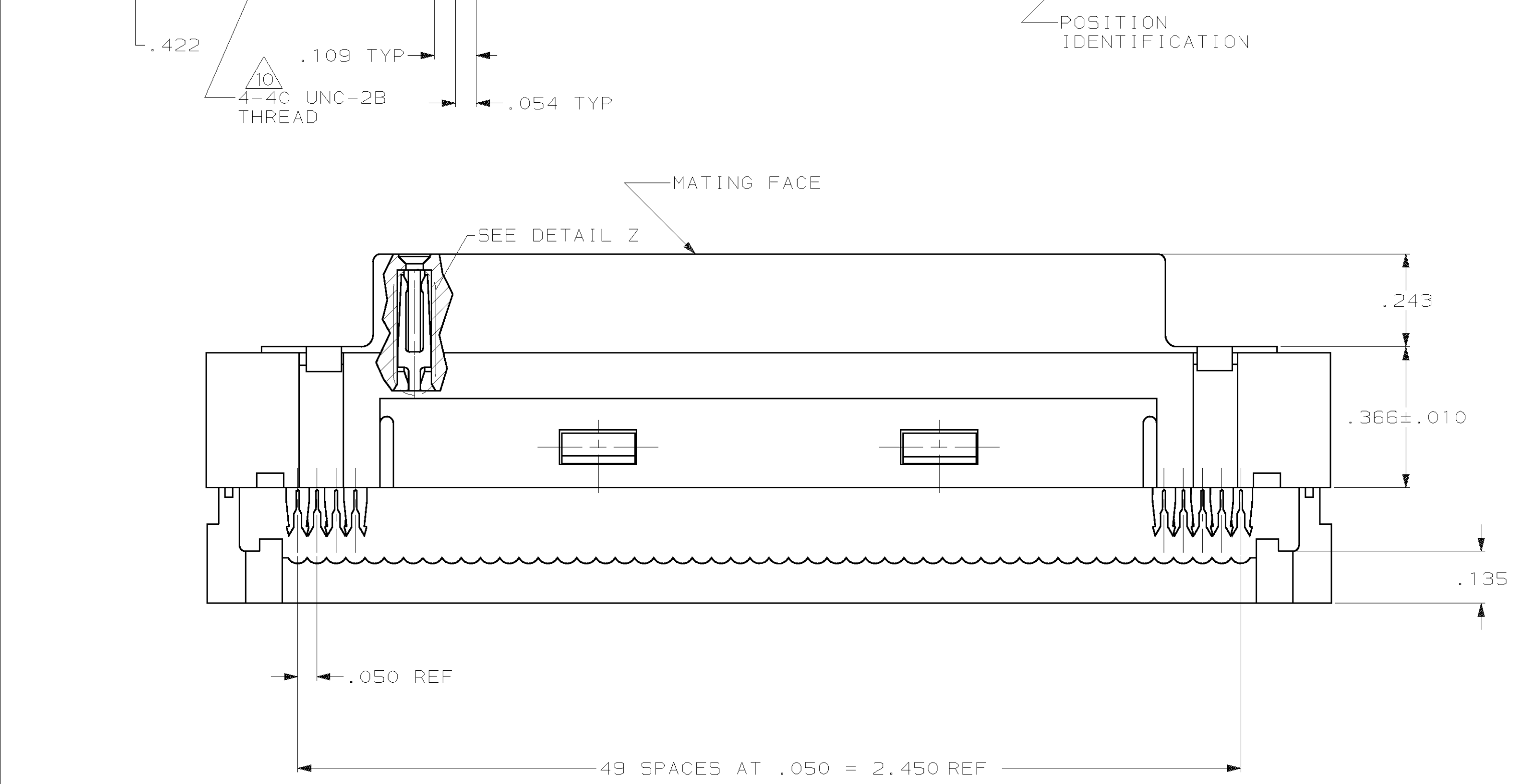


- CONNECTORS COMPLY WITH AMP SPEC 108-40012.
 - CONNECTOR DESIGNED FOR 28 AND 26 AWG STRANDED AND SOLID CONDUCTOR RIBBON CABLE ON .050 ϕ .
- \triangle 3 DIMENSION APPLIES TO TERMINATED CONNECTOR.
 \triangle 4 MOLDED PARTS: FLAME RETARDANT 94V-0 RATED THERMOPLASTIC; COLOR: BLACK.
 \triangle 5 STEEL PER QQ-S-698.
 \triangle 6 PH BRZ PER QQ-B-750.
 \triangle 7 GOLD PLATING PER MIL-G-45204, BRIGHT TIN PLATING PER MIL-T-10727, NICKEL PLATING PER QQ-N-290.
 \triangle 8 BRIGHT TIN PLATED.
 \triangle 9 PLATED .000030 GOLD IN LOCALIZED GOLD PLATE AREA, .000100 - .000200 BRIGHT TIN LEAD ON TERMINATION END, ALL OVER .000050 NICKEL ON ENTIRE CONTACT.
 \triangle 10 THE MAX SCREW PENETRATION INTO THE CONNECTOR = .312.



UNLESS OTHERWISE SPECIFIED DIMENSIONS ARE IN INCHES. TOLERANCES ON: DECIMALS ± .005 ANGLES ± 2°	CONTRACT NO	AMP AMP INCORPORATED Harrisburg, Pa.
	DR 11-27-85 J. PEACHEY	
	CHK 12-2-85 D. HOFFMAN	
	APPD 11-27-85 S. GOOD	
MATERIAL MOLDED PARTS: \triangle 4	APPD 12-2-85 D. HOFFMAN	NAME RCPT ASSY, 50 POSN LOW
SHELL: \triangle 5	DSGN APPD	PROFILE HDF, FRONT METAL SHELL,
CONTACTS: \triangle 6	OTHER APPD	W/PRE-ASSEMBLED COVER, AMP-LATCH
FINISH \triangle 7	SIZE D	FSCM NO 00779
SHELL: \triangle 8	SCALE NTS	DRAWING NO 746789
CONTACTS: \triangle 9		SHEET 1 OF 1

746789-1
PART NO