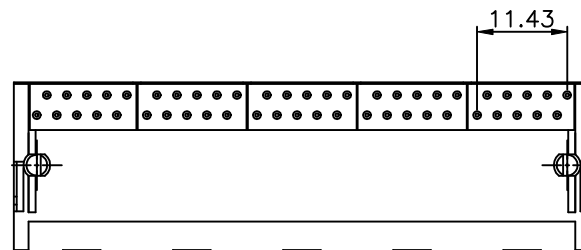
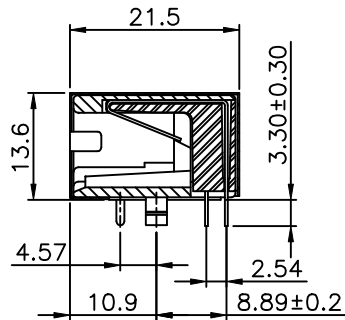
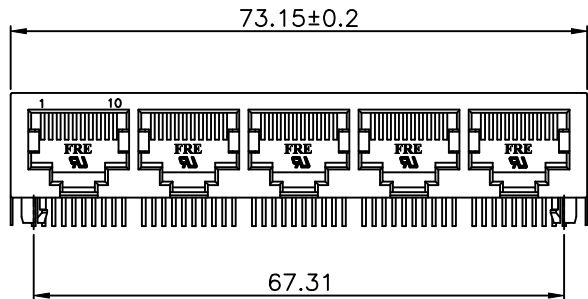


A1RFRD10

REVISION RECORD				
REV	ECO	DESCRIPTION	DRFT	CHKD



NOTES:

ELECTRICAL:

- VOLTAGE RATING : 125 VAC RMS.
- CURRENT RATING : 1.5 AMP.
- CONTACT RESISTANCE : 45 MILLIOHMS MAX.
- INSULATION RESISTANCE: 1000 MEGOHMS MIN @ 500 VDC.
- DIELECTRIC STRENGTH : 1000 VAC RMS 60Hz, 1MIN.

MECHANICAL:

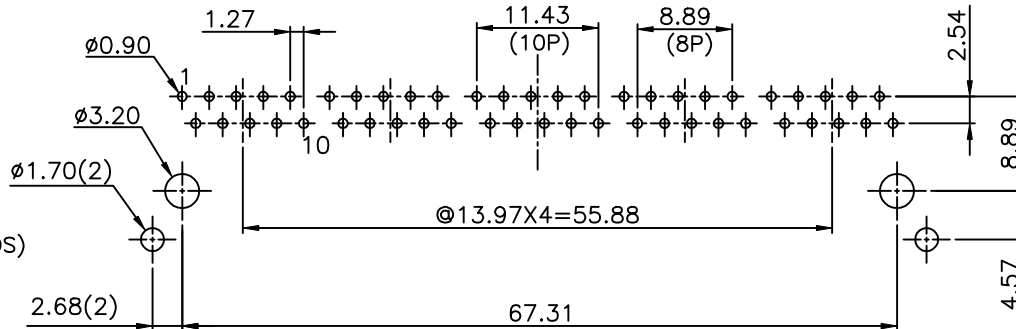
- HOUSING MATERIAL : NYLON+30%.G.F UL94V-0.
- CONTACT MATERIAL : PHOSPHOR BRONZE ϕ 0.46mm.
- PLATING : GOLD PLATING OVER NICKEL.
- OPERATING LIFE : 750 CYCLES MIN.
- PCB RETENTION PRE-SOLDER : 1 LB MIN.
- PCB RETENTION POST-SOLDER: 10 LBS MIN.

ENVIRONMENTAL:

- STORAGE : -40°C TO +85°C.
- OPERATION: 0°C TO 70°C.
- WAVE SOLDERING TEMPERATURE: 255°C~265°C (5~10 SECONDS)

MATES WITH MODULAR PLUG CONFORMING TO FCC PART 68, SUBPART F.

PART NUMBER: E590X-1XD13X-L



PC Board Layout Component Side Shown

NO. OF CONTACT
8 - 8 CONTACT
1 - 10 CONTACT

Gold Thickness:
1- 3u" 2- 6u" 3- 15u"
4-30u" 5-50u"

SHIELD:
3-TIN
5-NICKEL

DETACHED LISTS	MM (INCH)	DFTO JAMY	DATE 5/20/05	FULL RISE ELECTRONIC CO., LTD		
	TOLERANCES EXCEPT AS NOTED	CHKDQIANPU	DATE 2005/5/20			
	MM	MFO	DATE	TITLE 20.57 PCB JACK 10P (1X5)		
	.0 ± 0.2	APPVLLUSHENG	DATE 2005/5/20			
.00 ± 0.15	MATERIAL :	QT'Y :	DRAWING NO. GE593A83-LA		SIZE	REV
.000 ± 0.075	FINISH :	SCALE : 1.5:1	/PART NO. SEE NOTE		A3	0
ANGLES ±	THIRD ANGLE PROJECTION	DO NOT SCALE DRAWING		SHEET OF		