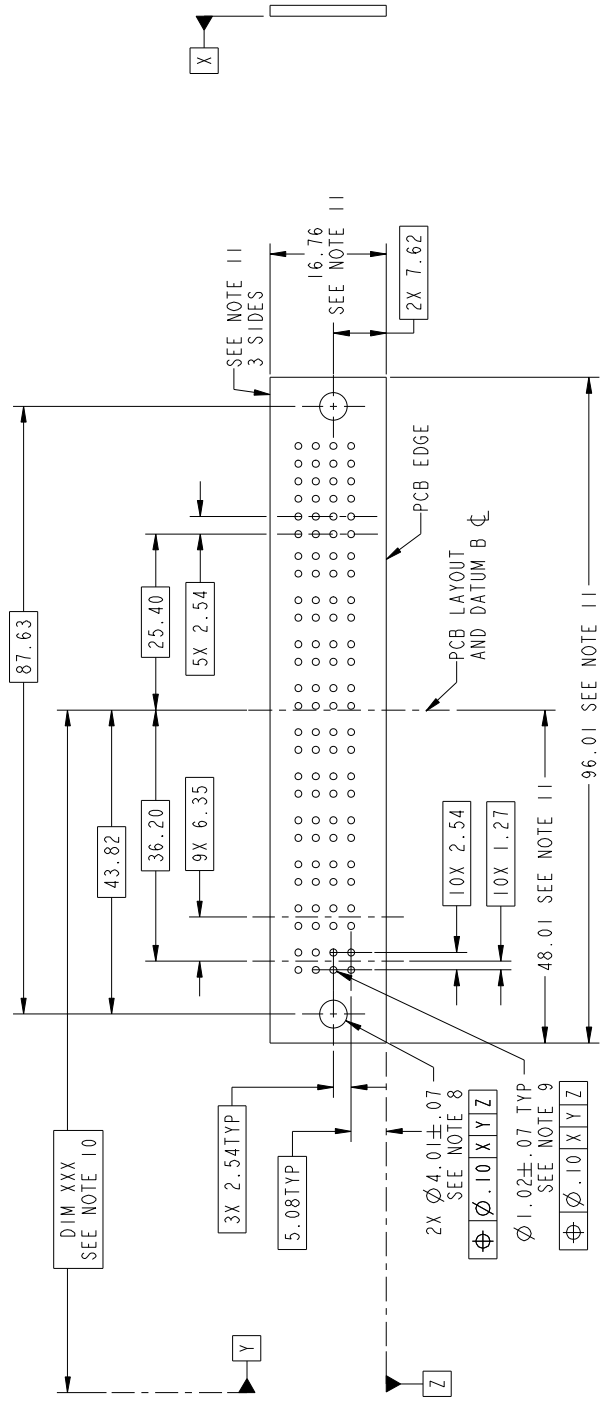






PRODUCT NUMBER  
51732-048--  
NOTE: 3



RECOMMENDED PCB LAYOUT

mat'l code		SEE NOTE		tolerances unless otherwise specified		CUSTOMER		FCI		www.fciconnect.com	
ltr	ecrn no.	dr	date	linear	0.X ± 0.5	projection	COPY	title	10P + 24S		
A				angles	0.XX ± 0.25			RIGHT ANGLE SOLDER HEADER	product family		
				dr	0.XXX ± 0.1				PwrBl code		
				engr	0° ± 2°				size		
				chr					213		
				appd					sheet		
									3 of 4		
sheet index	revision	sheet		scale	1:1				A		
									51732-048		
									cage code		
									22526		
									4		

1 | 2

1 | 2

3

3

4

4

Tous droits strictement réservés. Reproduction ou communication a des tiers interdite sous quelque forme que ce soit sans autorisation écrite du propriétaire. Propriete de c.FCI. Droits de reproduction FCI.



All rights strictly reserved. Reproduction or issue to third parties in any form whatever is not permitted without written authority from the proprietor. Property of FCI. Copyright FCI.

PRODUCT NUMBER  
 51732-048--  
 NOTE: 3

NOTES:

1. DIMENSIONS AND TOLERANCES ARE IN ACCORDANCE WITH ASME Y14.5M, 1994 UNLESS OTHERWISE SPECIFIED.

CONNECTOR NOTES:

② HOUSING MATERIAL: UL 94 V-0 GLASS FILLED HIGH-TEMP THERMOPLASTIC  
 POWER CONTACT MATERIAL: COPPER ALLOY  
 SIGNAL PIN MATERIAL: COPPER ALLOY

3. PLATING SPEC:  
 SEE ITEM 1 & 2 IN PRINT 10064183 FOR PLATING SPEC OF 51732-048; 51732-048LF RESPECTIVELY.

④ MANUFACTURER'S NAME, P/N, AND DATE CODE TO APPEAR ON THIS SURFACE.

5. PRODUCT SPECIFICATION GS-12-149.  
 APPLICATION SPECIFICATION BUS-20-067.

6. PACKAGED IN TRAYS.

PCB NOTES:

7. ALL HOLE DIAMETERS ARE FINISHED HOLE SIZE.

⑧ MOUNTING HOLES, WHERE APPLICABLE, ARE UNPLATED.

⑨  $\varnothing 1.151 \pm 0.025$  DRILLED HOLES PLATED WITH 0.008 MIN SnPb OR Sn OVER 0.03 TO 0.08 Cu PLATING TO ACHIEVE  $\varnothing 1.02 \pm .07$  HOLE.

⑩ "DIM XXX" TO BE DETERMINED BY THE CUSTOMER.

⑪ CONNECTOR KEEP-OUT ZONE.

Tous droits strictement réservés. Reproduction ou communication à des tiers interdite sous quelque forme que ce soit sans autorisation écrite du propriétaire. Propriété de c.FCI. Droits de reproduction FCI.



All rights strictly reserved. Reproduction or issue to third parties in any form whatever is not permitted without written authority from the proprietor. Property of FCI. Copyright FCI.

A

B

mat'l code		SEE NOTE		tolerances unless otherwise specified		CUSTOMER		FCI	
ltr	ecrn no.	dr	date	linear	angles	engr	chr	appd	title
A				0.X ± 0.5	0.XXX ± 0.25	JULIA WANG	GARY HSIEH	JOSEPH HSIA	RIGHT ANGLE SOLDER HEADER
				0.XXX ± 0.1	0° ± 2°	01/07/09	01/07/09	01/07/09	product family
									dwg no
									size
									code
									sheet
									4 of 4
									code
									213
									sheet
									4 of 4
									code
									22526
									code
									4

Pro/E