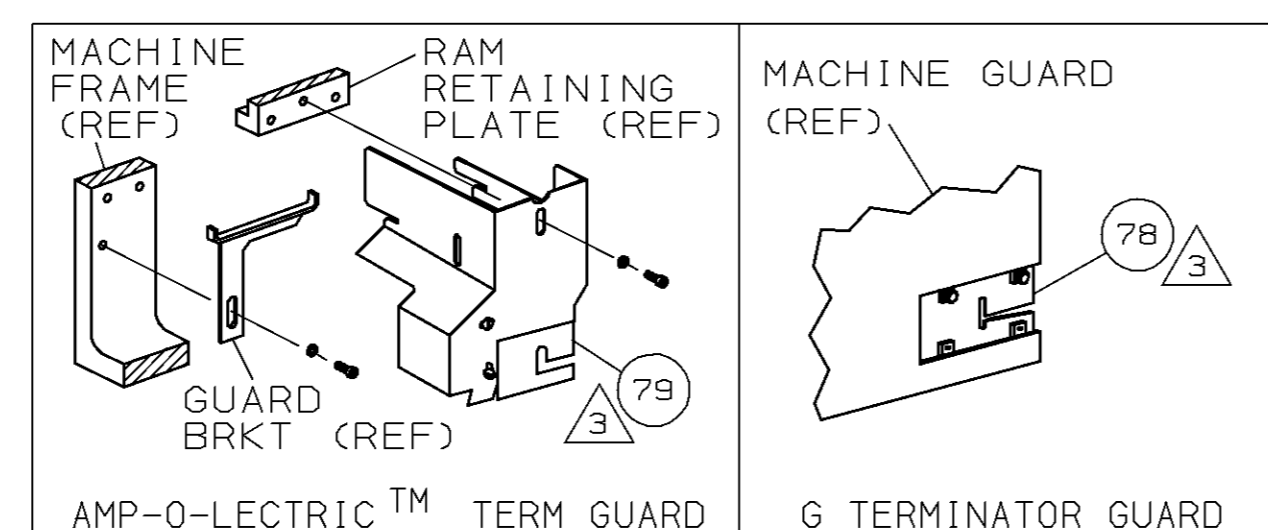


PART NUMBER	REV	FIRST USED
466420-1	B	122500-1
466420-2	D	565435-5
466420-3	D	354500-1

OBSOLETE



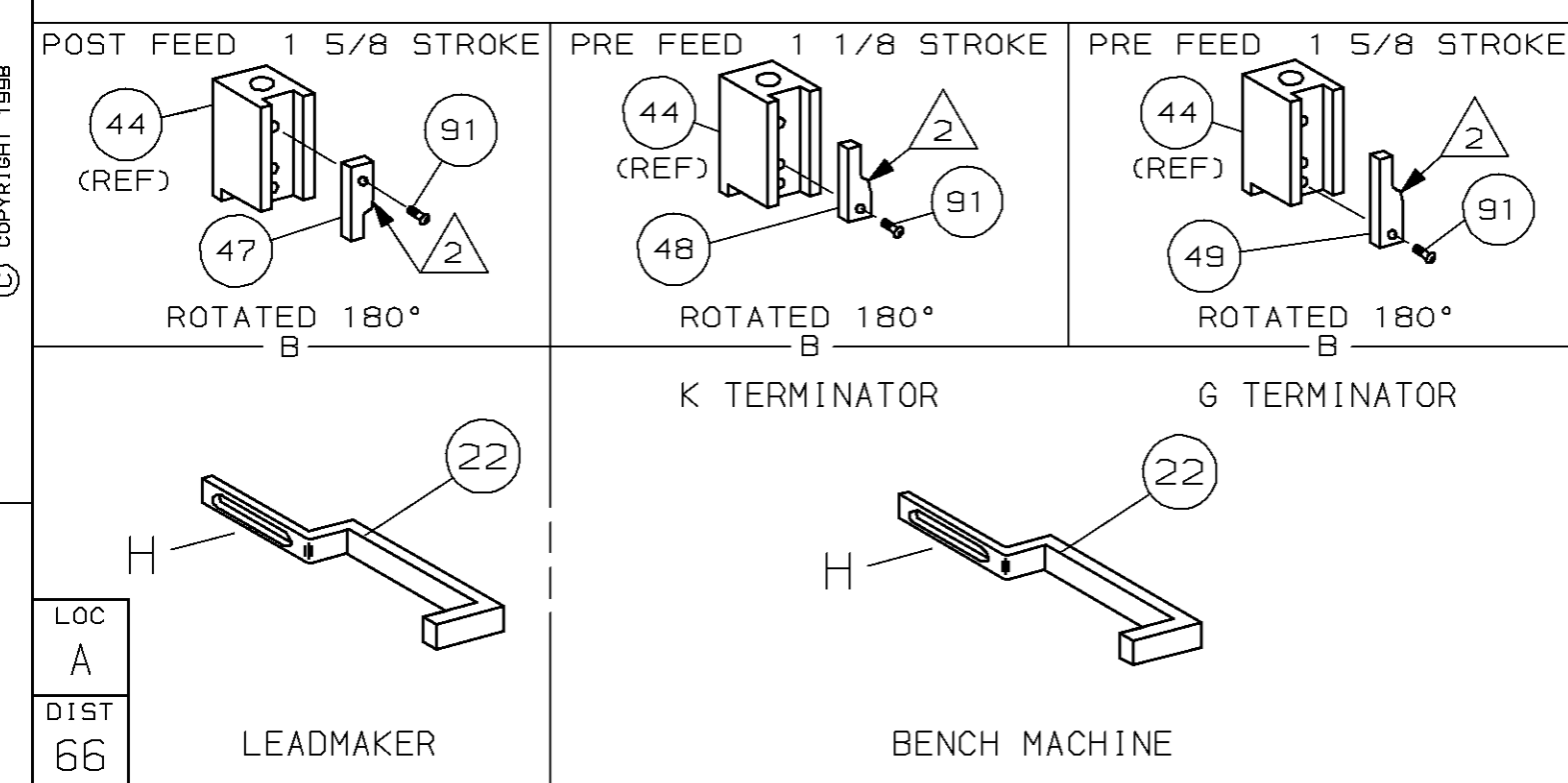
PIN		SOCKET		CRIMPING DATA		
PAD LTR	CRIMP HEIGHT	WIRE SIZE	CRIMP	SIZE	TYPE	RANGE
A	.045 ± .002 [1.14 ± 0.05mm]	18	WIRE	.070 [1.78mm]	F	24-18
B	.039 ± .002 [0.99 ± 0.05mm]	20	INSUL	.120 [3.05mm]	F	.110 MAX
C	.037 ± .002 [0.94 ± 0.05mm]	22				
D	.035 ± .002 [0.89 ± 0.05mm]	24				

QTY	REQD	PER	ASSY	WIRE STRIP LENGTH	TERM APPL SPEC	FEED	APPL INSTRUCTION	SET UP GAGE	LAYOUT
2	2	2	-	C	6-354779-2	PIN, WIRE DISC (.3300)D	129		
2	2	2	-	C	5-354779-8	PIN, WIRE DISC (.3280)C	128		
2	2	2	-	C	5-354779-4	PIN, WIRE DISC (.3260)B	127		
2	2	2	-	C	4-354779-2	PIN, WIRE DISC (.3200)A	126		
1	1	1	-	A	986950-1	WASHER, FLAT PRECISION	125		
2	2	2	-	A	21045-3	RING, RET "C" (Ø.187)FD FING PIN	124		
2	2	2	-	A	5-21028-1	PIN, SLT SPR (Ø.125x.50)ADJ ROD	122		
1	1	1	-	A	4-21028-0	PIN, SLT SPR (Ø.093x.75)ST GDE PL	121		
1	1	1	-	A	1-21030-1	PIN, DOWEL (Ø.187x.50)LEVER	120		
1	1	1	-	A	1-21030-6	PIN, DOWEL (Ø.187x1.25)HOUSING	119		
1	5	5	-	A	21024-5	WASHER, LOCK (#10)ADJ BLOCK	118		
1	1	1	-	A	21024-2	WASHER, LOCK (#4)FRONT STP GUIDE	114		
4	4	4	-	A	21024-4	WASHER, LOCK (#8)STRIPPER	111		
1	1	1	-	A	21899-4	WASHER, FLAT (Ø5/16)SCREW ADJ	110		
1	1	1	-	A	21018-5	NUT, HEX (6-32)FEED ADJ	107		
1	1	1	-	A	21009-2	SCR, SKT SET (1/4-20x.25 LW)RAM	103		
2	2	2	-	A	21017-2	SCR, DRIVE (#2x.19)ID PLATE	102		
1	1	1	-	A	6-23715-5	SCR, PAN HD (6-32x1.50)FEED ADJ	101		
1	1	1	-	B	461264-1	PLATE, IDENTIFICATION	100		
2	2	2	-	A	3-21002-0	SCR, BHC (10-32x.88)DRAG	99		
1	1	1	-	A	22733-8	SCR, BHC (8-32x.38 LW)ANVIL	98		
2	2	2	-	A	2-21002-9	SCR, BHC (10-32x.75)CAP	97		
3	3	3	-	A	2-22733-8	SCR, BHC (1/4-20x.62)HOUSING	96		
1	1	1	-	A	2-21002-7	SCR, BHC (10-32x.50)SG ADJ BLOCK	95		
4	4	4	-	A	2-21002-2	SCR, BHC (8-32x.50)TERM H DWN	94		
2	2	2	-	A	1-21002-5	SCR, BHC (4-40x.50)	92		
1	1	1	-	A	1-21002-7	SCR, BHC (6-32x.38)CAM	91		
2	2	2	-	A	2-21000-9	SCR, SHC (8-32x.75)DEP-HOLD	87		
1	1	1	-	A	2-22603-0	SCR, HEX HD (8-32x.31)FEED FINGER	86		
2	2	2	-	A	1-21000-3	SCR, SHC (4-40x.25)F ST GUIDE	85		
1	1	1	-	A	2-21000-7	SCR, SHC (8-32x.50)STRIPPER	84		
2	2	2	-	A	3-21000-7	SCR, SHC (10-32x.75)FEED ROD GD	83		
2	2	2	-	A	3-21000-6	SCR, SHC (10-32x.62)FEED ADJ BLK	82		
2	2	2	-	A	3-21000-4	SCR, SHC (10-32x.38)SG ADJ BL	81		
-	1	-	-	B	455755-2	GUARD ASSY	79		
1	-	-	-	B	679532-1	INSERT, GUARD	78		
1	1	1	-	A	690603-1	SPRING, ASSIST	74		
1	1	1	-	A	23030-1	SCR, SHC (6-32x.25 SL)INS DISC	73		
1	1	1	-	A	458109-1	WASHER, SPECIAL	72		
1	1	1	-	A	690517-1	SPACER	71		
-3	-2	-1	U/M	DWG SIZE	PART NO	DESCRIPTION	ITEM NO		

QTY	REQD	PER	ASSY	LEADMAKER	MECH POST FEED	MECH PRE FEED	ITEM NO
1	1	1	-	B	22594-8	NUT, HEX (1/2-20)	70
1	1	1	-	B	240628-1	PLATE, ADJUSTMENT	69
1	1	1	-	B	240626-1	SHAFT, PIVOT	68
1	1	1	-	B	240633-1	BUSHING	67
1	1	1	-	A	455680-1	LEVER, INTERMEDIATE	66
1	1	1	-	B	240629-1	BLOCK, PIVOT	65
1	1	1	-	A	240632-2	SCREW, ADJ FEED ROD	64
1	1	1	-	B	240659-3	PIN, CAM ROLLER	63
1	1	1	-	B	240658-1	ROLLER, CAM	62
1	1	1	-	B	454398-2	ROD, FEED	61
1	1	1	-	A	454178-1	GUIDE, FEED ROD	60
1	1	1	-	C	454220-1	CAP, RAM	59
1	1	1	-	D	454485-3	HOUSING	58
1	1	1	-	B	690542-2	PAWL, FEED	56
1	1	1	-	B	240624-1	PIN, FEED FINGER	55
1	1	1	-	B	691499-1	SPRING, FEED FINGER	54
1	1	1	-	A	690541-1	HOLDER, FEED FINGER	53
1	1	1	-	B	455679-1	LEVER, TERMINAL FEED ARM	52
1	-	-	-	B	690602-6	CAM, PRE-FEED 1 5/8 ST	49
-	1	-	-	B	690602-5	CAM, PRE-FEED 1 1/8 ST	48
-	-	-	-	B	690501-4	CAM, POST-FEED 1 5/8 ST	47
1	1	1	-	A	690191-1	PLUG, NYLON	45
1	1	1	-	C	455673-1	RAM	44
1	1	1	-	A	690125-1	WASHER, LAMINATED	43
1	1	1	-	A	690124-1	WASHER, RAM	42
1	1	1	-	A	7-21002-9	BOLT, CRIMPER (5/16x1.00)	41
1	1	1	-	A	23241-6	BALL, STEEL	40
1	1	1	-	A	690170-1	SPRING, COMPRESSION	39
1	1	1	-	C	690142-1	DISC, INSULATION	38
1	1	1	-	D	354777-1	WIRE DISC, PLASTIC	37
1	1	1	-	A	22480-5	WASHER, SPRING	36
1	1	1	-	B	690212-1	POST, RAM	35
1	1	1	-	B	460770-1	SUPPORT, TERMINAL	34
1	1	1	-	D	462504-1	PLATE, BASE	33
1	1	1	-	A	690432-3	SCREW, ADJUSTMENT	32
1	1	1	-	B	455689-1	BLOCK, STRIP GUIDE ADJ	30
1	1	1	-	C	1-455671-5	PLATE, STRIP GUIDE	29
1	1	1	-	C	1-455888-1	SPACER, FRONT SHEAR DEP	28
2	2	2	-	A	1-22284-0	SPRING, DRAG	27
1	1	1	-	B	690546-1	LEVER, DRAG RELEASE	26
1	1	1	-	B	240792-5	DRAG, TERMINAL	25
1	1	1	-	D	690504-8	GUIDE, STRIP (REAR)	24
1	1	1	-	A	690438-1	GUIDE, STRIP (FRONT)	23
1	1	1	-	B	456468-5	STRIPPER	22
1	1	1	-	A	4-22284-9	SPRING, FEED RETURN	21
1	1	1	-	B	460801-1	HOLDER, TERMINAL	18
1	1	1	-	B	318563-1	GUARD, CHIP (FRONT)	16
1	1	1	-	C	462501-1	DEPRESSOR, SHEAR (FRONT)	5
1	1	1	-	B	238011-6	SPACER, BLOCK CRIMPER	4
1	1	1	-	C	458210-4	CRIMPER, INSULATION	3
1	1	1	-	C	455888-6	SPACER, CRIMPER	2
1	1	1	-	C	458209-6	CRIMPER, WIRE	1

THIS DRAWING IS A CONTROLLED DOCUMENT

THIS DRAWING IS UNPUBLISHED. FEB 11, 1998 RELEASED FOR PUBLICATION BY AMP, INCORPORATED. ALL INTERNATIONAL RIGHTS RESERVED.



- 1 RECOMMENDED SPARE PARTS.
- 2 GREASE LIGHTLY.
- 3 GUARD MUST BE IN PLACE WHEN OPERATING APPLICATOR IN A BENCH MACHINE.
- 4 LUBRICATE DAILY USING NO. 20 MACHINE OIL.