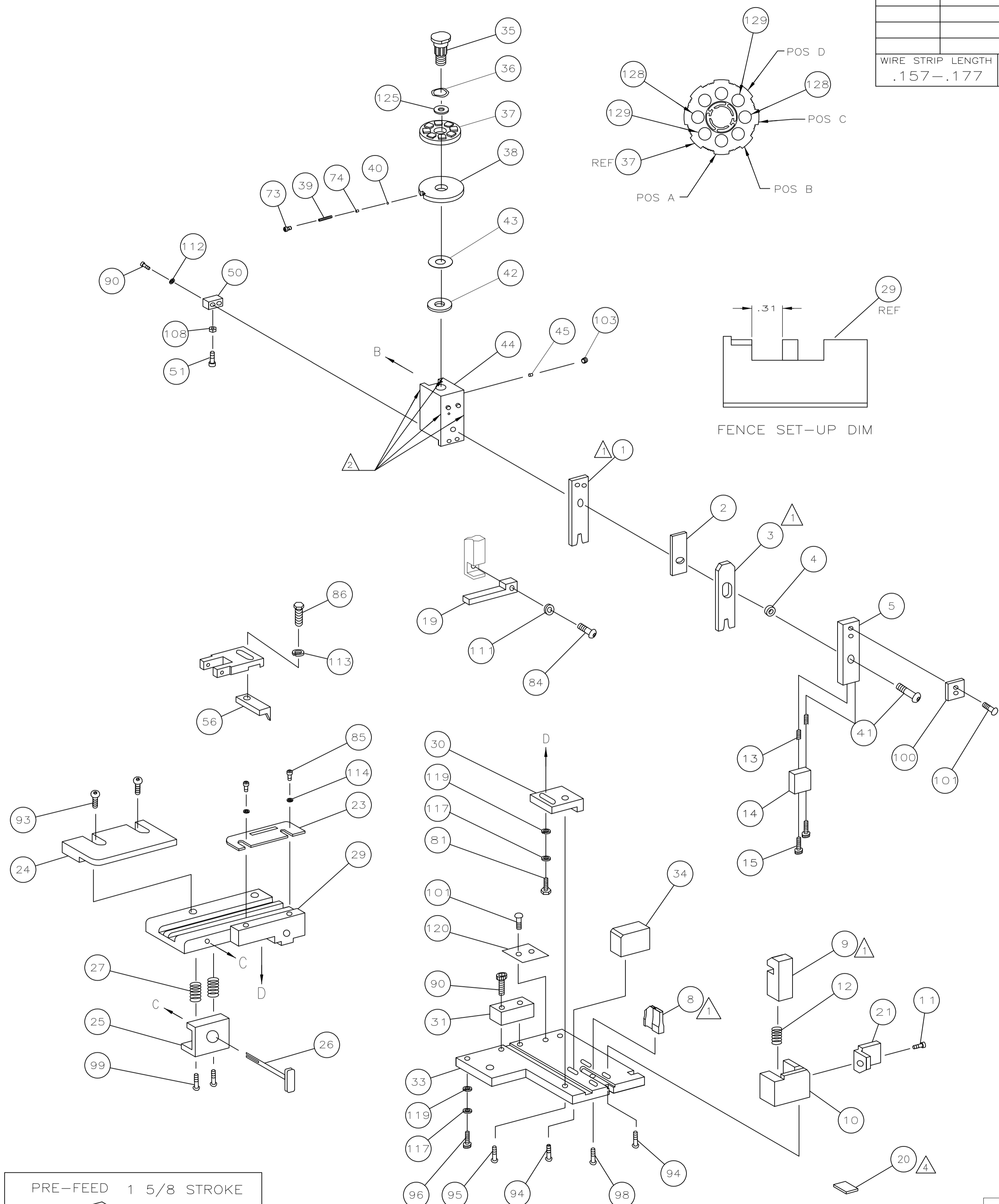


THIS DRAWING IS A CONTROLLED DOCUMENT.

PART NUMBER	REV	FIRST USED
567949-1	C	854040-3

TERMINAL NAME: .040 RCPT HYBRID I/O CONN			
VISIBLE	CRIMPING DATA		
PAD LTR	CRIMP HEIGHT		WIRE SIZE
A	.040 ±.002 [1.02 ±0.05mm]	20	
B	.036 ±.002 [0.91 ±0.05mm]	22	
C	NOT	USED	
D	NOT	USED	
CRIMP SIZE	TYPE	RANGE	
WIRE .062 [1.575mm]	F	22-20	
INSUL .070 [1.778mm]	△	.055-.078	
WIRE STRIP LENGTH	TERM APPL SPEC	FEED	APPL INSTRUCTION
.157-.177	△	△ .433	SEE CUSTOMER MANUAL
SET UP GAGE	LAYOUT		
NONE	L1389		

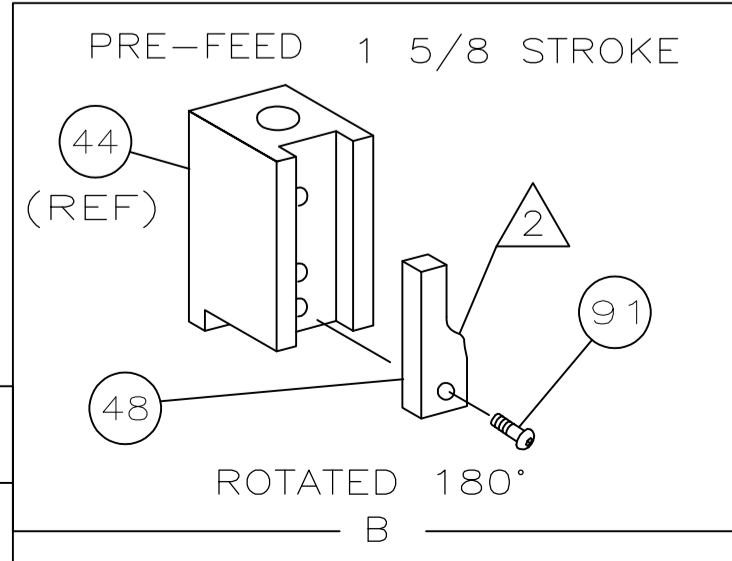
SIM TO HDM 567381



FENCE SET-UP DIM

2	-	5-354779-8	PIN, WIRE DISC (.3280)D	129	
2	-	4-354779-9	PIN, WIRE DISC (.3235)C	128	
				127	
				126	
1	-	986950-1	WASHER, FLAT PRECISION	125	
1	-	217238-3	GENERAL INSTRUCTION PACKAGE	124	
				123	
				122	
				121	
1	-	690701-2	PLATE, SERIAL NO.	120	
2	-	21899-2	WASHER,FLAT(#10)S G ADJ BLK	119	
				118	
2	-	21024-5	WASHER, LOCK(#10)ADJ BLOCK	117	
				116	
				115	
2	-	21024-2	WASHER,LOCK(#4)FRONT STP GUIDE	114	
REF	-	21024-4	WASHER,LOCK(#8)FEED FINGER	113	
2	-	21024-4	WASHER,LOCK(#8)DEP-HOLD	112	
REF	-	21024-4	WASHER,LOCK(#8)STRIPPER	111	
				110	
				109	
1	-	21018-5	NUT,HEX(#6)HOLD DOWN	108	
				107	
				106	
				105	
				104	
1	-	21009-2	SCR,SKT SET(1/4-20x.25 LW)RAM	103	
				102	
4	-	21017-2	SCR,DRIVE(#2x.19)ID PLATE	101	
1	-	819347-1	PLATE, IDENTIFICATION	100	
2	-	3-21002-0	SCR,BHC(10-32x.88)DRAG	99	
1	-	22733-8	SCR,BHC(8-32x.38 LW)ANVIL	98	
				97	
1	-	3-21000-8	SCR,SHC(10-32x.88)MOUNTING	96	
1	-	2-21002-7	SCR,BHC(10-32x.50)SG ADJ BLK	95	
2	-	2-21002-2	SCR,BHC(8-32x.50)SHEAR-TERM SUP	94	
4	-	2-21002-1	SCR,BHC(8-32x.38)SHEAR-R STR GUIDE	93	
				92	
1	-	1-21002-7	SCR,SHC(6-32x.50)CAM	91	
2	-	2-21000-7	SCR,SHC(8-32x.50)SCR BLK	90	
				89	
				88	
				87	
REF	-	2-22603-0	SCR,HEX HD(8-32x.31)FEED FINGER	86	
2	-	1-21000-3	SCR,SHC(4-40x.25)F ST GUIDE	85	
REF	-	22733-9	SCR,BHC(8-32x.50 SL)STRIPPER	84	
				83	
				82	
1	-	3-22603-1	SCR,HEX(10-32x.38)SG ADJ BL	81	
				80	
				79	
				78	
△ 3	2	-	463310-6	BLADE, STRIPPING (#22)	77
					76
					75
1	-	690603-1	SPRING, ASSIST	74	
1	-	23030-1	SCR,SKT CAP(6-32x.25)CP DSC	73	
					72
					71
					70

					70
					69
					68
					67
					66
					65
					64
					63
					62
					61
					60
					59
					58
					57
REF	-	694433-8	PAWL, FEED		56
					55
					54
					53
					52
1	-	811242-2	BUMPER, HOLDDOWN		51
1	-	690753-1	SPACER, TONKER		50
					49
1	-	690602-6	CAM, PRE-FEED 1.62 STROKE		48
					47
					46
1	-	690191-1	PLUG, NYLON		45
1	-	455673-1	RAM		44
1	-	690125-1	WASHER, LAMINATED		43
1	-	690124-1	WASHER, RAM		42
1	-	690686-2	BOLT, CRIMPER(5/16x1.00)		41
1	-	23241-6	BALL, STEEL		40
1	-	690170-1	SPRING, COMPRESSION		39
1	-	690142-3	DISC, INSULATION		38
1	-	354777-1	WIRE DISC, PLASTIC		37
1	-	22480-5	WASHER, SPRING		36
1	-	690212-1	POST, RAM		35
1	-	690786-1	SUPPORT, TERMINAL		34
1	-	462544-1	PLATE, BASE SPECIAL		33
					32
1	-	462543-1	BLOCK, SCREW SPECIAL		31
1	-	455689-1	BLOCK, STRIP GUIDE ADJ		30
1	-	318042-1	PLATE, STRIP GUIDE		29
					28
2	-	1-22284-0	SPRING, DRAG		27
1	-	690546-1	LEVER, DRAG RELEASE		26
1	-	240792-1	DRAG, TERMINAL		25
1	-	6-690504-2	GUIDE, STRIP (REAR)		24
1	-	690438-1	GUIDE, STRIP (FRONT)		23
					22
1	-	463756-1	GUIDE, SCRAP		21
1	-	904275-1	SUPPORT, SPRING		20
REF	-	462615-1	STRIPPER		19
1	-	904225-1	JAW ASSY		18
					17
					16
2	-	1-21989-4	SCR, SHLD		15
1	-	904274-1	DEPRESSOR		14
2	-	6-22281-3	SPRING, DEPRESSOR		13
1	-	6-22279-4	SPRING, SHEAR		12
1	-	1-690461-9	STOP, SHEAR (FRONT)		11
1	-	462548-3	HOLDER, SHEAR (FRONT) SP		10
1	-	462547-3	SHEAR, FLOAT (FRONT) SP		9
1	-	854014-6	ANVIL		8
					7
					6
1	-	904273-1	DEPRESSOR, SHEAR (FRONT) SP		5
1	-	238011-2	SPACER, BLOCK CRIMPER		4
1	-	854771-1	CRIMPER, INSULATION		3
1	-	455888-6	SPACER, CRIMPER		2
1	-	1-456403-3	CRIMPER, WIRE		1



- △ 1 RECOMMENDED SPARE PARTS.
- △ 2 GREASE LIGHTLY.
- △ 3 ITEM NOT SHOWN
- △ 4 ATTACH ITEM 20 TO ITEM 33 USING ADHESIVE PART NUMBER 28998-6.
- △ 5 FEED ADJUSTMENT NECESSARY WHEN CHANGING TERMINAL.
- △ 6 SPECIAL INS CRIMP
- △ APPL SPEC 114-5108,114-5111,114-5094

QTY REQD PER ASSY	U/M	PART NO	DESCRIPTION	ITEM NO

QTY REQD PER ASSY	U/M	PART NO	DESCRIPTION	ITEM NO

LOC A
DIST 66

DIMENSIONS: INCHES
 TOLERANCES UNLESS OTHERWISE SPECIFIED:
 0 PLC ±.0005
 1 PLC ±.001
 2 PLC ±.002
 3 PLC ±.003
 4 PLC ±.004
 ANGLE: ±.001
 SURFACE TEXTURE: √

DWG: W.HOOVER 2/19/98
 CHK: C.ERISMAN 2/23/98
 APVD: T.ELBIN 2/23/98
 NAME: STRIPPER CRIMPER APPLICATOR
 SCALE: A1
 SIZE: 567949
 SHEET: 1 of 1
 REV: C

MATERIAL: - HEAT TREAT: -
 DATE: 5-2011 MY GB
 REVISION RECORD: ECR-11-11107
 DATE: 5-2011 MY GB

CUSTOMER ACCESSIBLE PRODUCTION DRAWING