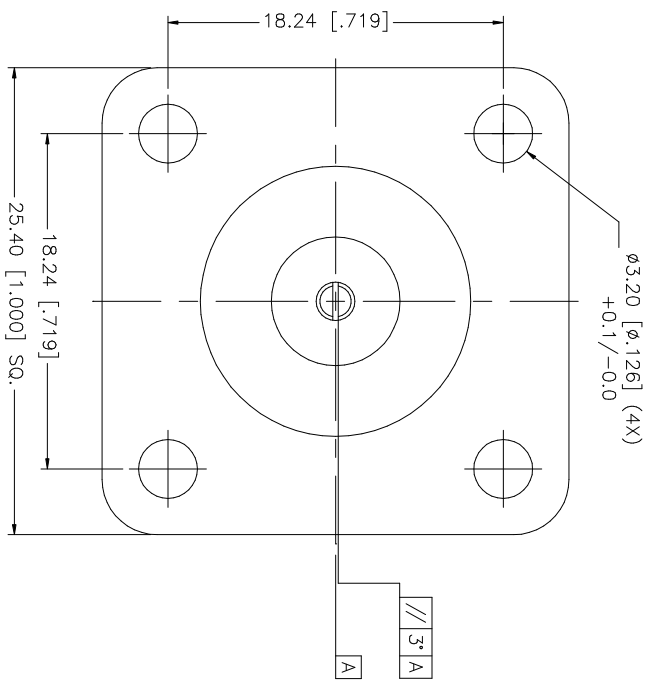
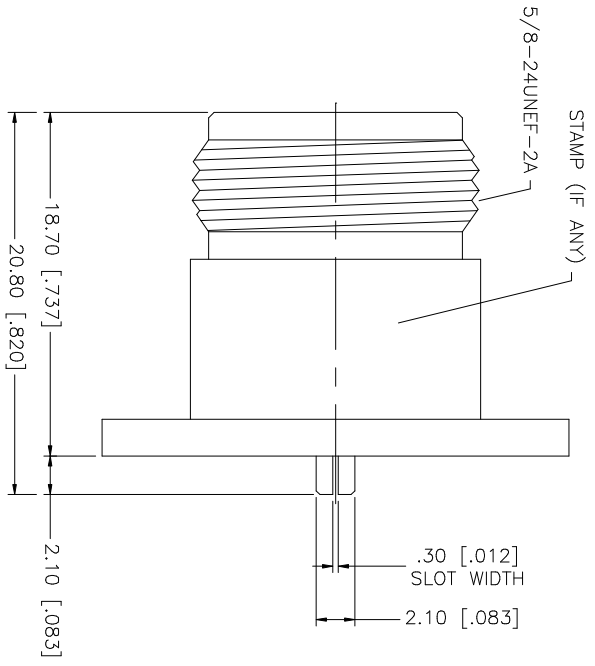


REV.	DATE	DESCRIPTION
A	06/05/03	UPDATE DRAWING FORMAT
B	07/28/06	ADD SLOT DIMENSION NOTE



NOTE:
 1. SLOT DIMENSIONS AS FOLLOWS:
 172121 - 0.012 SLOT
 172121-10 - 0.020 SLOT
 172121-11 - 0.028 SLOT
 172121-12 - 0.035 SLOT

UNLESS OTHERWISE SPECIFIED DIMENSIONS ARE IN MILLIMETERS DIMENSIONS IN [] ARE IN INCHES AND FOR CUSTOMER REFERENCE ONLY.	UNLESS OTHERWISE SPECIFIED DIMENSIONS ARE IN MILLIMETERS DIMENSIONS IN [] ARE IN INCHES AND FOR CUSTOMER REFERENCE ONLY.	UNLESS OTHERWISE SPECIFIED DIMENSIONS ARE IN MILLIMETERS DIMENSIONS IN [] ARE IN INCHES AND FOR CUSTOMER REFERENCE ONLY.	UNLESS OTHERWISE SPECIFIED DIMENSIONS ARE IN MILLIMETERS DIMENSIONS IN [] ARE IN INCHES AND FOR CUSTOMER REFERENCE ONLY.	UNLESS OTHERWISE SPECIFIED DIMENSIONS ARE IN MILLIMETERS DIMENSIONS IN [] ARE IN INCHES AND FOR CUSTOMER REFERENCE ONLY.	UNLESS OTHERWISE SPECIFIED DIMENSIONS ARE IN MILLIMETERS DIMENSIONS IN [] ARE IN INCHES AND FOR CUSTOMER REFERENCE ONLY.	UNLESS OTHERWISE SPECIFIED DIMENSIONS ARE IN MILLIMETERS DIMENSIONS IN [] ARE IN INCHES AND FOR CUSTOMER REFERENCE ONLY.
8						
7						
6						
5						
4						
3	CONTACT PIN	PHOS. BRONZE	GOLD	1		
2	INSULATOR	TEFLON	NATURAL	1		
1	BODY	BRASS	NEXCOTE	1		
	DESCRIPTION	MATERIAL	FINISH	QTY		

APPROVALS	DATE	PART DESCRIPTION
DRAWN G.R.S.	07/28/06	N PANEL RECEPTACLE JACK
CHECKED		
ISSUED		
SHEET 1 OF 1		

DO NOT SCALE DRAWING	CAD FILE	DWG. NO.	REV.	SIZE	SCALE
	C:/172/172121.DWG	172121.DWG	B	A	NA

Amphenol Connex

N PANEL RECEPTACLE JACK

172121