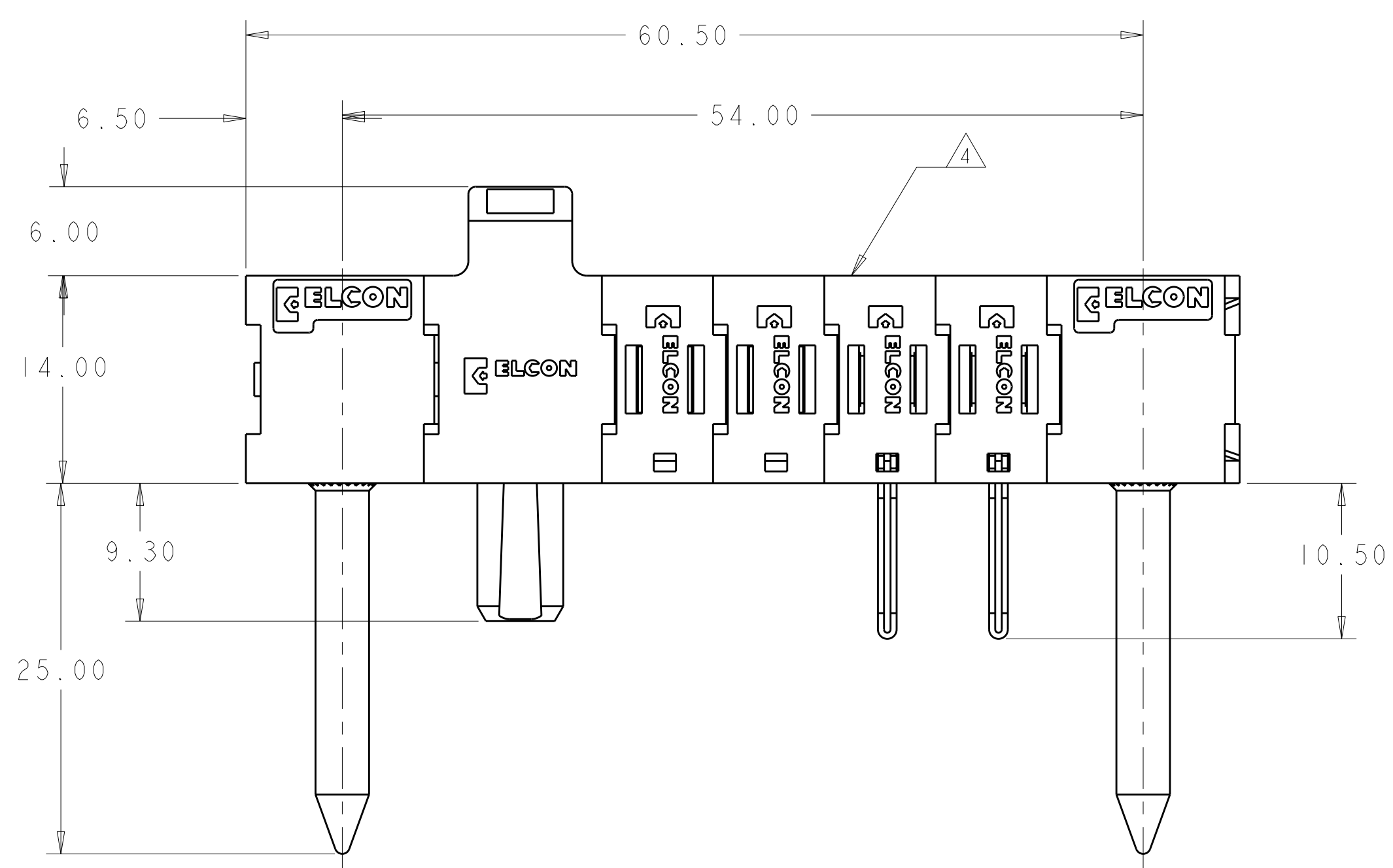


LOC	DIST	REV	DESCRIPTION	DATE	DWN	APVD
-	-	A	NEW RELEASE	14OCT2008	CR	PD
-	-	A1	REV PER ECO-10-001284	22JAN2010	RG	MS



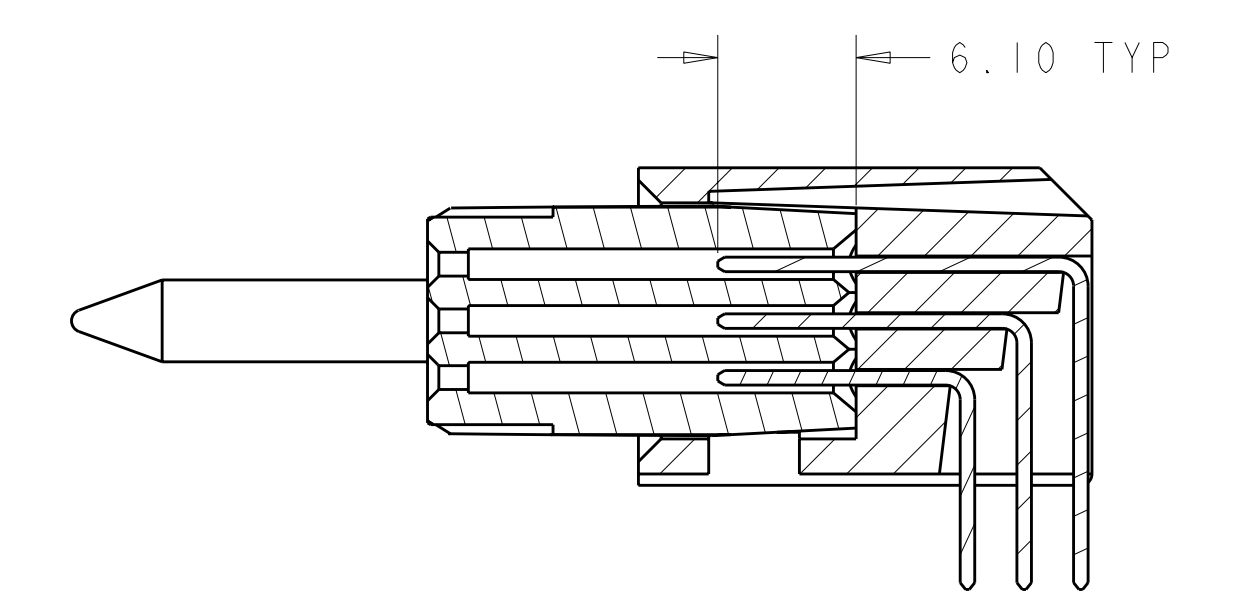
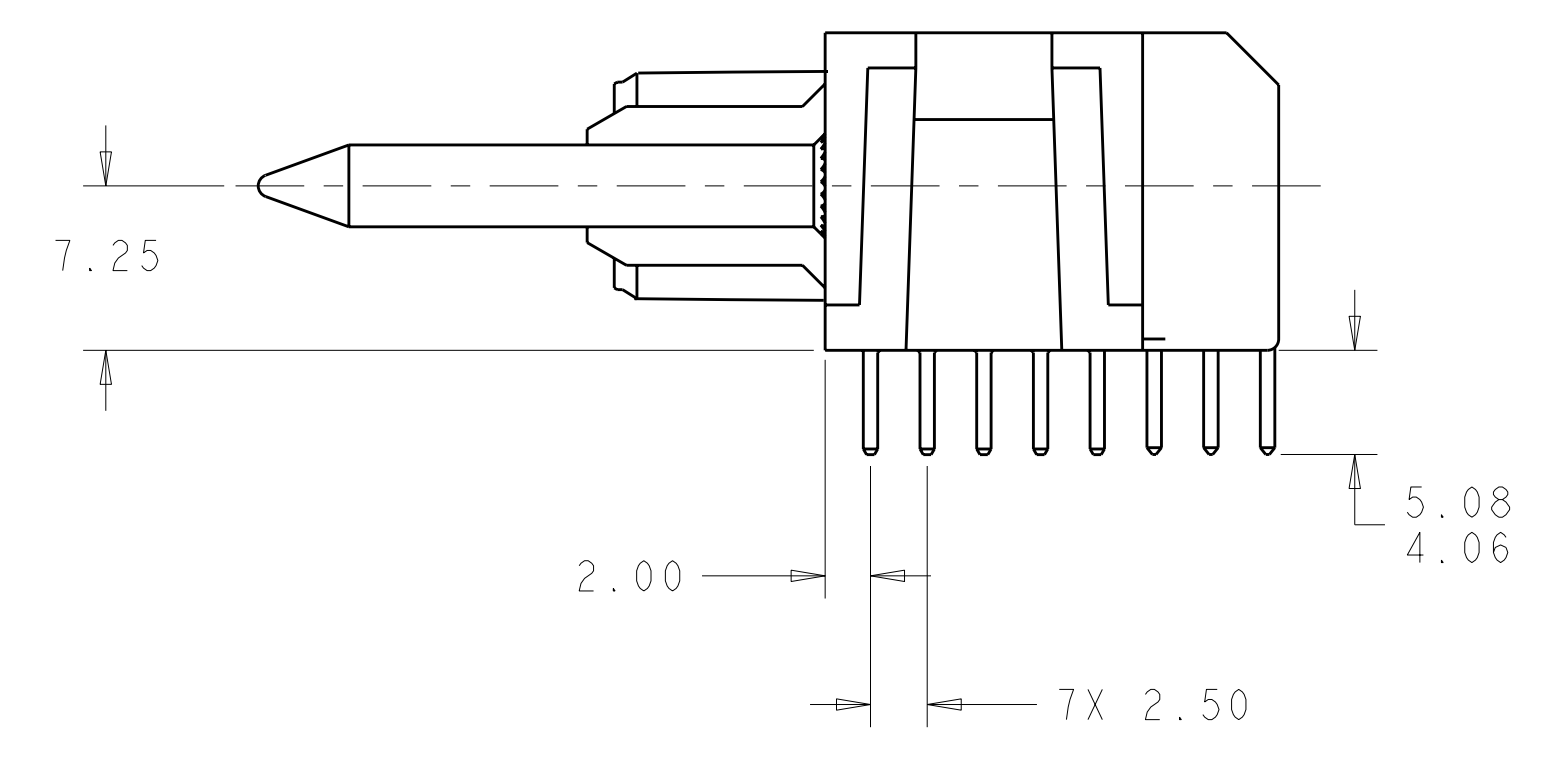
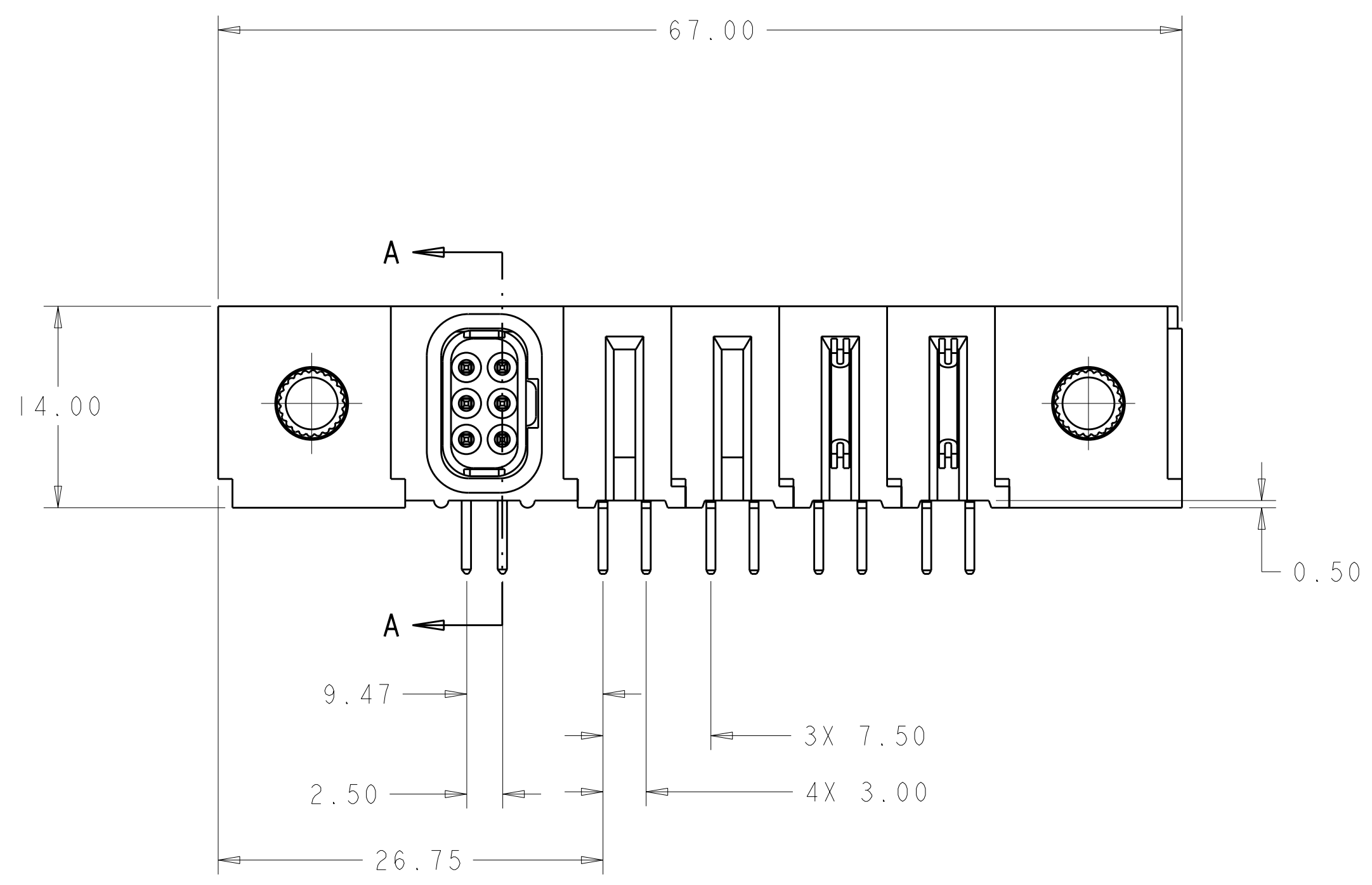
- PART NUMBER CHANGES AND OR DESIGN CHANGES AFFECTING ITEM INTERCHANGEABILITY REQUIRE PRIOR TYCO ELECTRONICS APPROVAL AND AUTHORIZATION BY REVISION TO THIS DRAWING.
- MATERIAL:
  - INSULATORS: THERMOPLASTIC, GLASS REINFORCED, COLOR: BLACK, UL94V-0 FLAMMABILITY RATED.
  - POWER CONTACTS: PHOSPHOR BRONZE ALLOY, COPPER ALLOY
  - SIGNAL CONTACT: PHOSPHOR BRONZE ALLOY
  - CROWN BAND: BERYLLIUM COPPER ALLOY
- FINISH:
  - CONTACTS: GOLD PLATE 0.76µm MIN. THK., OVER NICKEL 1.27µm MIN. THK
  - SOLDER TAILS: TIN 3.05µm MIN. THK. OVER NICKEL 1.27µm MIN THK.

△ ITEMS PROVIDED TO THIS SPECIFICATION TO BE PERMANENTLY IDENTIFIED PER THE FOLLOWING IDENTIFIER LABEL

YEAR    WEEK   

TYCO ELECTRONICS P/N      DATE CODE (e.g. 0106)

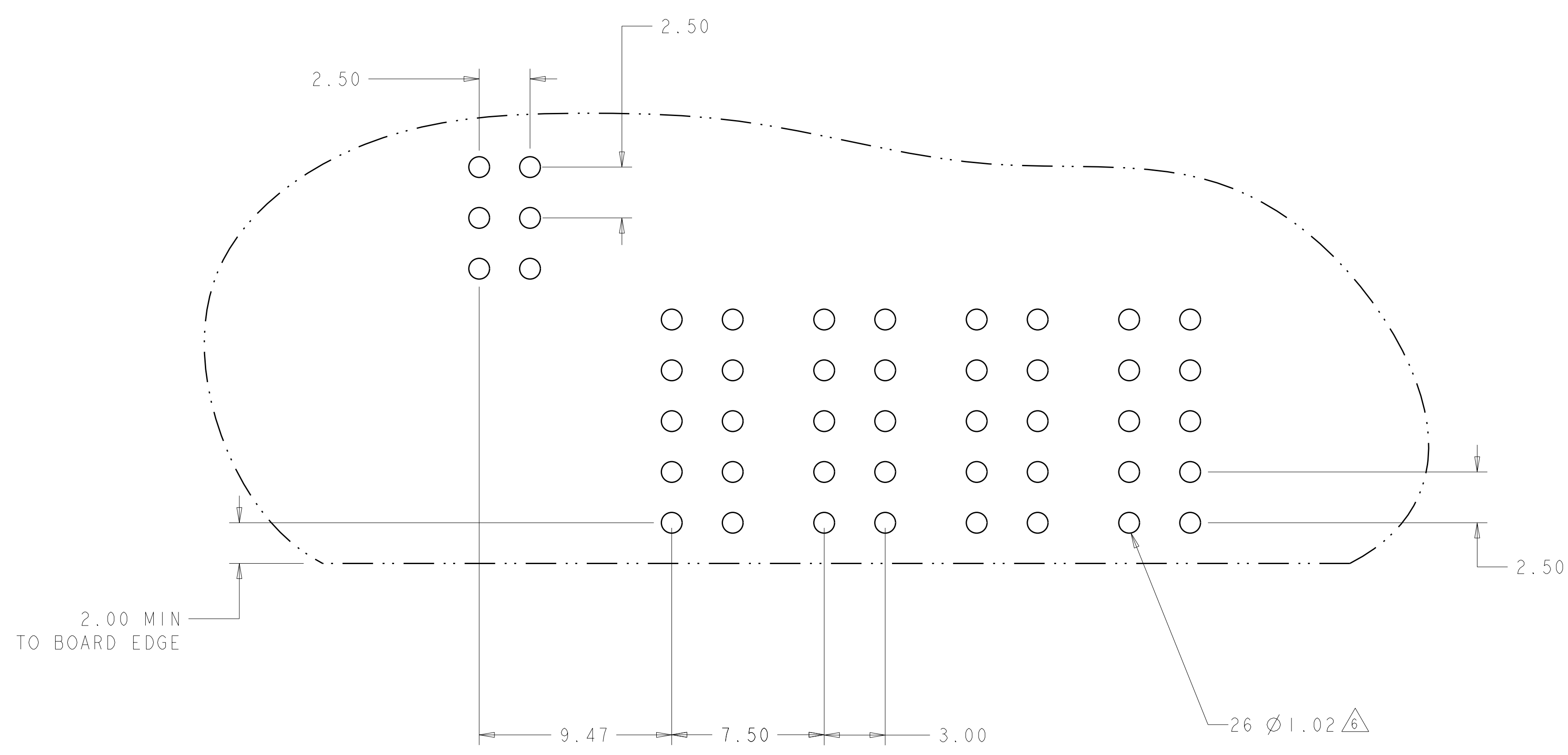
XXXXXXXX-X      XXXX



SECTION A-A

AS SHOWN		2085010-1	
DESCRIPTION		PART NO.	
DIMENSIONS: mm TOLERANCES UNLESS OTHERWISE SPECIFIED: 0 PLC ±.5 1 PLC ±.5 2 PLC ±.25 3 PLC ±.5 4 PLC ±.5 ANGLES ±.5 FINISH		DWN: C. ROHLER 14OCT2008 CHK: P. DAMATO 14OCT2008 APVD: M. PERCHERKE 14OCT2008 PRODUCT SPEC APPLICATION SPEC WEIGHT CUSTOMER DRAWING	
MATERIAL: - FINISH: -		Tyco Electronics Harrisburg, PA 17105-3608 NAME: - PRODUCT SPEC: - APPLICATION SPEC: - SIZE: A   00779   C=2085010 SCALE: 1:1 SHEET 1 OF 3 REV A1	

LOC	DIST	REV	DATE	BY	APPD
-	-	1	-	-	-
DESCRIPTION			DATE	DWN	APPD
SEE SHEET 1			-	-	-

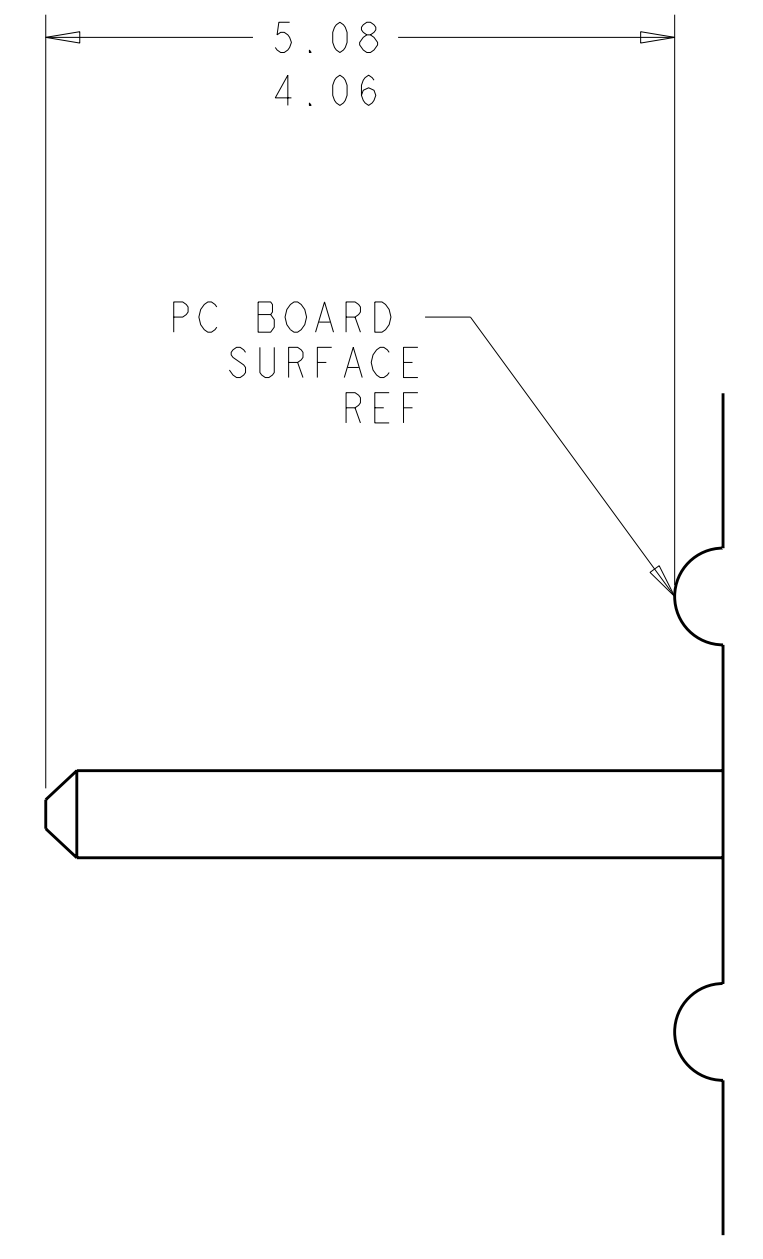


PRINTED CIRCUIT LAYOUT  
 SCALE 6:1

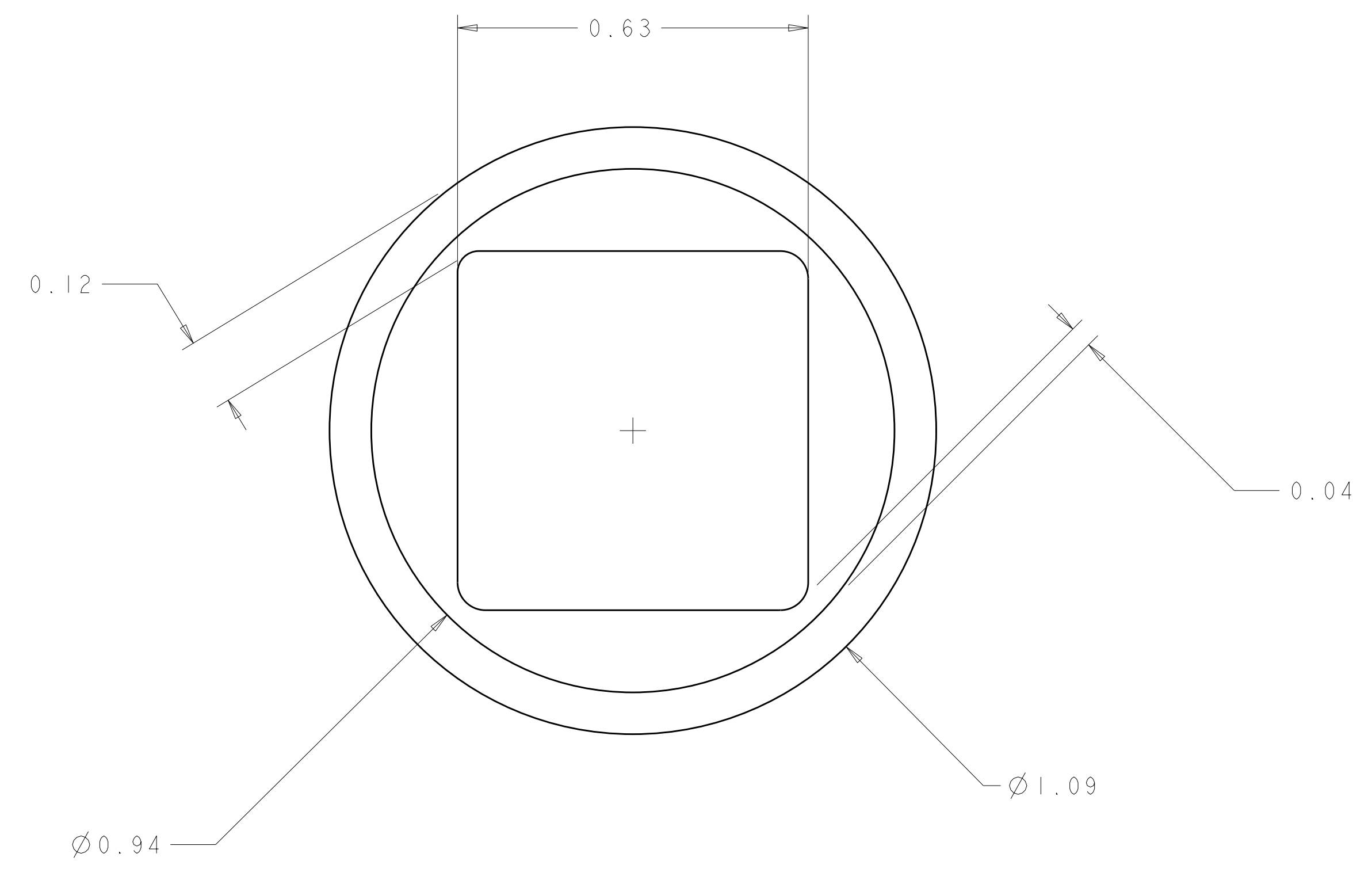
CONNECTOR	CATALOG MODULE #	QTY	SIZE NO.	CONTACT QTY	MATING PIN	MAX. CURRENT (PER CONTACT)	CONTACT SPACING	VOLTAGE RATING
PIN	FP105	2	8	4	1.25 X 7.00	35 amps	7.50	250 VOLTS
	FP104	2	8	4	1.25 X 7.00	3 amps	7.50	250 VOLTS
	FP315	1	22	24	.64 SQ.	3 amps	2.5	125 VOLTS
	FP507	2	GUIDE PIN, PASSIVE					

DIMENSIONS: mm 		TOLERANCES UNLESS OTHERWISE SPECIFIED: 0 PLC ±.5 1 PLC ±.5 2 PLC ±.25 3 PLC ±.5 4 PLC ±.5 ANGLES ±.5 FINISH		DWN C. ROHLER 14OCT2008 CHK P. DAMATO 14OCT2008 APVD M. PERCHERKE 14OCT2008		Tyco Electronics Harrisburg, PA 17105-3608	
MATERIAL - FINISH -		WEIGHT - CUSTOMER DRAWING		NAME - PRODUCT SPEC - APPLICATION SPEC -		SIZE CAGE CODE DRAWING NO. RESTRICTED TO A 100779 C-2085010 -	
SCALE 1:1 SHEET 2 OF 3 REV A1				CUSTOMER DRAWING			

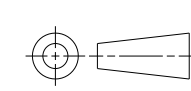
LOC		DIST		REVISIONS			
				DESCRIPTION	DATE	DWN	APVD
-	-	-	-	SEE SHEET 1	-	-	-



5. SOLDER TAIL DETAIL  
 SCALE 10:1



6. SOLDER TERMINATION AREA  
 SCALE 40:1  
 RECOMMENDED PRINTED CIRCUIT SOLDER HOLE  
 FINISHED HOLE:  $\varnothing 1.02 \pm .08$   
 DRILLED HOLE:  $\varnothing 1.15 \pm .013$   
 COPPER PLATE: .025 MIN  
 TIN PLATE: .008 MIN. (PER SURFACE)

<small>THIS DRAWING IS UNPUBLISHED. RELEASED FOR PUBLICATION 20. THIS IS SUBJECT TO CHANGE. THE USER ASSUMES ALL RESPONSIBILITY FOR THE ACCURACY OF THE INFORMATION SHOWN ON THIS DRAWING. CONTACT TYCO ELECTRONICS CORPORATION FOR THE LATEST REVISION.</small>		DWN C. ROHLER 14OCT2008	Tyco Electronics Harrisburg, PA 17105-3608	
		CHK P. DAMATO 14OCT2008		
		APVD M. PERCHERKE 14OCT2008		
DIMENSIONS: mm 		TOLERANCES UNLESS OTHERWISE SPECIFIED: 0 PLC $\pm .5$ 1 PLC $\pm .5$ 2 PLC $\pm .25$ 3 PLC $\pm .5$ 4 PLC $\pm .5$ ANGLES $\pm .5$ FINISH -	NAME PRODUCT SPEC APPLICATION SPEC WEIGHT CUSTOMER DRAWING	SIZE CAGE CODE DRAWING NO A100779C-2085010 SCALE 3:1 SHEET 3 OF 3 REV A1