

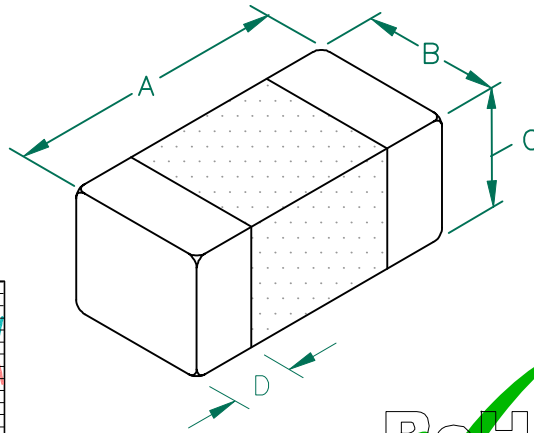


# MI0603L221R-11

**UNCONTROLLED DOCUMENT**

### PHYSICAL DIMENSIONS:

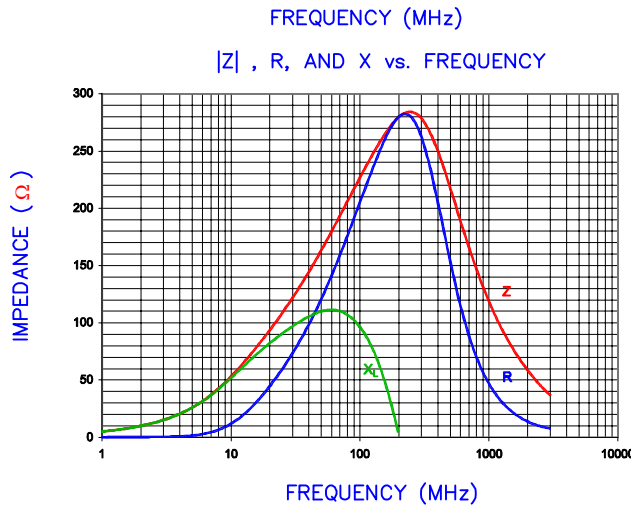
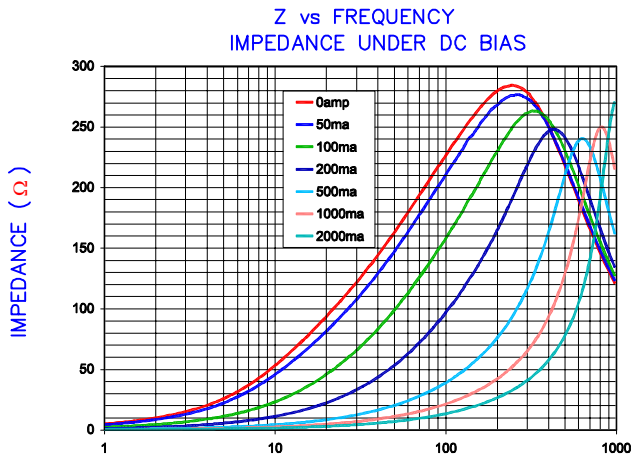
A	1.60 [.063]	+ 0.15 [.006]
B	0.80 [.031]	+ 0.15 [.006]
C	0.80 [.031]	+ 0.15 [.006]
D	0.36 [.014]	+ 0.15 [.006]



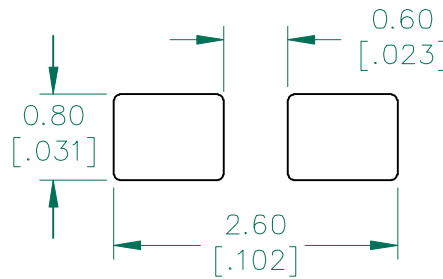
ELECTRICAL CHARACTERISTICS:			
Z @ 100MHz ( $\Omega$ )	DCR ( $\Omega$ )	Rated Current	
Nominal	220	0.065	
Minimum	165	0.050	
Maximum	275	0.080	2000 mA

NOTES: UNLESS OTHERWISE SPECIFIED

1. TAPED AND REELED per CURRENT EIA SPECIFICATIONS 7" REELS, 4000 PCS/REEL.
2. COMPONENTS SHOULD BE ADEQUATELY PREHEATED BEFORE SOLDERING.
3. TERMINATION FINISH IS 100% TIN.

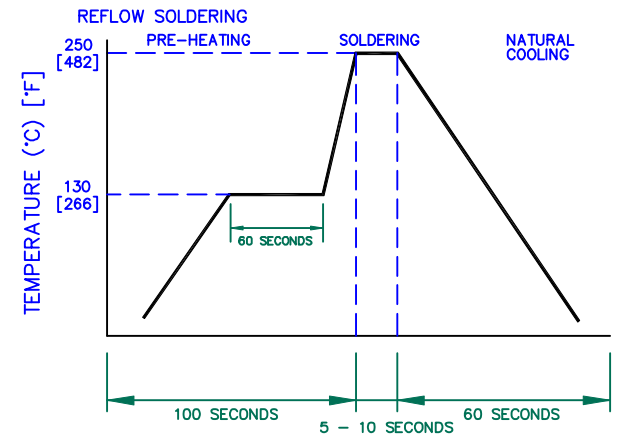


### LAND PATTERNS FOR REFLOW SOLDERING



(For wave soldering, add 0.762 [.030] to this dimension)

### RECOMMENDED SOLDERING CONDITIONS



DIMENSIONS ARE IN mm [INCHES].				THIS DOCUMENT CONTAINS INFORMATION WHICH IS PROPRIETARY AND CONFIDENTIAL TO STEWARD. NO PRODUCTION OR PUBLICATION OF THIS DOCUMENT IN WHOLE OR IN PART SHALL BE MADE WITHOUT WRITTEN AUTHORIZATION FROM STEWARD.			
				<b>Steward</b>			
PROJECT/PART NUMBER:		REV	PART TYPE:	DRAWN BY:			
MI0603L221R-11		A	CO-FIRE	JRK			
DATE:		SCALE:	SHEET:				
08/16/04		-	2 of 2				
REV	DESCRIPTION	DATE	INT	CAD #	TOOL #		
A	ORIGINAL DRAFT	08/16/04	JRK	MI0603L221R-11-A	-		