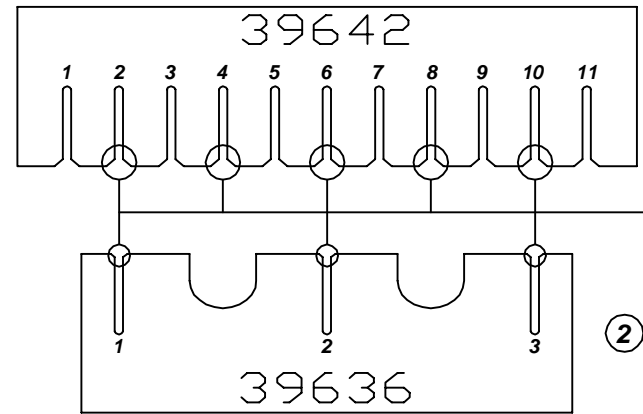
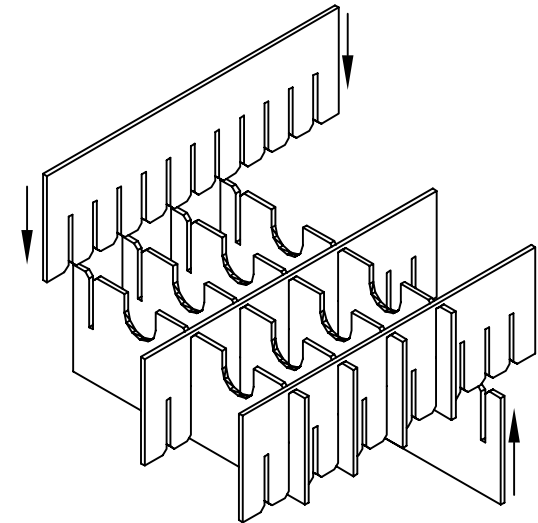
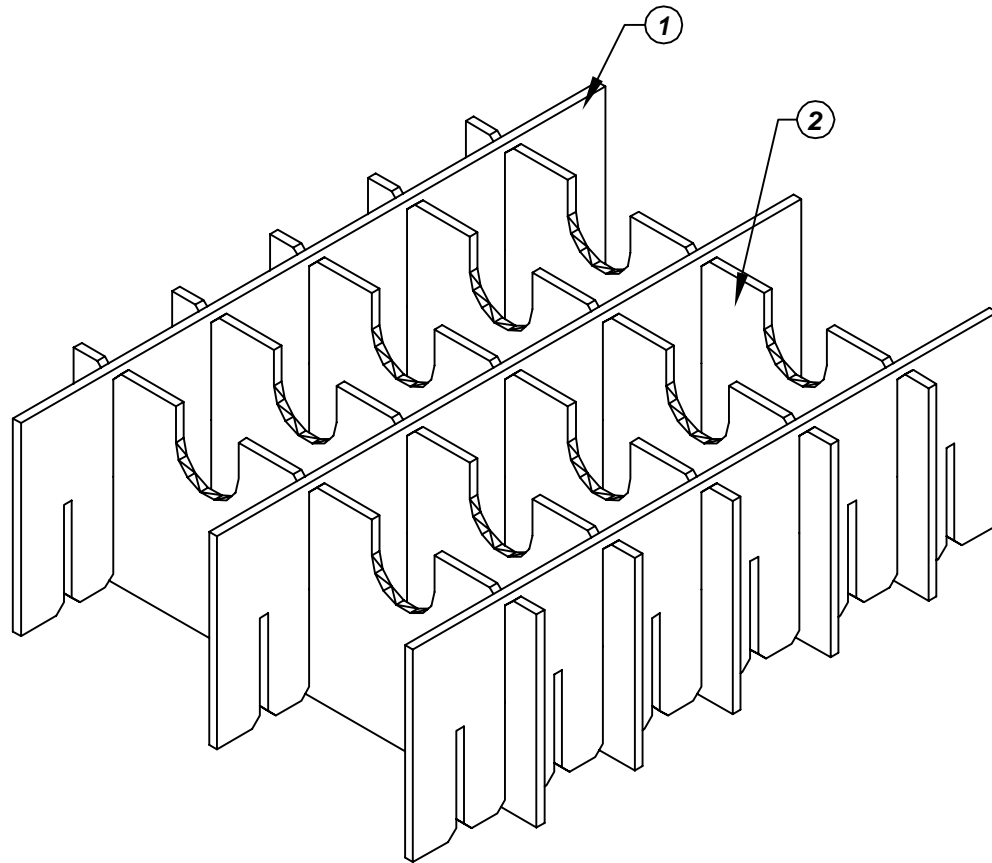


# Assembly Instructions for - 37201

Folded Long Partition



Folded Short Partition



Made in America

F/N ①	Part # 39642	Dimensions: 12" x 18-5/8"	Description: 406-HLP Long Partition	Qty: 3
F/N ②	Part # 39636	Dimensions: 12" x 14-3/4"	Description: 406/468-HSP Short Partition	Qty: 5

**37201 - 12 Cell Inplant Handler**  
**Cell Size - 5-7/8" x 6-1/4" x 2-7/8"**

Notes:  
 For use with the following storage container & lid:  
 37506 - Storage Container  
 37554 - Lid

PROTEKTIVE PAK  
 13520 MONTE VISTA AVENUE, CHINO, CA 91710  
 PHONE (909) 627-2578, FAX (909) 363-7331  
 ProtektivePak.com



DRAWING NUMBER  
**IPH-37201**

DATE  
 Nov.  
 2007