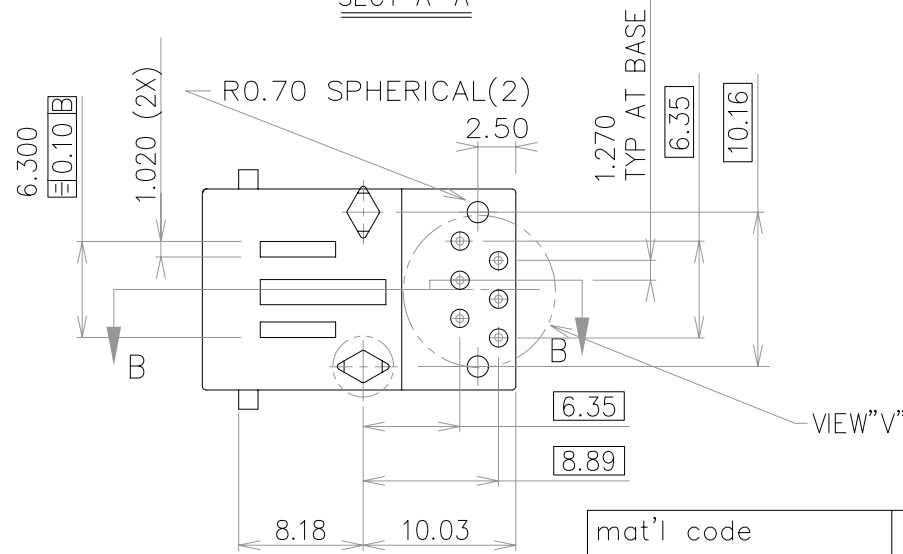
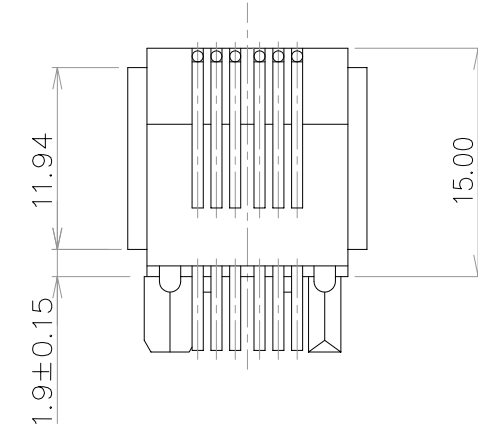
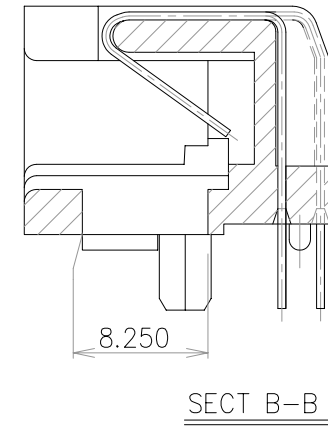
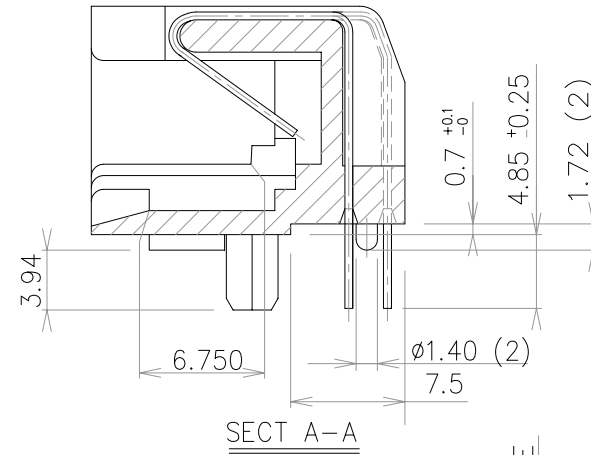
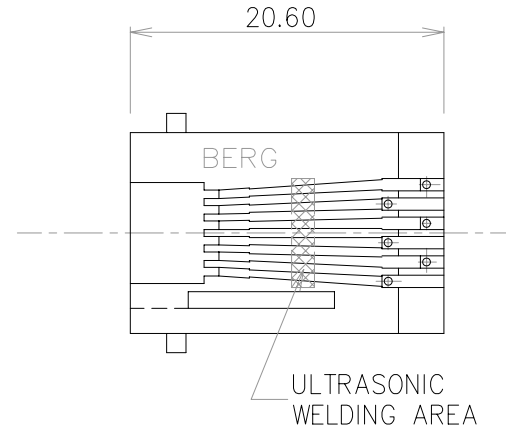
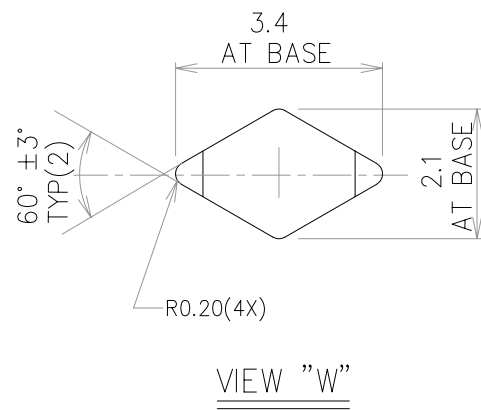
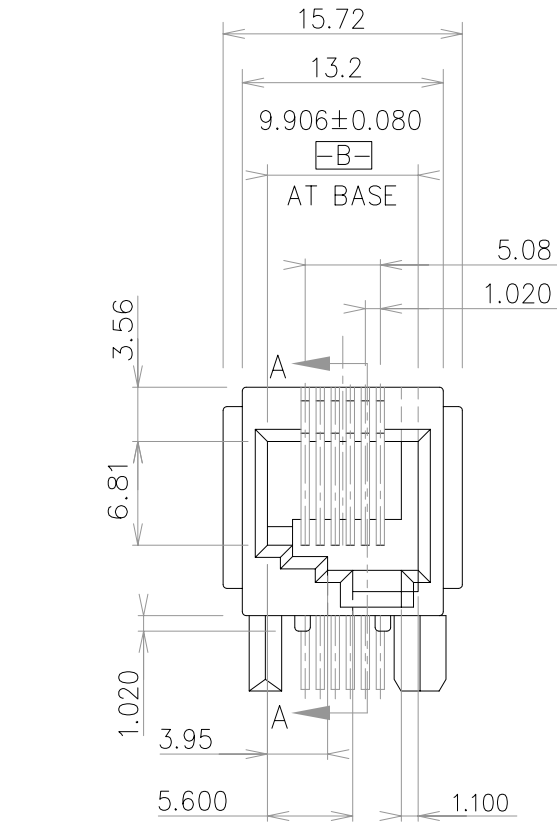


Tous droits strictement reserves. Reproduction ou communication a des tiers int sous quelque forme que ce soit sans autorisation ecrite du proprietaire. Property of c BERG ELECTRONICS. Droits de reproduction BERG ELECTRONICS by



All rights strictly reserved. Reproduction or issue to third parties in any for whatever is not permitted without written authority from the proprietor. Property of c BERG ELECTRONICS. Copyright BERG ELECTRONICS by



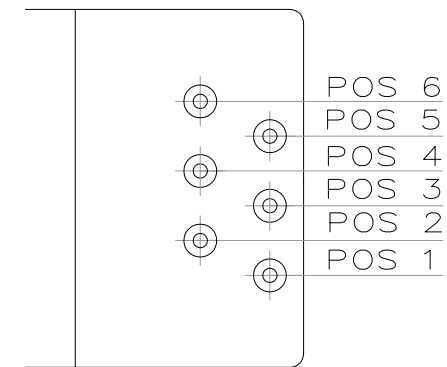
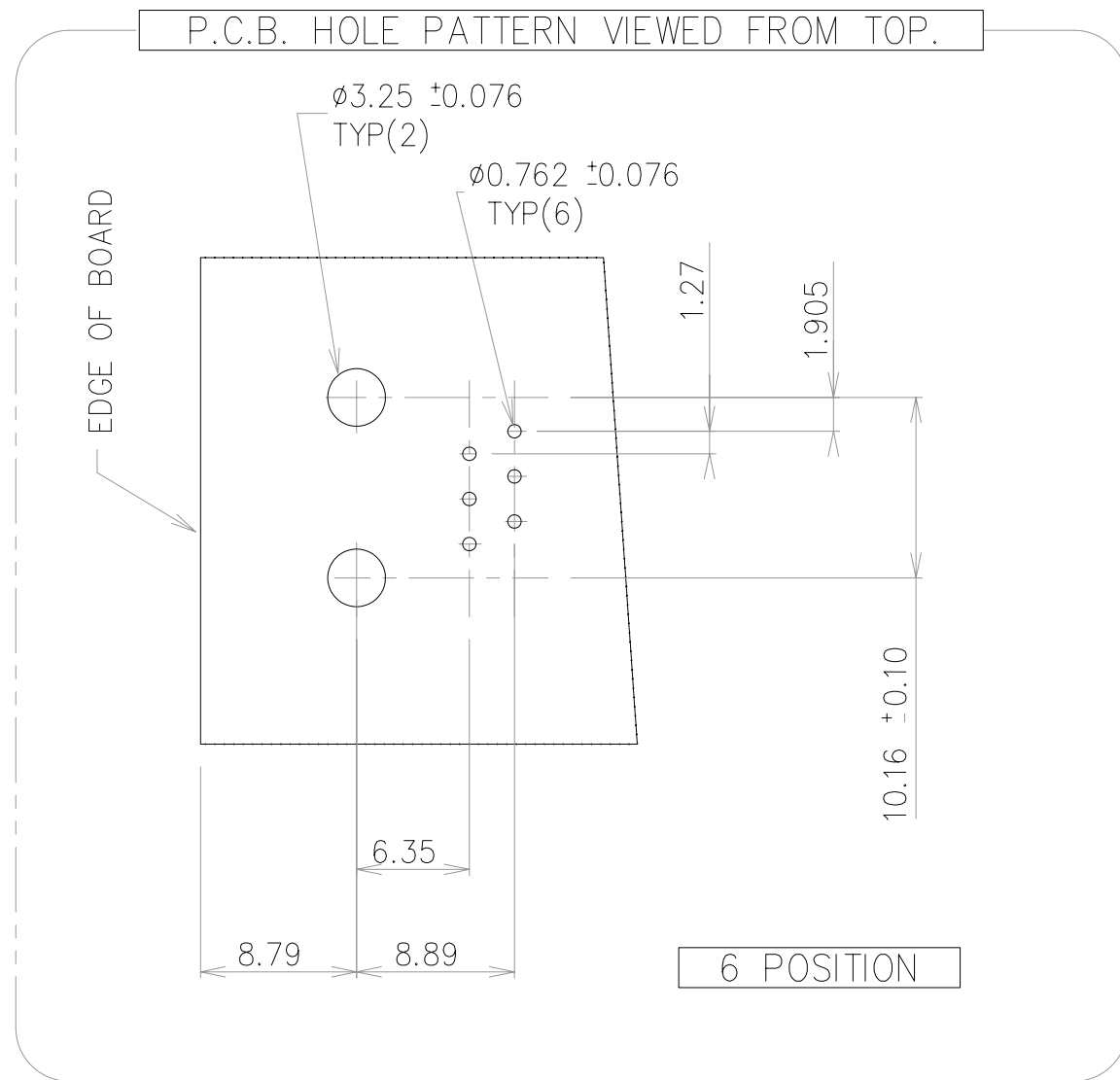
mat'l code				tolerance unless otherwise specified		CUSTOMER COPY		FCI www.fciconnect.com	
rev.	ecn no.	dr	date	linear	.0 ± 0.25	projection	title SNAP-IN MODULAR JACK ASS'Y 6-POS OFF-SET OPENING		
A	T40014	-	-		.00 ± 0.13				
B	H40194	-	03/18/94	angles	.000 ± 0.05	unit	product family		
C	T70043	CL	01/16/97		± 2°		mm/inch	size	code
D	T03-0443	WL	10/06/03	dr	KCHOU	01/26/94		-	
E	N05-0019	YS	01/27/05	enr	TONY CHIEN	01/26/94	dwg no.	sheet	
F	I09-0017	NPM	26/05/09	chr	NEBU PM	25/08/09	scale	1 OF 2	
				appd	SUDHIR V	25/08/09	2:1		
sheet	revision	F	F						
index	sheet	1	2						

Tous droits strictement réservés. Reproduction ou communication à des tiers int
 sous quelque forme que ce soit sans autorisation écrite du propriétaire.
 Property of c BERG ELECTRONICS.
 Droits de reproduction BERG ELECTRONICS by



All rights strictly reserved. Reproduction or issue to third parties in any for
 whatever is not permitted without written authority from the proprietor.
 Property of c BERG ELECTRONICS.
 Copyright BERG ELECTRONICS by

PRODUCT NUMBER	NUMSER OF POS.	LOADED POSITIONS	CONTACT PLATING
94729-002/-002LF	6	1,2,3,4,5,6	2μ" GOLD FLASH
94729-102/-102LF	6	1,2,3,4,5,6	30μ" GXT PLATED



POSITION NUMBER INDICATED (VIEW "V")

NOTES:

1. RECOMMENDED P.C.B THICKNESS 1.60 MM
2. HOUSING MAT'L: POLYESTER 30% G.F,
COLOR: CREAM WHITE
3. CONTACTS: PHOS BRONZE ALLOY UNS-C51000,
Ø0.460mm ROUND WIRE
PLATING SEE TABLE.
4. THE PRODUCT MEETS EUROPEAN UNION DIRECTIVES AND OTHER
COUNTRY REGULATIONS AS DESCRIBED IN GS-22-008
5. THE HOUSING WILL WITHSTAND EXPOSURE TO 260°C PEAK.
6. IF LF P/N PACKING MEETS GS-14-920 SPECIFICATION.

mat'l code				tolerance unless otherwise specified		CUSTOMER COPY		 www.fciconnect.com	
rev.	ecn no.	dr	date	linear	.0 ± 0.25	projection		title SNAP-IN MODULAR JACK ASS'Y 6-POS OFF-SET OPENING	
F					.00 ± 0.13				
					.000 ± 0.05				
				angles	± 2°			product family	
				dr	KCHOU 01/26/94	unit		size	code
				enr	TONY CHIEN 01/26/94	mm/inch		dwg no.	-
				chr	NEBU P.M 25/08/09	scale		A3	sheet
				appd	SUDHIR V. 25/08/09				
sheet	revision	F	F						
index	sheet	1	2						