

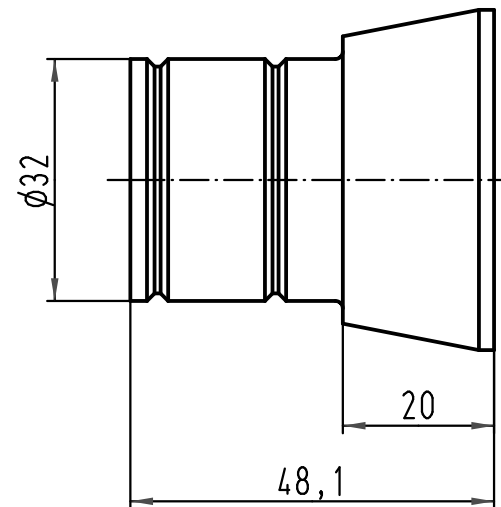
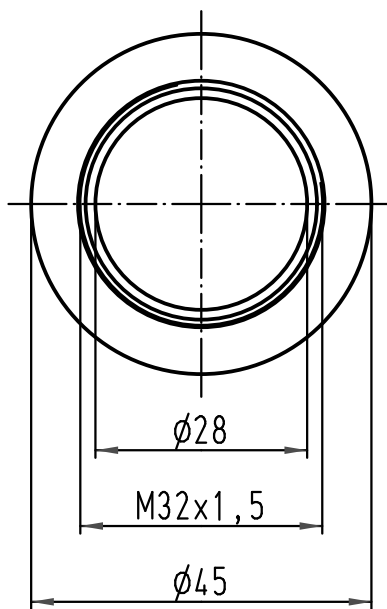
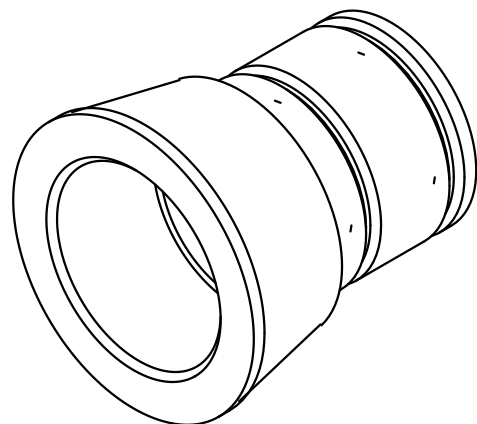
1 2 3 4 5 6

A

B

C

D



| | | | | | | |
|---|------|---|----------|------|--|--|
| All Dimensions in mm Original Size DIN A 4 | | Techn. Character. | | | Nicht tolerierte Masse/ Free size tolerances | |
| | | | Dat. | Name | Massstab/ Scale 1:1 | Wellrohradapter M32 <i>Thread adaptor M32</i> Han Easy Hood |
| | | Detail. | 27.04.07 | Bor | | |
| | | Insp. | | Be | | |
| | | Stand. | | | | |
| 412883 | | HARTING Electric GmbH & Co. KG D-32339 Espelkamp | | | | TB 11 30 000 9962 |
| Mod. | Dat. | Name | | | | |