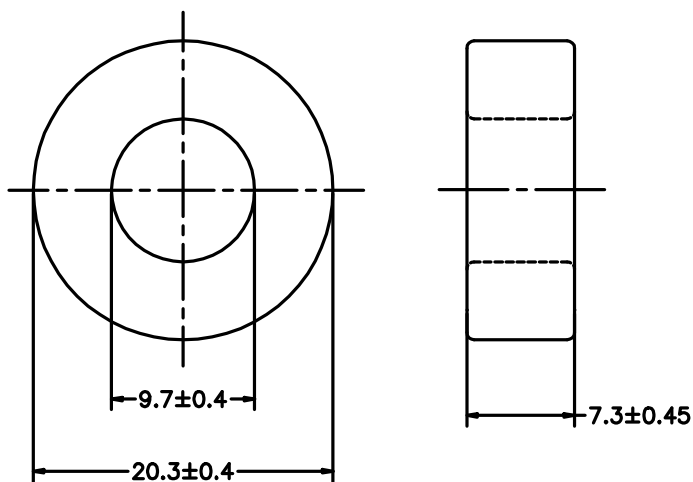


Product Drawing and Specification



Dimensions According To: IEC 205

| | | | | |
|-----------------------------------|-------------------------------------|-------------------------|-------------------------|-----------------------|
| $\Sigma 1/A : 1.30\text{mm}^{-1}$ | $\Sigma 1/A^2 : 0.04\text{mm}^{-3}$ | $A_e : 33.6\text{mm}^2$ | $V_e : 1465\text{mm}^3$ | $L_e : 43.6\text{mm}$ |
| Weight-8.11g/pcs | | | | |

Electrical Specifications

| Property | Specification | Unit | Test Conditions | | | |
|-----------------------------|---------------------------|-------------------|-----------------|------------|--------------|--------------------------|
| | | | Frequency | Induction | Temperature | Equipment ⁽¹⁾ |
| | | | (kHz) | (mT) | (°C) | |
| A_L | $121_{\pm 25}\%$ | nH/N ² | 10 | ≤ 0.1 | $25_{\pm 3}$ | HP-4284A |
| $\text{tg } \delta / \mu_i$ | $\leq 130 \times 10^{-6}$ | --- | 10^4 | | | HP-4285A |

(1): Or similar

OTHER SPECIFICATIONS

VISUAL REQUIREMENTS according to: GUV-4-0-0/1
High voltage insulation $\geq 1.5\text{kV}$

| | | | | | | |
|-----------|------|-------|---|----------------------------------|--|---|
| ROUGHNESS | UNIT | SCALE | PROJ EUROP | UN-D 28 | TOLERANCES: UNLESS OTHERWISE STATED |  |
| | mm | 2:1 |  | R_a in mikron(μm) | DIMENSION: $\pm 3\%$ ACC: TO DIN 406 TEIL 4 | UN-D 603 |

| | | | | |
|------------|---|----------------|-----------|--|
| 3C90: MA01 | CORE- FAMILY TX20/10/7-4C65 (Bare dimensions: 20*10*7) Toroid Coated with Epoxy 11 | 1 | 2005/3/30 | |
| 6TG : | | | | |
| 2005/3/30 | | 4341 020 0911_ | | |
| - - | | | | |
| - - | | | | |

| | | | | | |
|-------------|--------|----------|----------|-----|-----|
| Name: Emily | Check: | Approve: | 110 - 02 | 010 | A 4 |
|-------------|--------|----------|----------|-----|-----|

| | | |
|----|-----------------|---|
| TR | Date: 2005/3/30 | Property of Ferroxcube Dongguan Ltd. -China |
|----|-----------------|---|