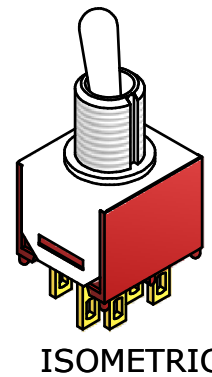
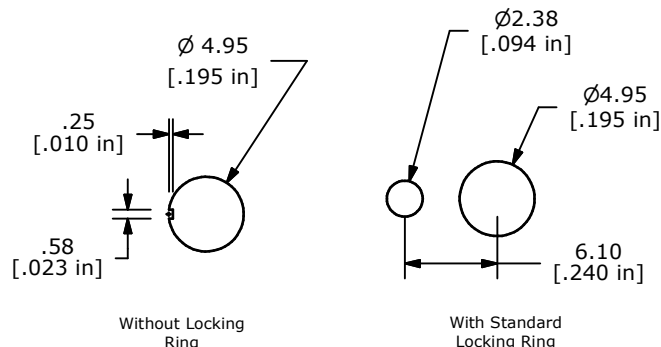
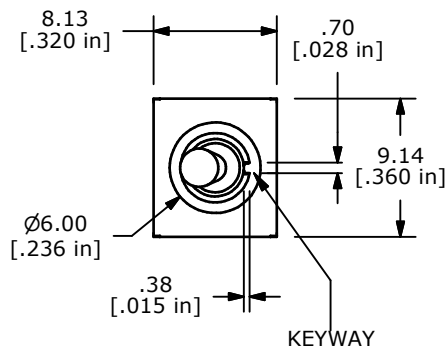
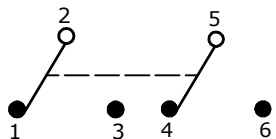


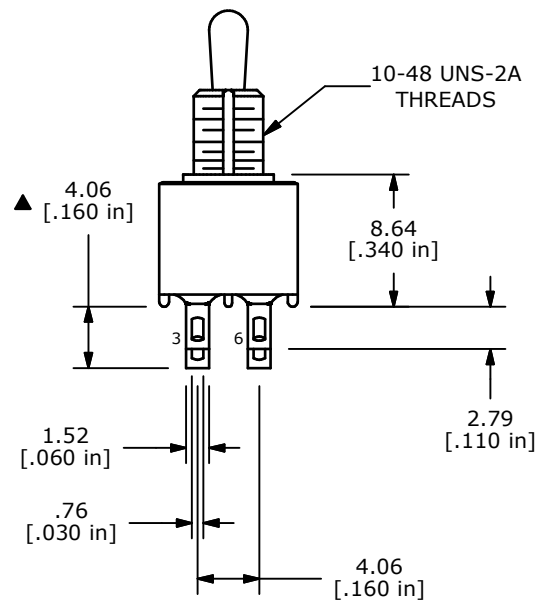
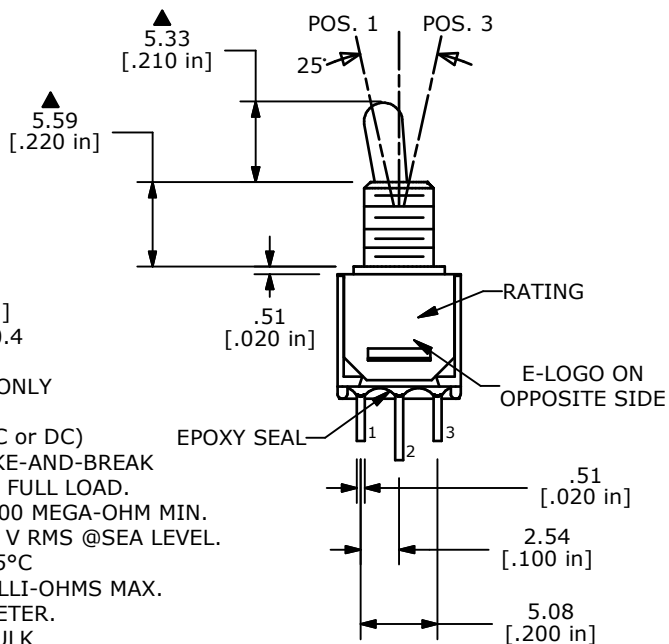
SWITCH FUNCTION		
POS. 1	POS. 2	POS. 3
ON	NONE	ON
2-3, 5-6	OPEN	2-1, 5-4



PANEL MOUNTING



CIRCUIT: DPDT



NOTE:

1. ALL DIMENSIONS IN MM [INCH]
2. GENERAL TOLERANCE: X.X=±0.4
X.XX=±0.25
3. TERMINAL NUMBERS FOR REF ONLY
- ▲ 4. PLATING MATERIAL: GOLD
5. RATING: 0.4VA MAX. @20V (AC or DC)
6. LIFE EXPECTANCY: 30,000 MAKE-AND-BREAK CYCLES AT FULL LOAD.
7. INSULATION RESISTANCE: 1,000 MEGA-OHM MIN.
8. DIELECTRIC STRENGTH: 1,000 V RMS @SEA LEVEL.
9. OPERATING TEMP.: -30°C to 85°C
10. CONTACT RESISTANCE: 20 MILLI-OHMS MAX.
11. ▲ DENOTES CRITICAL PARAMETER.
12. HARDWARE TO BE SHIPPED BULK
T200001 - HEXNUT - QTY 2
T200000 - LOCKWASHER - QTY 1
T100003 - LOCKRING - QTY 1
13. 2002/95/EC (ROHS) COMPLIANT.

C	18545	REMOVE FUNCTION MARK FROM BODY	6/1/09	BLR
B	18541	Part marking wqas ON-OFF-ON, incorrectly	5/27/09	BLR
A	18525	RELEASED FOR PRODUCTION	5/22/09	BLR
REV	PCR NO	DESCRIPTION	DATE	BY

THE INFORMATION CONTAINED IN THIS DOCUMENT IS PROPRIETARY TO E-SWITCH AND IS NOT TO BE COPIED OR TRANSFERRED



TITLE 200MDP1T2B3M1REH

SCALE	DATE	DR	DWG	REV
2:1	6/1/2009	BLR	ST221071	C