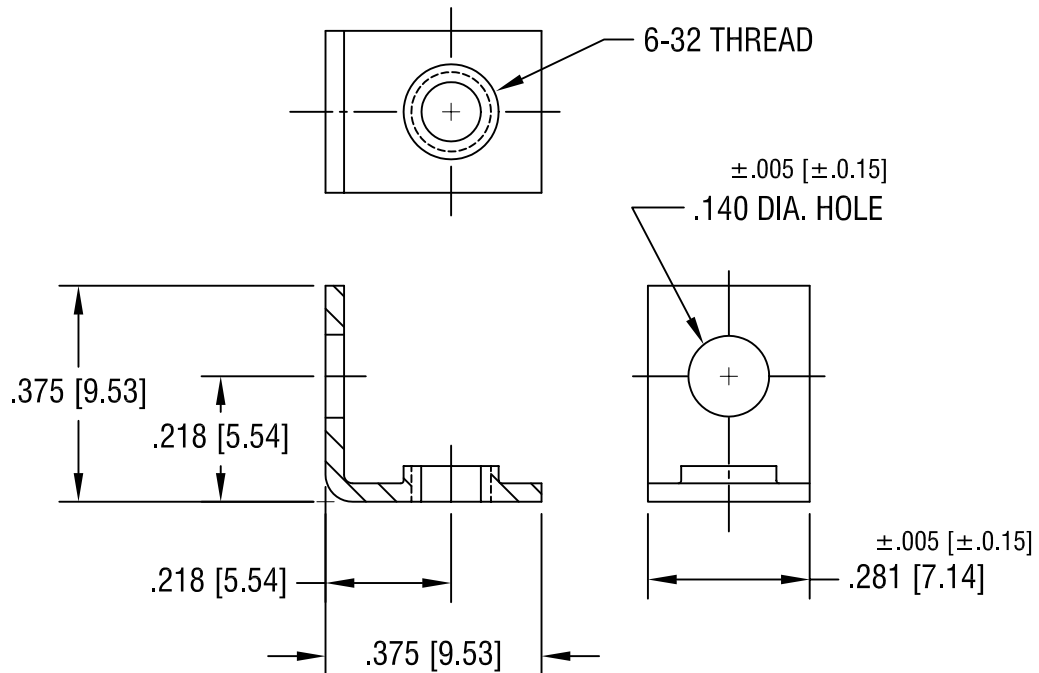


THIS DOCUMENT IS THE PROPERTY OF  
KEYSTONE ELECTRONICS CORP. AND  
SHALL NOT BE REPRODUCED, DISTRIBUTED  
OR USED AS A BASIS FOR MANUFACTURE  
WITHOUT PRIOR WRITTEN PERMISSION  
FROM KEYSTONE ELECTRONICS CORP.



**KEYSTONE ELECTRONICS CORP.**

ASTORIA, N.Y. 11105-2017

PART NAME

THREADED MOUNTING BRACKET

MATERIAL

.032 [0.81] TH'K BRASS

FINISH

NICKEL PLATE

DRN BY

BOONE

DATE

3.3.82

APPD

LN

SCALE

3X

TOLERANCES

INCH [MM]

DECIMAL  $\pm .010$  [ $\pm 0.25$ ]

ANGULAR  $\pm 1^\circ$

UNLESS OTHERWISE SPECIFIED

CODE

C

DWG NO.

634

5.8.02

CHANGE AS PER ECN 02-032

B

1.3.84

REVISED

A

DATE

DESCRIPTION

REV.