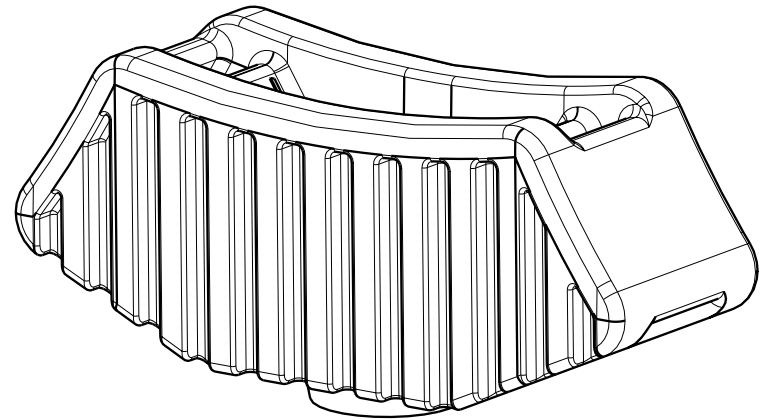
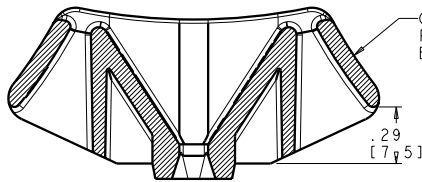


SECTION B-B

SEE DETAIL Z

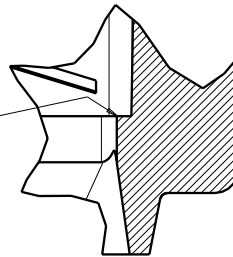


SCALE 2/1

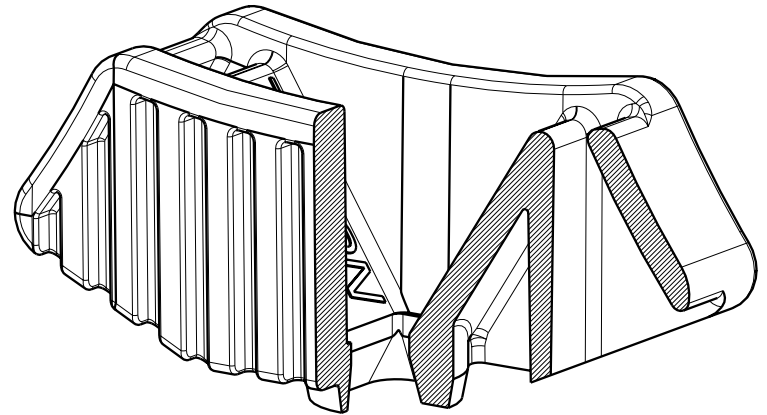


SECTION A-A

LEDGE RETAINS SECONDARY STRAP ARROWS ON BT120LD FOR EASE OF ASSEMBLY



DETAIL Z  
SCALE 4/1



SECTION C-C  
SCALE 2/1

FEATURES:

- \* STANDS OFF BUNDLE AWAY FROM FRAME RAIL PROTRUSIONS
- \* CRADLES HARNESS WITH BROAD SURFACE CONTACT TO MINIMIZE PINCHING & CRUSHING OF BUNDLES
- \* CENTER CRADLE WILL HANDLE BUNDLES RANGING FROM 1/4" TO 6"
- \* 2 OUTSIDE CURVES PROVIDE ADDITIONAL MOUNTING FOR UP TO 3 BUNDLES TOTAL
- \* SADDLE SNAPS ONTO BT120LD & BT120LLD BUTTON HEAD TIE STRAPS - LOCKING STRAPS ONTO FRAME RAIL
- \* ALLOWS STRAPS TO BE PREASSEMBLED TO FRAME RAIL PRIOR TO HARNESSES BEING BROUGHT IN
- \* INSIDE FUNNEL CROSS SECTION AIDS GUIDING THE STRAP BACK THROUGH THE FRAME RAIL & BUTTON HEAD
- \* PILOT BUSHING ELIMINATES STRAP CHAFFING WITH BURR EDGE OF HOLE
- \* MOUNTING HOLE DIAMETER RANGE = .440" TO .820"

INVENTORS

**HellermannTyton®**

ALL PROPRIETARY RIGHTS IN THE SUBJECT MATTER SHOWN ON THIS DRAWING ARE EXCLUSIVE PROPERTY OF HELLERMANNTYTON

name	date	city, state
GERRY GEIGER	10/30/98	JACKSON WI

REVISION

DR level	DATE	BY	DATE	ECN #	part level
B	5/30/00	GGG		001901	B

DIMENSIONS

Tolerance	.XXXX = ±0.0050
	.XXX = ±0.010
	.XX = ±0.02
	.X = ±0.1
	∠ = ±0.5
	unless otherwise specified
units	inches / MM

PART

number	MSBT120	phase	PRODUCTION
name	SADDLE MOUNT FOR BT120LD		
material	HIGH IMPACT, HEAT STABILIZED, NYLON 6/6 BLACK PER MTS1011		

DRAWING

FORMAT	AH version J	CAD	PRO-E	scale	1/1
computer file number	previous number				
drawn	G GEIGER	checked	approved		
date	11/19/98	checked	approved		
type	CUSTOMER		sheet 1 of 1		
number	MT2019006CST				