

|                              |                         |                          |  |
|------------------------------|-------------------------|--------------------------|--|
| THIS DRAWING IS UNPUBLISHED. |                         | RELEASED FOR PUBLICATION |  |
| © COPYRIGHT - By -           |                         | ALL RIGHTS RESERVED.     |  |
| PROJECT                      | PRJ-16-000909157        |                          |  |
| PART NO.                     | X-2308330-X             |                          |  |
| DESCRIPTION                  | FULL METAL HOODS SIZE 4 |                          |  |
| CUSTOMER                     | GENERAL MARKET          |                          |  |

| REVISIONS |     |                           |           |     |      |
|-----------|-----|---------------------------|-----------|-----|------|
| P         | LTR | DESCRIPTION               | DATE      | DWN | APVD |
|           | A2  | REVISED PER ECR-16-014891 | 20OCT2016 | KK  | GG   |

NOTES:

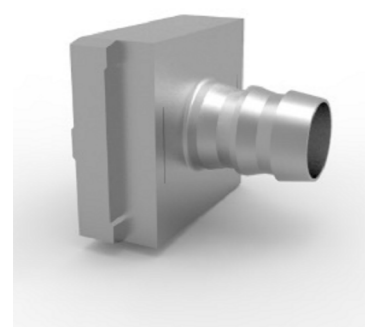
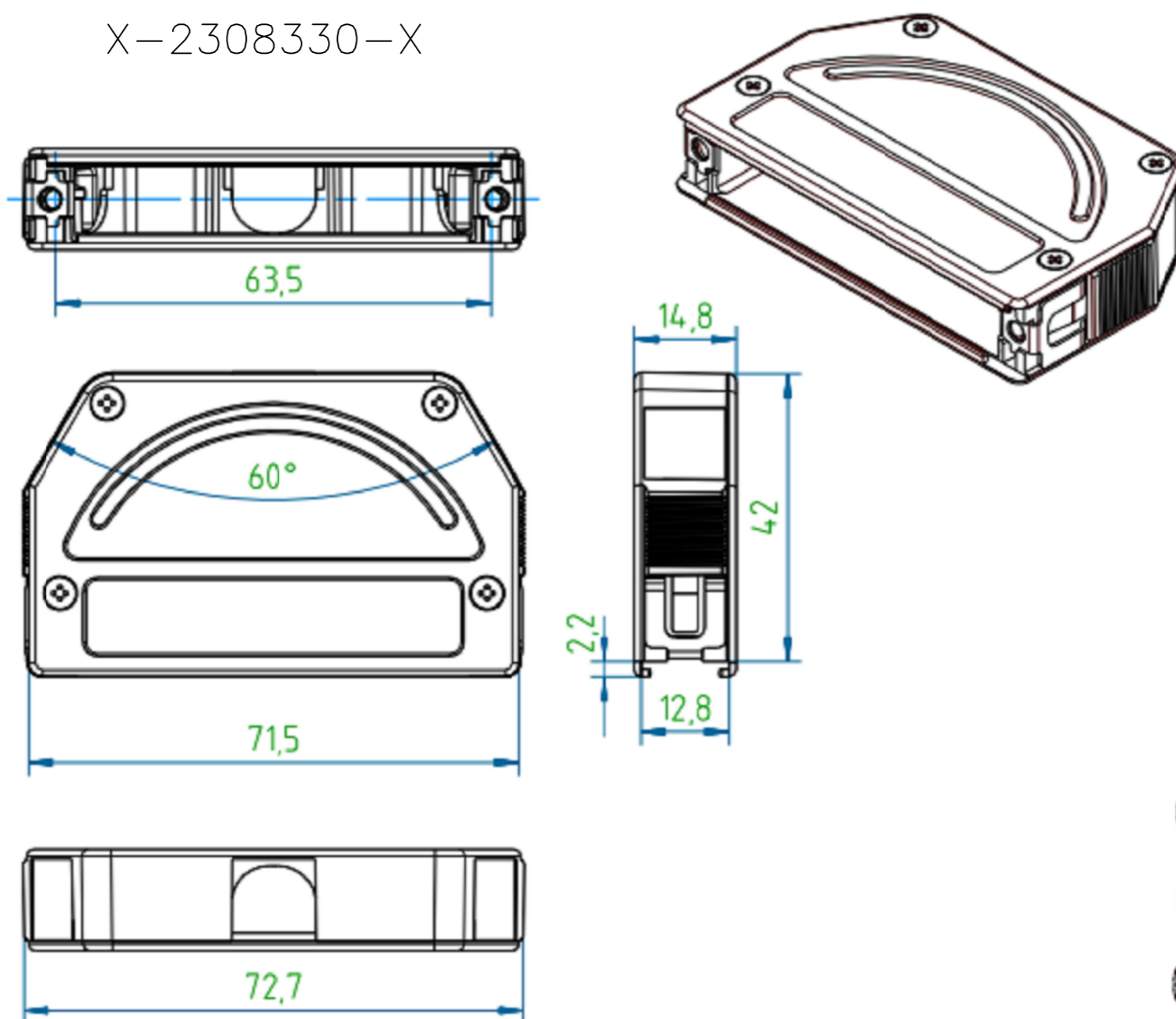
1. TEMPERATURE: -40°C TO +90°C.
2. STRAND DIAMETER OF CRIMP FLANGE: 2.7-8.7 mm.
3. CABLE DIAMETER WITH EXTERNAL CABLE CLAMP: 4-14 mm.
4. CABLE DIAMETER WITH INTERNAL CABLE CLAMP: d=4-11mm (FOR d=4-7 mm TURN CABLE CLAMP).
5. CABLE BUSHING FOR CABLE DIAMETER 4-9 mm.

\* CRIMP FLANGE PN \*-2308349-\* TO BE ORDERED SEPARATELY.

\* CRIMP BARREL TO BE USED IN COMBINATION WITH THE FLANGE PN \*-2308350-\* TO BE ORDERED SEPARATELY.

\* CABLE CLAMP SCREW VERSION PN \*-2308272-\* TO BE ORDERED SEPARATELY.

X-2308330-X



CRIMP FLANGE

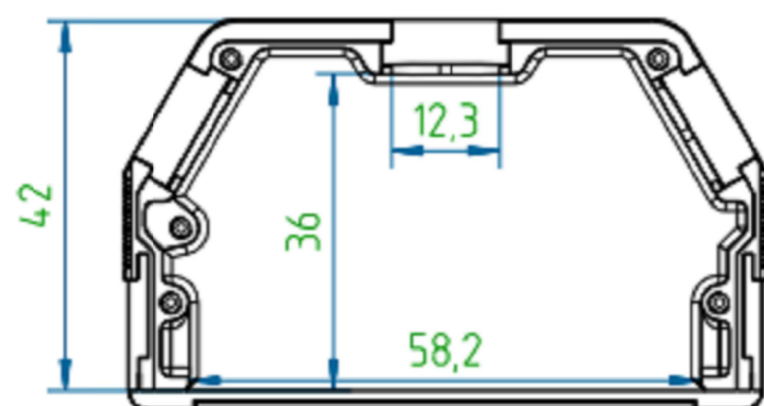


CRIMP BARREL

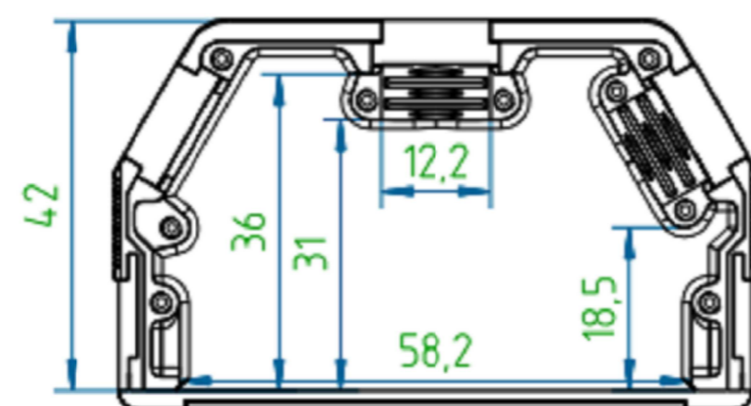


CABLE CLAMP

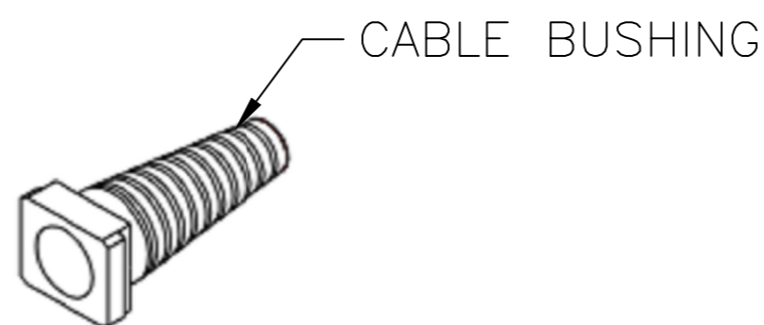
HOUSING 1



HOUSING 2



BLIND PLATE



CABLE BUSHING

| ASSY. PART NO. | DESCRIPTION        | SUB-PART DESCRIPTION POS.1 | POS. 3 | POS. 5 | POS. 6 | POS. 7 | WEIGHT, g |
|----------------|--------------------|----------------------------|--------|--------|--------|--------|-----------|
| 1-2308330-5    | FULL METAL HOOD4 5 | HOUSING 2                  | 1      | 2      | 2      | 3      | 92        |
| 1-2308330-4    | FULL METAL HOOD4 4 | HOUSING 2                  | 2      | 1      | 1      | 2      | 94        |
| 1-2308330-3    | FULL METAL HOOD4 3 | HOUSING 2                  | 1      | 2      | -      | 3      | 90        |
| 1-2308330-2    | FULL METAL HOOD4 2 | HOUSING 2                  | 2      | 1      | -      | 2      | 92        |
| 1-2308330-1    | FULL METAL HOOD4 1 | HOUSING 1                  | 2      | -      | -      | -      | 87        |

|        |                |                |  |
|--------|----------------|----------------|--|
| 9      | 1              | -              | SCREW M2.5x5 (CASE HARDENING STEEL, ZINC-PLATED)   |
| 8      | 4              | -              | SCREW M2.5x6.5 (CASE HARDENING STEEL, ZINC-PLATED) |
| 7      | SEE TAB. POS.7 | -              | SCREW M2.5x6 (CASE HARDENING STEEL, ZINC-PLATED)   |
| 6      | SEE TAB. POS.6 | -              | CABLE BUSHING (EPTR SANTOPRENE)                    |
| 5      | SEE TAB. POS.5 | -              | CABLE CLAMP (BAND STEEL, ZINC-PLATED)              |
| 4      | 2              | -              | CATCH SPRING (STAINLESS STEEL, RAW)                |
| 3      | SEE TAB. POS.3 | -              | BLIND PLATE (ZINC ALLOY, RAW)                      |
| 2      | 1              | -              | COVER (ZINC ALLOY, RAW)                            |
| 1      | 1              | SEE TAB. POS.1 | HOUSING (ZINC ALLOY, RAW)                          |
| SL NO. | QTY            | ASSY. PART NO. | DESCRIPTION (MATERIAL, FINISH)                     |

|   |  |                             |  |  |
|---|--|-----------------------------|--|--|
| THIS DRAWING IS A CONTROLLED DOCUMENT.                |  | DWN KIRAN K 02AUG2016       |  |  |
| DIMENSIONS: mm  |  | CHK GUNASEKHAR G 02AUG2016  |  |  |
| TOLERANCES UNLESS OTHERWISE SPECIFIED: DIN ISO 2768 m |  | APVD GUNASEKHAR G 02AUG2016 | NAME FULL METAL HOODS SIZE 4                   |  |
| 0 PLC ± -   |  | PRODUCT SPEC                | SIZE CAGE CODE DRAWING NO RESTRICTED TO        |  |
| 1 PLC ± -   |  | APPLICATION SPEC            | A2 00779 C=2308330 -                           |  |
| 2 PLC ± -   |  | WEIGHT                      | CUSTOMER DRAWING SCALE NTS SHEET 1 of 1 REV A2 |  |
| 3 PLC ± -   |  |                             |  |  |
| 4 PLC ± -   |  |                             |  |  |
| ANGLES ± -  |  |                             |  |  |
| FINISH  |  |                             |  |  |