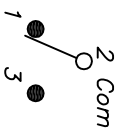


RECOMMENDED PCB LAYOUT



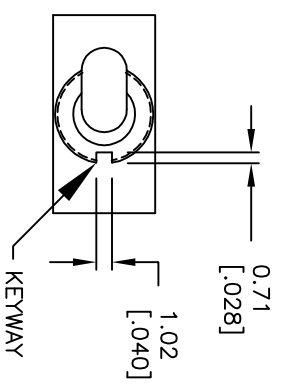
CIRCUIT: SPDT

SWITCH FUNCTION		
POS. 1	POS. 2	POS. 3
DN	OFF	COND
2-3	OPEN	2-1

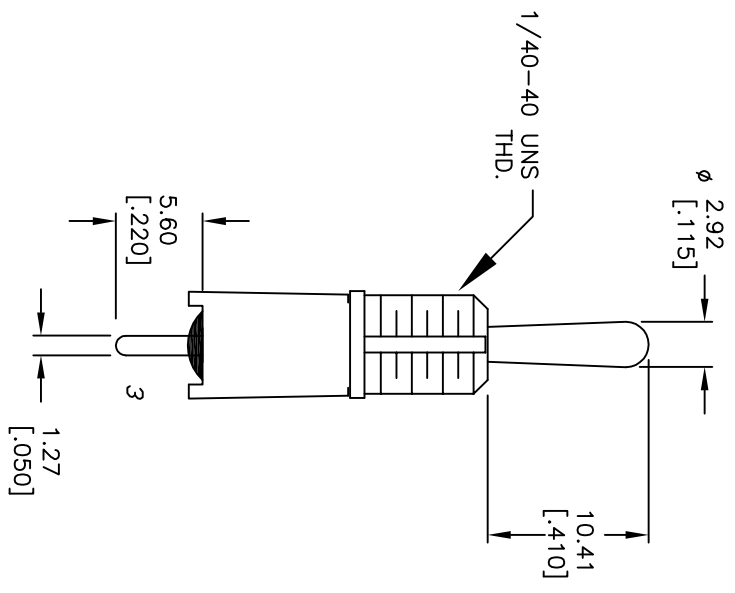
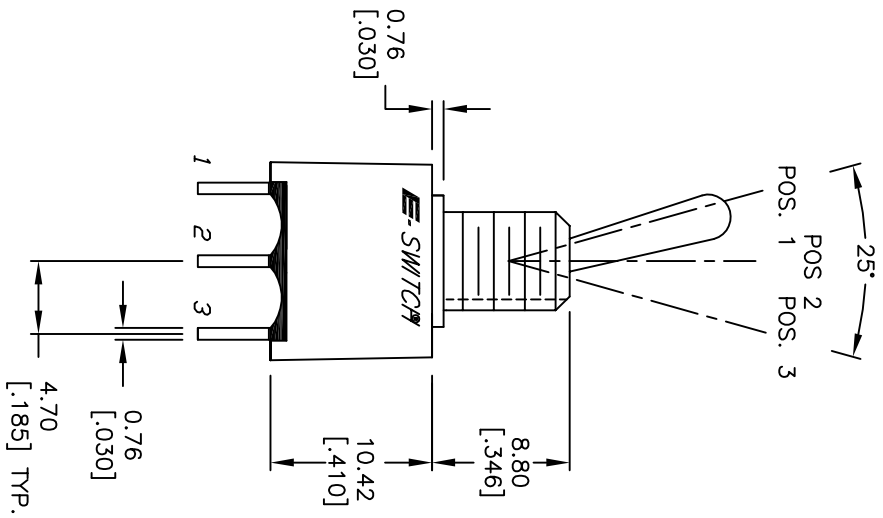
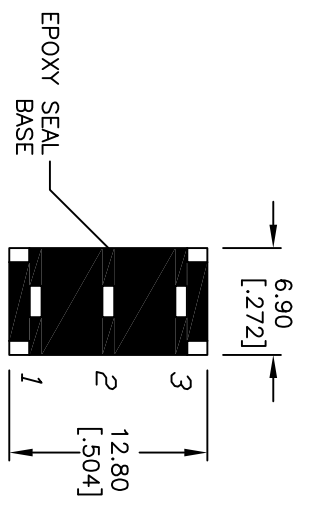
()=Momentary

NOTES:

1. ALL DIMENSIONS IN MM [INCH]
2. GENERAL TOLERANCE: X.X=±0.4
X.XX=±0.25
3. TERMINAL NUMBERS FOR REF ONLY
4. RATING: 5A @120VAC or 28VDC
2A @250VAC (w/RESISTIVE LOAD)
5. FIXED TERM. & MOVING CONTACT:
Cu Alloy w/Silver plate
6. ELECTRIC LIFE: 40,000 make-and-break cycles
at full load.
7. INSULATION RESISTANCE: 1,000 Mega-ohm min.
8. DIELECTRIC STRENGTH: 1,000 V RMS @sea level.
9. OPERATING TEMP.: -30°C to 85°C
10. DENOTES CRITICAL PARAMETER
11. 2002/95/EC (ROHS) COMPLIANT
12. HARDWARE TO BE SHIPPED BULK"
T100011-LOCK WASHER QTY-1
T100015-LOCK RING QTY-1
T100000-HEX NUT QTY-2



BOTTOM VIEW



REV.	ECN No.	DESCRIPTION	DATE	CHKD
B	17805	CHANGED BUSHING'S DIMENSIONS	10/25/07	BF
A	17700	RELEASED FOR PRODUCTION	9/20/07	BF

TITLE		SCALE	DATE	DR	DWG	REV
100AWSP5T1B1M2QH		2:1	10/25/07	BF	ST105004	B

THE INFORMATION CONTAINED IN THIS DOCUMENT IS PROPRIETARY TO E-SWITCH AND IS NOT TO BE COPIED OR TRANSMITTED