

PART NAME: KNOB

SCALE: 1:1

DATE: 7/25/94

DR. BY HD

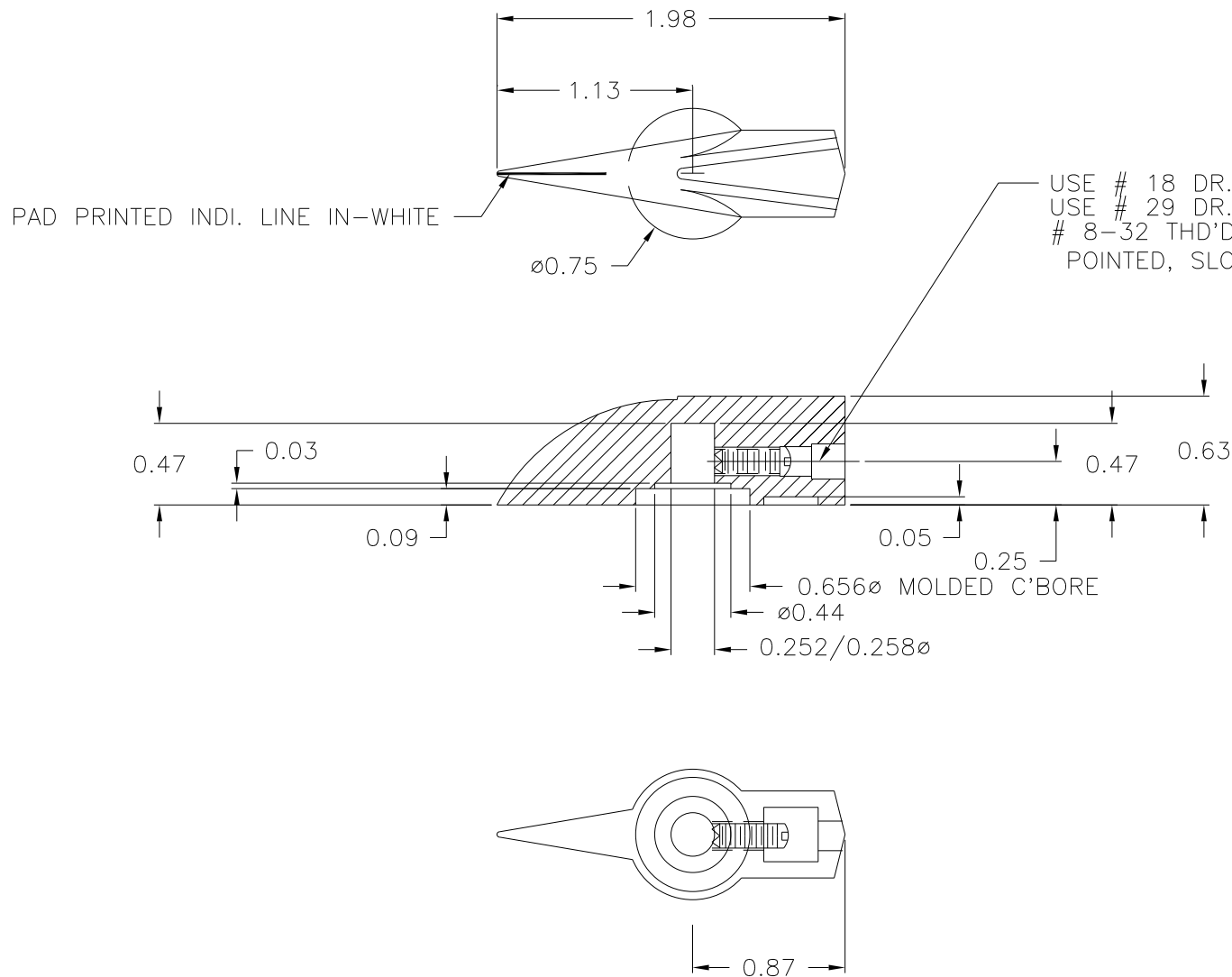
DAVIES MOLDING COMPANY  
CAROL STREAM, ILLINOIS 60188

P/N 2350AF

BASE PART 2350-01

SET SCREW I0022

THIS DRAWING IS THE PROPERTY OF DAVIES MOLDING COMPANY, IS SUBMITTED SOLELY AS A DESIGN OR ENGINEERING PROJECT.  
WE ACCEPT NO RESPONSIBILITY WHATSOEVER FOR THE PRACTICAL APPLICATION OF THE PIECES MADE TO THIS DESIGN.



USE # 18 DR. (.169 DIA), X 3/8 DEEP C'SINK.  
USE # 29 DR. (.140 DIA); # 8-32 TAP.  
# 8-32 THD'D. X 7/16 LG. CUP  
POINTED, SLOTTED TYPE, SET SCREW I0022 (1)

MARERIAL : #4311 PLENCO PHENOLIC (B41)  
COLOR : BLACK

TOLERANCES: UNLESS OTHERWISE SPECIFIED	DO NOT SCALE DRAWING			
DECIMALS: X.XXX ± .005 X.XX ± .015	MM: X.XX ± 0.15MM X.X ± 0.4MM	-	UPDATED TOOLBOX	JAM10/21/02
FRACTIONS ± 1/64	ANG. ± 1°	CHANGES		