

THIS DRAWING IS UNPUBLISHED.

RELEASED FOR PUBLICATION

ALL RIGHTS RESERVED.

© COPYRIGHT - By TE Connectivity

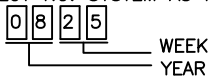
LOC HB

DIST -

REVISIONS

P	LTR	DESCRIPTION	DATE	DWN	APVD
B		1.UPDATE TE LOGO 2.ADD LINE IDENTIFICATION 3.TERMINALS TOLERANCE CLARIFICATION+VENT HOLE CHANGE	ECO-12-005726	06-APR-12	D.L BH.Y

- NOTES:
 1.TERMINAL DIMENSION IS NOT INCLUDING SOLDER TIP.
 2.LOT NO. SYSTEM AS FOLLOWING:

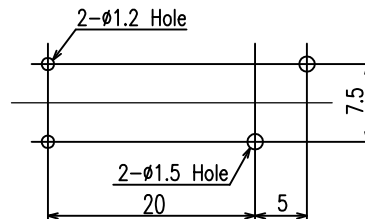


- 3.GENERAL TOLERANCE AS FOLLOWING:

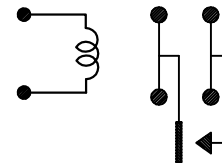
TOLERANCE	
0~0.99mm	±0.1
1mm~2.99mm	±0.2
3mm MIN.	±0.3

- ④ 4.FOR THE TIN-PLATING OF THE PINS:
 +0.1mm FOR WIDTH,THICKNESS AND DIAMETER.
 +0.5mm FOR LENGTH.

DRILLING DIAGRAM (BOTTOM VIEW)

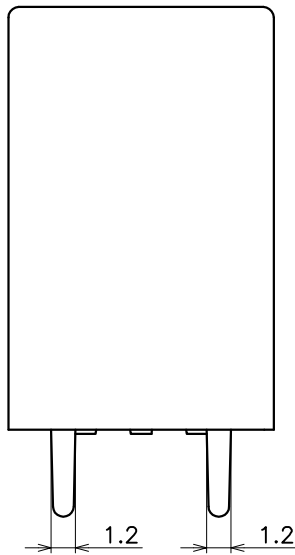
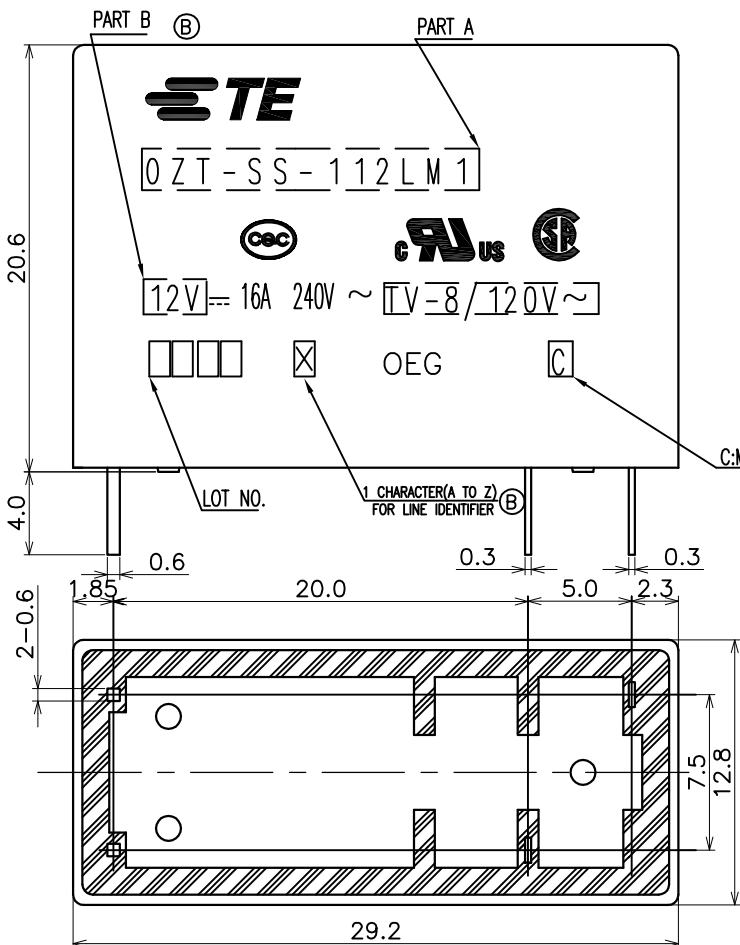


CIRCUIT DIAGRAM(2/1) (BOTTOM VIEW)



9-1419145-4	OZT-SS-112LM1	12V	OZT-SS-112LM1	107-79006	1
PART NO	DESCRIPTION	PART B	PART A	PACK. SPEC.	No.

INCOMBUSTIBILITY	TREATMENT	MATERIAL	DESCRIPTION	ITEM	
		UV RESIN	UV SEAL	16	
		EPOXY RESIN	SEAL	15	
		Cu ALLOY	HINGE SPRING	14	
		PBT	CASE	13	
		MW79	MAGNETIC WIRE	12	
UL94V-0		PET	BASE	11	
UL94HB		PBT	BOBBIN	10	
	SOLDER DIP	Cu ALLOY	COIL TERMINAL	9	
UL94V-0		PPS	CARD	8	
		Ag ALLOY	MOVABLE CONTACT	7	
		Ag ALLOY	STATIONARY CONTACT	6	
	SOLDER DIP	Cu ALLOY	MOVABLE SPRING	5	
	SOLDER DIP	Cu ALLOY	NO-TERMINAL	4	
		Ni PLATED	STEEL	CORE	3
		Ni PLATED	STEEL	ARMATURE	2
		Ni PLATED	STEEL	YOKE	1



THIS DRAWING IS A CONTROLLED DOCUMENT.

DIMSENSIONS: mm		TOLERANCES UNLESS OTHERWISE SPECIFIED:	
		0 PLC	±
		1 PLC	±
		2 PLC	±
		3 PLC	±
		4 PLC	±
MATERIAL		FINISH	
-		-	

DWN	Davey Liu
CHK	Banghua, Yu
APVD	Sunny Zhang
PRODUCT SPEC	-
APPLICATION SPEC	-
WEIGHT	-
CUSTOMER DRAWING	

NAME			
OZT-LMI CUSTOMER DRAWING			
SIZE	CAGE CODE	DRAWING NO	RESTRICTED TO
A3	00779	C=9-1419145-4	-
SCALE 4:1		SHEET 1 OF 1	REV B